
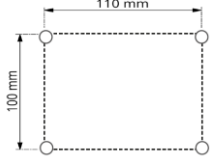

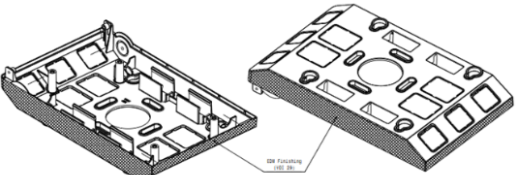
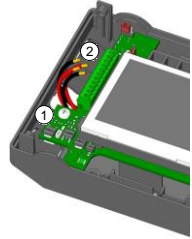


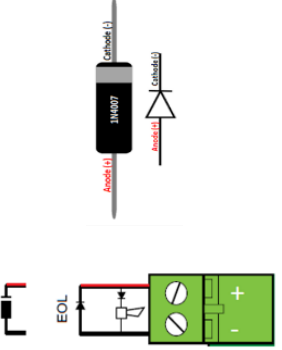
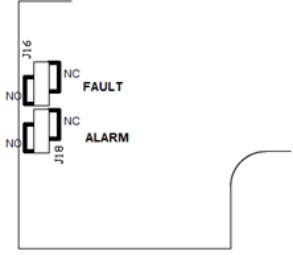



Morley LT-159	Panel Installation - Three Steps Process		Cable Entries	Field Cable Entry
	 <p>STEP 1 According to the figure, mark the required hole on the wall.</p>	 <p>STEP 2 All fixing point must be used. Use 50 mm long x 5 mm diameter screws to secure the backbox on the wall.</p>	 <ul style="list-style-type: none"> • Upper and lower cable entry for 15 mm gland • Side entry: 3 on each side (21 x 21 mm easy access) • Central entry prepared for 60 mm universal flush box 	
<p>Power supply and batteries are required for commissioning!</p> 	<p>STEP 3 Align the screws on the cover with the keyhole on the back box and lock the cover onto the backbox.</p> 		<p>Remove the keyholes ① and pass the cables ② through them.</p>	

System Setup and Cabling																																					
 <p>Sounder circuit End of line diode cathode marker on positive terminal.</p>	<p>③ LT-159</p> <table border="1"> <thead> <tr> <th>Ref.</th> <th>Description</th> </tr> </thead> <tbody> <tr><td>1</td><td>Power +</td></tr> <tr><td>2</td><td>Power -</td></tr> <tr><td>3</td><td>Fault NO/NC</td></tr> <tr><td>4</td><td>Fault C</td></tr> <tr><td>5</td><td>Loop A +</td></tr> <tr><td>6</td><td>Loop A -</td></tr> <tr><td>7</td><td>Loop B +</td></tr> <tr><td>8</td><td>Loop B -</td></tr> <tr><td>9</td><td>Sounder 1 +</td></tr> <tr><td>10</td><td>Sounder 1 -</td></tr> <tr><td>11</td><td>Alarm NO/NC</td></tr> <tr><td>12</td><td>Alarm C</td></tr> </tbody> </table> <p>Panel Connection</p>	Ref.	Description	1	Power +	2	Power -	3	Fault NO/NC	4	Fault C	5	Loop A +	6	Loop A -	7	Loop B +	8	Loop B -	9	Sounder 1 +	10	Sounder 1 -	11	Alarm NO/NC	12	Alarm C	<p>① Relay Setup</p>  <table border="1"> <tbody> <tr><td>② 5</td><td>Loop A +</td></tr> <tr><td>② 6</td><td>Loop A -</td></tr> <tr><td>② 7</td><td>Loop B +</td></tr> <tr><td>② 8</td><td>Loop B -</td></tr> </tbody> </table> <p>③ Batteries connected in two rows with polarity as shown.</p> <p>Relay Setup</p>	② 5	Loop A +	② 6	Loop A -	② 7	Loop B +	② 8	Loop B -	 <p>Setup and connections overview</p>
Ref.	Description																																				
1	Power +																																				
2	Power -																																				
3	Fault NO/NC																																				
4	Fault C																																				
5	Loop A +																																				
6	Loop A -																																				
7	Loop B +																																				
8	Loop B -																																				
9	Sounder 1 +																																				
10	Sounder 1 -																																				
11	Alarm NO/NC																																				
12	Alarm C																																				
② 5	Loop A +																																				
② 6	Loop A -																																				
② 7	Loop B +																																				
② 8	Loop B -																																				

i Additional and updated Informatio
The described features, specifications and product related information in this manual correspond to the date of issue (refer to date on the front page) and may differ due to modifications and/or amended Standards and Regulations of the System design, Installation and Commissioning.
For further information refer to documentation M-168.1-SERIE-LT-EN Version 2024

Panels Display Controls, Buttons and Passcode			
STATUS ICON	CONDITION / CONTROL	COLOR	DESCRIPTION
	FIRE	Red (blinking)	A fire condition has been detected (buzzer active)
		Red (fixed)	The user has acknowledged the event by buzzer silence
	SYSTEM FAULT	Yellow (fixed)	System fault
		Yellow (blinking)	General fault, buzzer is active
	GENERAL FAULT	Yellow (blinking)	General fault, buzzer is active
		Yellow (fixed)	The user has acknowledged the event by buzzer silence
	DISABLE	Yellow (blinking)	A device or zone is disabled
	TEST	Yellow (blinking)	A zone is in test mode
	SOUNDER SILENCE	Yellow (blinking)	The internal buzzer is silenced
		Yellow (fixed)	The sounders are silenced
	POWER FAULT (from 100 ... 230 Vac or batteries)	Yellow (blinking)	Mains fault
		Yellow (fixed)	Batteries fault
	POWER	Green (fixed)	The system is switched on and the power is supplied via the mains
PUSH BUTTON	DESCRIPTION	FUNCTION	
	RESET PANEL	Pressing the 'Reset Panel' button will reset the panel to return it to normal condition after an event	
	MUTE	Pressing the 'Mute' button or tapping on the touch screen, will silence the active panel buzzer	
	SILENCE SOUNDERS	Pressing the 'Silence Sounders' button will silence all Alarm sounders	
	EVACUATE	Pressing the 'Evacuate' button and later confirm the evacuation in the pop-up window, will start all the panel sounders output activation and the output configured for evacuation in the Cause and Effect I/O Matrix	
FUNCTION	EN 54 LEVEL	FACTORY DEFAULT PASSCODE	
Alarm, disabled, and faults display	Level 1	None	
Alarm and faults recognition	Level 1	None	
Disabled Zone/Point display	Level 1	None	
Mute, Evacuate	Level 1	None	
Silence/Resound Sounders only	Level 2	2121	
Reset Panel, Silence/Resound Sounders	Level 2	2222	
Enable/Disable menu	Level 2	2222	
Test menu	Level 2	2222	
Utility menu	Level 2	2222	
Programming menu	Level 3	33333333	

Quick Programming Procedure with Default General Alarm Functionality

-
- On the touch screen display press the arrow on the right and then press the gear icon at the top right:
-
- Insert password level 2, press enter then press on program icon, insert password level 3 and press enter to confirm.
-
- Select Panel configuration to change the language using the arrow down icon. Once completed, press the left arrow to come back to the previous screen.
-
- Select Autoprog, press the Lens icon to search for devices, at the end of the process save devices detected with the check mark. Press the left arrow to come back to the previous screen.
-
- Select Description to change both Zone and Point labels. This example refers to Zones: Press Zone icon, type the label using the virtual keyboard and confirm with enter. The same applies to Points.
-
- Return to the Configuration menu using the left arrow and set Date and Time. The example shares how to change the Date: select the Date icon, scroll up and down the day, month and year values then confirm with the check mark. To change Time, follow the same process.