

# METALCLAD PLUS™

## Connected Power 2 Gang Switchsocket outlet



# POWERING THE FUTURE



### PART NUMBERS

CXP10780GALV, CXP10780

### STANDARDS AND APPROVALS

Low Voltage Directive (2014/35/EU),  
EMC Directive (2014/30/EU),  
RoHS Directive (2011/65/EU) and amendment RoHS  
Directive (EU) 2015/863  
BS 1363-2:2016 + A1:2018;  
IEC 60884-1:2002, AMD1:2006, AMD2:2013  
EN 62479: 2010;  
EN 50663: 2017;  
ETSI EN 301 489-1 V2.2.3;  
ETSI EN 301 489-17 V3.2.4;  
EN 55032: 2015/A11:2020;  
EN 55035: 2017/A11:2020;  
EN IEC 61000-3-2:2019;  
EN 61000-3-3: 2013+A1:2019;  
EN IEC 61000-6-1:2019;  
IEC 61000-6-1:2016;  
EN 61000-6-3:2007+A1:2011;  
IEC 61000-6-3:2010;  
EN 300 328 V2.2.2;  
IEC 60669-2-1:2002

### REGIONAL CERTIFICATION

TRA - UAE  
ECAS - UAE  
GCC - UAE  
UAE ROHS - UAE  
DWLFM - Bahrain  
CITRA - Kuwait  
TRC - Jordan

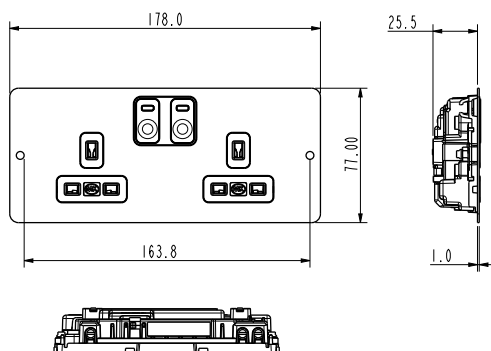
A range of retrofitable intelligent socket outlets designed for use within the Connected Power Solution and designed to complement the Metalclad Plus range of Wiring Devices. The solution provides Energy Monitoring, Control and advanced level detection for each outlet, minimising CO<sub>2</sub> emissions and reducing energy consumption by powering plug in equipment only when needed.

### SOCKET FEATURES

- 3 Pin Operated Safety Shutter
- Top access terminals
- Printed Terminal Markings on grey rear mouldings
- Backed out and Captive screw terminals
- Dual Earth terminals
- Isolation Switch (to aid wiring integrity testing)
- Ideal for retrofit floorbox installations

### SOLUTION FEATURES

- Graphically display at BEMS and drill down capability, for full solution insights
- Energy Metering at each socket outlet
- Local Control over outlet state ON/OFF
- Remote and Automatic control over outlet state from BEMS ON/OFF/LOCK ON/ LOCK OFF
- Grouping of Outlets
- Scheduling of Outlets / Groups
- Low and High power levels per outlet
- Ability to raise Alerts and / or change outlet states depending upon temperature at Socket
- Internal socket temperature monitoring
- Ability to raise Alerts and / or change outlet state dependent upon power or temperature levels
- E-mail option for Alerts
- Ability to update firmware in the field



# METALCLAD PLUS™

## Connected Power 2 Gang Switchsocket outlet



**POWERING  
THE FUTURE**

### TECHNICAL SPECIFICATION

#### ELECTRICAL

**OPERATING VOLTAGE**  
190~264VAC

**OPERATING FREQUENCY**  
47~63Hz

**STANDBY POWER CONSUMPTION**  
<0.5W

**CURRENT RATING**  
13A

**TERMINAL CAPACITY**  
Live, neutral & earth  
3 x 2.5mm<sup>2</sup>, 3 x 4mm<sup>2</sup>, 2 x 6mm<sup>2</sup> (stranded)  
Dual earth terminals

**IP RATING**  
IP2X

**ACTIVE POWER CONSUMPTION**  
<1W

**RF**  
MESH Network

**SOCKET TO SOCKET**  
10m

**No OF HOPS**  
<=4

**FREQUENCY**  
2402MHz~2483MHz

**BLE**  
Commissioning Purpose ONLY

**BQB (BLUETOOTH QUALIFICATION BODY)**  
D058742

**ANTENNA TYPE**  
Built-In

#### ENVIRONMENTAL

**OPERATING TEMPERATURE**  
0°C ~ +45°C

**STORAGE TEMPERATURE**  
-20°C ~ +60°C

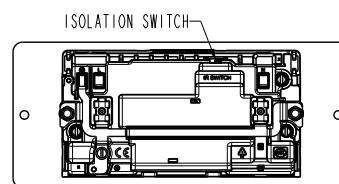
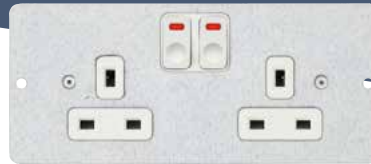
**HUMIDITY**  
0 ~ 95% non-condensing

**MAX. INSTALLATION ALTITUDE**  
2000 metres

**WEIGHT**  
214g (Exclude Package Weight)

**INSTALLATION**  
Within compatible CXP Floorboxes

**LED INDICATIONS**  
2 LED's, Red/Yellow/Green



### ISOLATION SWITCH

IR switch must positively locate into both On and Off positions and be protected against false activation

### LED INDICATOR GUIDE

CONDITION	INDICATION	NOTES
<b>POWER UP INITIALIZATION INDICATION</b>		
Socket initialized	Both switch LEDs ORANGE for 2s	Socket is ready to work.
<b>13A OUTLET STATUS INDICATION</b>		
Socket ON	Relevant switch LED constantly RED	Power is connected to the 13A outlet socket
Socket OFF	Relevant switch LED OFF	Power is NOT connected to the 13A outlet socket
<b>LOCKED OUTLETS CONDITION INDICATIONS</b>		
Socket in Locked state	-	There is no specific indication of locked state – the relevant switch LED displays normal ON or OFF state indication
Switch operated while in "Locked-ON" state	Pressed switch LED fast flashes 3 times and then turns back ON RED	Short flash when switch operated when in a Locked-ON state to acknowledge action.
Switch operated while in "Locked-OFF" state	Pressed switch LED fast flashes 3 times and then turns back OFF	Short flash when switch operated when in a Locked-OFF state to acknowledge action.
<b>RF NETWORK &amp; COMMUNICATION STATUS INDICATIONS</b>		
Not in a network	Single short ORANGE flash of both Outlet LEDs together for 0.3s every 10s	Socket not linked to a Hub or another socket. Socket not commissioned.
Network joined	Single long GREEN flash of 3s	Socket has joined a network.
In a network	-	There is no specific indication for being in a network and linked to a Hub.
In a network and Transmitting/Receiving data	-	Socket linked to a Hub and RF coms transmitting or Receiving.
Join network rejected	Both LEDs blink ORANGE at 2Hz continually	Hub has reached maximum numbers of sockets.
<b>OTHER INDICATIONS</b>		
Commission BLE started / Identification	Both switch LEDs flash GREEN 10 times ( 1Hz / 50% duty cycle )	-
BLE Stopped	Both switch LEDs flash GREEN 2 times ( 1Hz / 50% duty cycle )	-
Internal board error	Both LEDs flash GREEN 4Hz 2 times.	-