

# LOGIC PLUS™

## Connected Power 2 Gang Switchsocket outlet



**POWERING  
THE FUTURE**

### PART NUMBERS

CS2747WHI, CS2747GRA

### STANDARDS AND APPROVALS

Low Voltage Directive (2014/35/EU), EMC Directive (2014/30/EU), RoHS Directive (2011/65/EU) and amendment RoHS Directive (EU) 2015/863  
 BS 1363-2:2016 + A1:2018;  
 IEC 60884-1:2002, AMD1:2006  
 IEC 60669-2-1:2002  
 EN 62479: 2010;  
 EN 50663: 2017;  
 ETSI EN 301 489-1 V2.2.3;  
 ETSI EN 301 489-17 V3.2.4;  
 EN 55032: 2015/A11:2020;  
 EN 55035: 2017/A11:2020;  
 EN IEC 61000-3-2:2019;  
 EN 61000-3-3: 2013+A1:2019;  
 EN IEC 61000-6-1:2019;  
 IEC 61000-6-1:2016;  
 EN 61000-6-3:2007/+A1:2011;  
 IEC 61000-6-3:2010;  
 EN 300 328 V2.2.2

### REGIONAL CERTIFICATION

TRA - UAE  
 ECAS - UAE  
 GCC - UAE  
 UAE ROHS - UAE  
 DWLFM - Bahrain  
 CITRA - Kuwait  
 TRC - Jordan



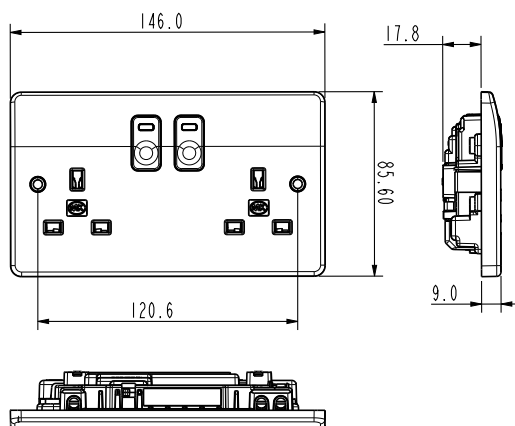
A range of retrofitable intelligent socket outlets designed for use within the Connected Power Solution and designed to complement the Logic Plus range of Wiring Devices. The solution provides Energy Monitoring, Control and advanced level detection for each outlet, minimising CO<sub>2</sub> emissions and reducing energy consumption by powering plug in equipment only when needed.

### SOCKET FEATURES

- 3 Pin Operated Safety Shutter
- Top access terminals
- Printed Terminal Markings on grey rear mouldings
- Backed out and Captive screw terminals
- Dual Earth terminals
- Isolation Switch (to aid wiring integrity testing)
- Made from UREA
- Ideal for retrofit installations

### SOLUTION FEATURES

- Graphically display at BEMS and drill down capability, for full solution insights
- Energy Metering at each socket outlet
- Local Control over outlet state ON/OFF
- Remote and Automatic control over outlet state from BEMS ON/OFF/LOCK ON/ LOCK OFF
- Grouping of Outlets
- Scheduling of Outlets / Groups
- Low and High power levels per outlet
- Ability to raise Alerts and / or change outlet states depending upon temperature at Socket
- Internal socket temperature monitoring
- Ability to raise Alerts and / or change outlet states dependent upon power at outlet levels
- E-mail option for Alerts
- Ability to update firmware in the field



# LOGIC PLUS™

## Connected Power 2 Gang Switchsocket outlet



**POWERING  
THE FUTURE**

### TECHNICAL SPECIFICATION

#### ELECTRICAL

##### OPERATING VOLTAGE

190~264VAC

##### OPERATING FREQUENCY

47~63Hz

##### STANDBY POWER CONSUMPTION

<0.5W

##### CURRENT RATING

13A

##### TERMINAL CAPACITY

Live, neutral & earth  
3 x 2.5mm<sup>2</sup>, 3 x 4mm<sup>2</sup>, 2 x 6mm<sup>2</sup> (stranded)  
Dual earth terminals

##### IP RATING

IP2X

##### ACTIVE POWER CONSUMPTION

<1W

#### RF

MESH Network

##### SOCKET TO SOCKET

10m

##### No OF HOPS

<=4

##### FREQUENCY

2402MHz~2483MHz

#### BLE

Commissioning Purpose ONLY

##### BQB (BLUETOOTH QUALIFICATION BODY)

D058742

##### ANTENNA TYPE

Built-In

#### ENVIRONMENTAL

##### OPERATING TEMPERATURE

0°C ~ +45°C

##### STORAGE TEMPERATURE

-20°C ~ +60°C

##### HUMIDITY

0 ~ 95% non-condensing

##### MAX. INSTALLATION ALTITUDE

2000 metres

#### WEIGHT

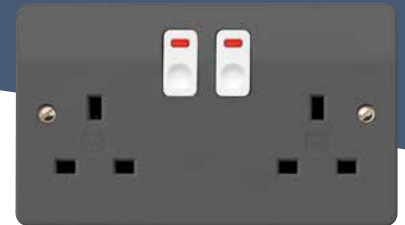
214g (Exclude Package Weight)

#### INSTALLATION

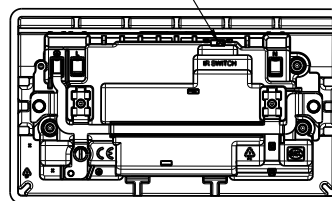
Do not mount or use as a trailing socket or where they may be subject to excessive moisture or damp

#### LED INDICATIONS

2 LED's, Red/Yellow/Green



ISOLATION SWITCH



### ISOLATION SWITCH

IR switch must positively locate into both On and Off positions and be protected against false activation.

### LED INDICATOR GUIDE

CONDITION	INDICATION	NOTES
<b>POWER UP INITIALIZATION INDICATION</b>		
Socket initialized	Both switch LEDs ORANGE for 2s	Socket is ready to work.
<b>13A OUTLET STATUS INDICATION</b>		
Socket ON	Relevant switch LED constantly RED	Power is connected to the 13A outlet socket
Socket OFF	Relevant switch LED OFF	Power is NOT connected to the 13A outlet socket
<b>LOCKED OUTLETS CONDITION INDICATIONS</b>		
Socket in Locked state	-	There is no specific indication of locked state – the relevant switch LED displays normal ON or OFF state indication
Switch operated while in "Locked-ON" state	Pressed switch LED fast flashes 3 times and then turns back ON RED	Short flash when switch operated when in a Locked-ON state to acknowledge action.
Switch operated while in "Locked-OFF" state	Pressed switch LED fast flashes 3 times and then turns back OFF	Short flash when switch operated when in a Locked-OFF state to acknowledge action.
<b>RF NETWORK &amp; COMMUNICATION STATUS INDICATIONS</b>		
Not in a network	Single short ORANGE flash of both Outlet LEDs together for 0.3s every 10s	Socket not linked to a Hub or another socket. Socket not commissioned.
Network joined	Single long GREEN flash of 3s	Socket has joined a network.
In a network	-	There is no specific indication for being in a network and linked to a Hub.
In a network and Trans-mitting/Receiving data	-	Socket linked to a Hub and RF coms transmitting or Receiving.
Join network rejected	Both LEDs blink ORANGE at 2Hz continually	Hub has reached maximum numbers of sockets.
<b>OTHER INDICATIONS</b>		
Commission BLE started / Identification	Both switch LEDs flash GREEN 10 times ( 1Hz / 50% duty cycle )	-
BLE Stopped	Both switch LEDs flash GREEN 2 times ( 1Hz / 50% duty cycle )	-
Internal board error	Both LEDs flash GREEN 4Hz 2 times.	-

MINIMUM BOX DEPTH	BOX DEPTH FOR EXTRA WIRING SPACE
25MM*	35MM
<b>RECOMMENDED BOXES</b>	
862ZIC	FLUSH 25MM
886ZIC	FLUSH 35MM
K2142WHI	SURFACE 30MM

\*For compliance to BS1363, use either a minimum 35mm backbox or the K1000 pattress with a 25mm backbox