

METALCLAD PLUS™

Connected Power 2 Gang Switchsocket outlet



POWERING THE FUTURE

PART NUMBERS

CS2946ALM, CS3046WHI

STANDARDS AND APPROVALS

Low Voltage Directive (2014/35/EU),
EMC Directive (2014/30/EU),
RoHS Directive (2011/65/EU) and amendment RoHS
Directive (EU) 2015/863
BS 1363-2:2016 + A1:2018;
IEC 60884-1:2002, AMD1:2006, AMD2:2013
EN 62479: 2010;
EN 50663: 2017;
ETSI EN 301 489-1 V2.2.3;
ETSI EN 301 489-17 V3.2.4;
EN 55032: 2015/A11:2020;
EN 55035: 2017/A11:2020;
EN IEC 61000-3-2:2019;
EN 61000-3-3: 2013+A1:2019;
EN IEC 61000-6-1:2019;
IEC 61000-6-1:2016;
EN 61000-6-3:2007+A1:2011;
IEC 61000-6-3:2010;
EN 300 328 V2.2.2;
IEC 60669-2-1:2002

REGIONAL CERTIFICATION

TRA - UAE
ECAS - UAE
GCC - UAE
UAE ROHS - UAE
DWLFM - Bahrain
CITRA - Kuwait
TRC - Jordan



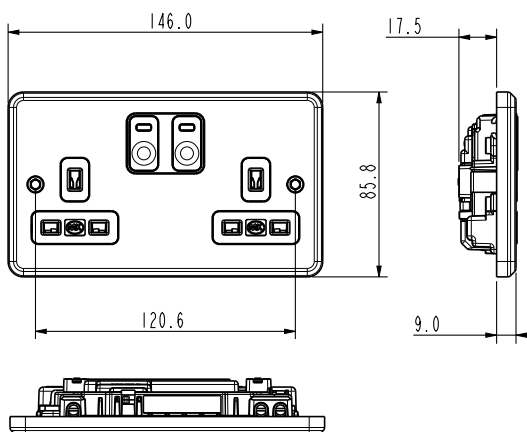
A range of retrofitable intelligent socket outlets designed for use within the Connected Power Solution and designed to complement the Metalclad Plus range of Wiring Devices. The solution provides Energy Monitoring, Control and advanced level detection for each outlet, minimising CO₂ emissions and reducing energy consumption by powering plug in equipment only when needed.

SOCKET FEATURES

- 3 Pin Operated Safety Shutter
- Top access terminals
- Printed Terminal Markings on grey rear mouldings
- Backed out and Captive screw terminals
- Dual Earth terminals
- Isolation Switch (to aid wiring integrity testing)
- Powder coated tough and impact resistant metal
- Corrosion and scratch resistant
- Ideal for retrofit installations

SOLUTION FEATURES

- Graphically display at BEMS and drill down capability, for full solution insights
- Energy Metering at each socket outlet
- Local Control over outlet state ON/OFF
- Remote and Automtaic control over outlet state from BEMS ON/OFF/LOCK ON/ LOCK OFF
- Grouping of Outlets
- Scheduling of Outlets / Groups
- Low and High power levels per outlet
- Ability to raise Alerts and / or change outlet states depending upon temperature at Socket
- Internal socket temperature monitoring
- Ability to raise Alerts and / or change outlet states dependent upon power at outlet levels
- E-mail option for Alerts
- Ability to update firmware in the field



METALCLAD PLUS™

Connected Power 2 Gang Switchsocket outlet



**POWERING
THE FUTURE**

TECHNICAL SPECIFICATION

ELECTRICAL

OPERATING VOLTAGE

190~264VAC

OPERATING FREQUENCY

47~63Hz

STANDBY POWER CONSUMPTION

<0.5W

CURRENT RATING

13A

TERMINAL CAPACITY

Live, neutral & earth

3 x 2.5mm², 3 x 4mm², 2 x 6mm² (stranded)

Dual earth terminals

IP RATING

IP2X

ACTIVE POWER CONSUMPTION

<1W

RF

MESH Network

SOCKET TO SOCKET

10m

No OF HOPS

<=4

FREQUENCY

2402MHz~2483MHz

BLE

Commissioning Purpose ONLY

BQB (BLUETOOTH QUALIFICATION BODY)

D058742

ANTENNA TYPE

Built-In

ENVIRONMENTAL

OPERATING TEMPERATURE

0°C ~ +45°C

STORAGE TEMPERATURE

-20°C ~ +60°C

HUMIDITY

0 ~ 95% non-condensing

MAX. INSTALLATION ALTITUDE

2000 metres

WEIGHT

214g (Exclude Package Weight)

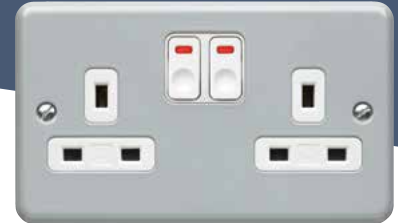
INSTALLATION

Metalclad Sockets can be wall or bench mounted.

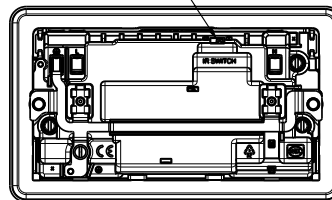
Do not mount or use as a trailing socket or where they may be subject to excessive moisture or damp

LED INDICATIONS

2 LED's, Red/Yellow/Green



ISOLATION SWITCH



ISOLATION SWITCH

IR switch must positively locate into both On and Off positions and be protected against false activation

LED INDICATOR GUIDE

CONDITION	INDICATION	NOTES
POWER UP INITIALIZATION INDICATION		
Socket initialized	Both switch LEDs ORANGE for 2s	Socket is ready to work.
13A OUTLET STATUS INDICATION		
Socket ON	Relevant switch LED constantly RED	Power is connected to the 13A outlet socket
Socket OFF	Relevant switch LED OFF	Power is NOT connected to the 13A outlet socket
LOCKED OUTLETS CONDITION INDICATIONS		
Socket in Locked state	-	There is no specific indication of locked state – the relevant switch LED displays normal ON or OFF state indication
Switch operated while in "Locked-ON" state	Pressed switch LED fast flashes 3 times and then turns back ON RED	Short flash when switch operated when in a Locked-ON state to acknowledge action.
Switch operated while in "Locked-OFF" state	Pressed switch LED fast flashes 3 times and then turns back OFF	Short flash when switch operated when in a Locked-OFF state to acknowledge action.
RF NETWORK & COMMUNICATION STATUS INDICATIONS		
Not in a network	Single short ORANGE flash of both Outlet LEDs together for 0.3s every 10s	Socket not linked to a Hub or another socket. Socket not commissioned.
Network joined	Single long GREEN flash of 3s	Socket has joined a network.
In a network	-	There is no specific indication for being in a network and linked to a Hub.
In a network and Transmitting/Receiving data	-	Socket linked to a Hub and RF coms transmitting or Receiving.
Join network rejected	Both LEDs blink ORANGE at 2Hz continually	Hub has reached maximum numbers of sockets.
OTHER INDICATIONS		
Commission BLE started / Identification	Both switch LEDs flash GREEN 10 times (1Hz / 50% duty cycle)	-
BLE Stopped	Both switch LEDs flash GREEN 2 times (1Hz / 50% duty cycle)	-
Internal board error	Both LEDs flash GREEN 4Hz 2 times.	-

BOX TYPES

	FLUSH	FLUSH (FOR EXTRA WIRING SPACE)	SURFACE METAL
1 gang	861 ZIC	866 ZIC	as supplied
2 gang	862 ZIC	886 ZIC	as supplied