



**WARNING:** When mounting the UDACT-F inside the MS-9200(C)/E cabinet, or UNI•COM/ADT-UDACT inside the Unimode 200, use only the standoffs and connections specified in this document. This will avoid possible damage to the UDACT-F, UNI•COM or ADT-UDACT.

## MS-9200(C)/E & UDACT-F, and Unimode 200 & UNI•COM or ADT-UDACT Supplement:

**Mounting UDACT-F with MS-9200(C)/E, and  
Mounting UNI•COM or ADT-UDACT with  
Unimode 200**

Document 51139 Rev D 12/12/03 ECN 03-795

There has been a redesign of the MS-9200(C)/E FACP (Fire Alarm Control Panel) cabinet (effective 11/98) and the UDACT-F (Universal Digital Alarm Communicator/Transmitter) module (effective 2/99). The same changes have been made to the Unimode 200 cabinet and UNI•COM/ADT-UDACT module. Where this document says "MS-9200(C)/E", it also refers to the Unimode 200. Where this document says "UDACT-F", it also refers to the UNI•COM/ADT-UDACT.

Use the 5/8" standoffs when mounting the UDACT-F inside the new version MS-9200(C)/E cabinet. Longer standoffs will cause the FACP cabinet door to make contact with the UDACT-F module, possibly resulting in damage to the UDACT-F. In addition, the new version UDACT-F/UNI•COM/ADT-UDACT module no longer plugs directly into the main circuit board connector J16. Use the ribbon cable shipped with the new UDACT-F to connect J10 on the UDACT-F to J16 on the MS-9200(C)/E main circuit board (refer to Figure 1).

To connect an old MS-9200(C)/E with a new UDACT-F, use Terminal Block Plug 02109 to hard-wire

Terminal Block TB1 on the UDACT-F to Terminal Blocks TB4 & TB5 on the MS-9200(C)/E. This plug and the proper 3/4" standoffs used for the old cabinet are shipped with the new UDACT-F.

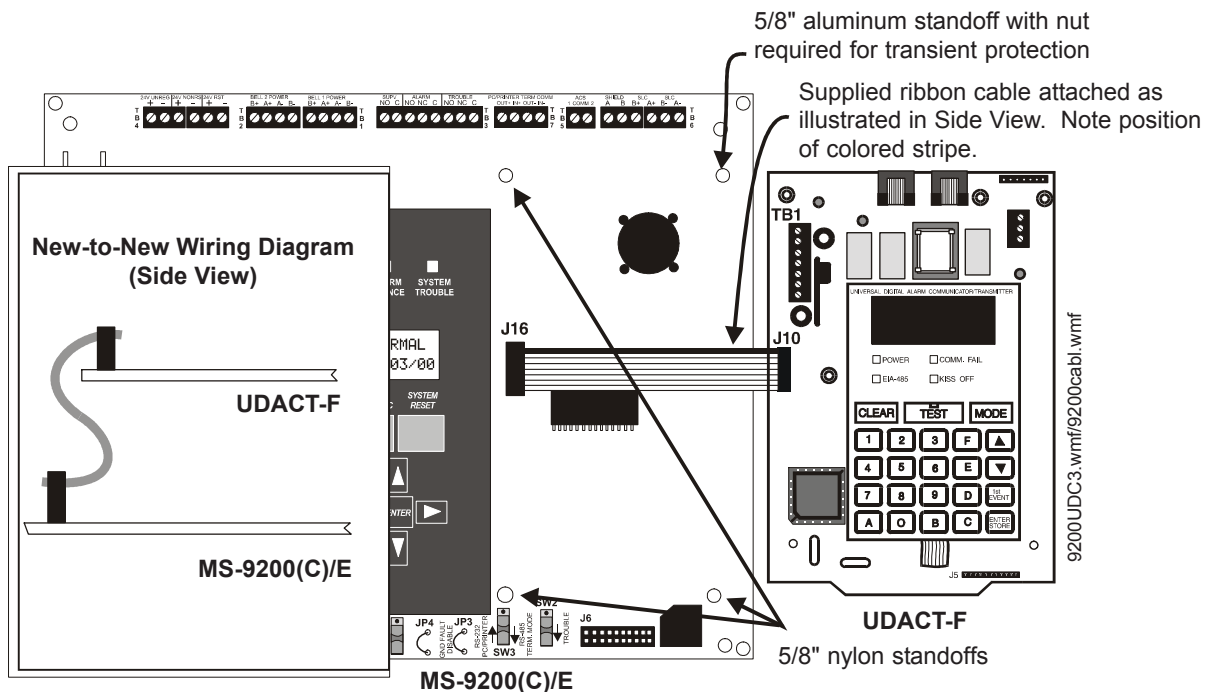
To connect a new MS-9200(C)/E with an old UDACT-F, use Terminal Block Plug 02109 to hard-wire Terminal Block TB1 on the UDACT-F to Terminal Blocks TB4 & TB5 on the MS-9200(C)/E. This plug and the proper 5/8" standoffs required for the new cabinet are included in upgrade kit DACT-UG.

Figures 2, 3, 4, and 5 document the proper configuration of all four combinations of old and new boards.

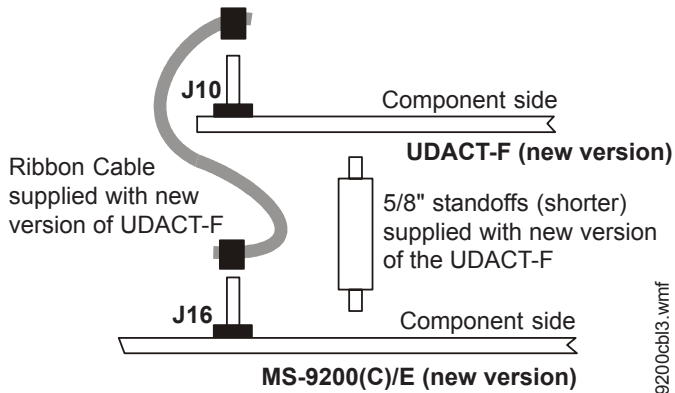
Instructions on internal mounting of the UDACT-F should be deleted and this supplement added to the following manuals:

MS-9200(C) Instruction Manual	Document #51003
MS-9200E Instruction Manual	Document #50428
UDACT-F Instruction Manual	Document #50049
Unimode 200 Instruction Manual	Document #50101
UNI•COM Instruction Manual	Document #50075
ADT-UDACT Manual Addendum	Document #51582

**Figure 1: New-to-New Internal UDACT-F Installation (Top View and Side View)**

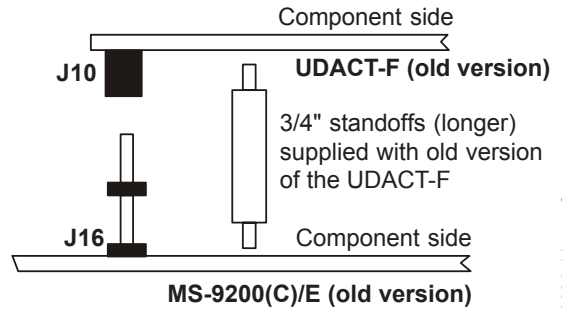


**Figure 2: Connecting New Version of MS-9200(C)/E to New Version of UDACT-F**



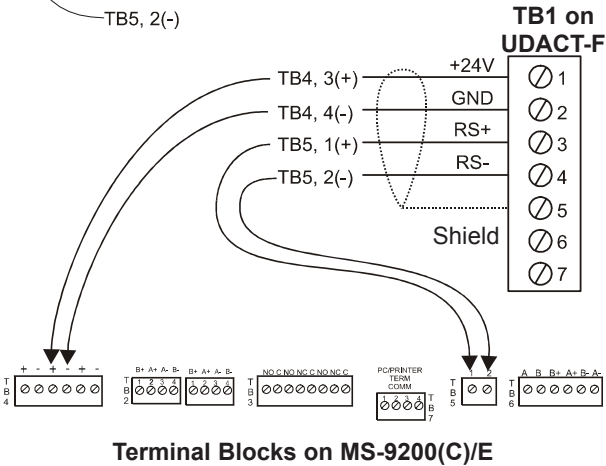
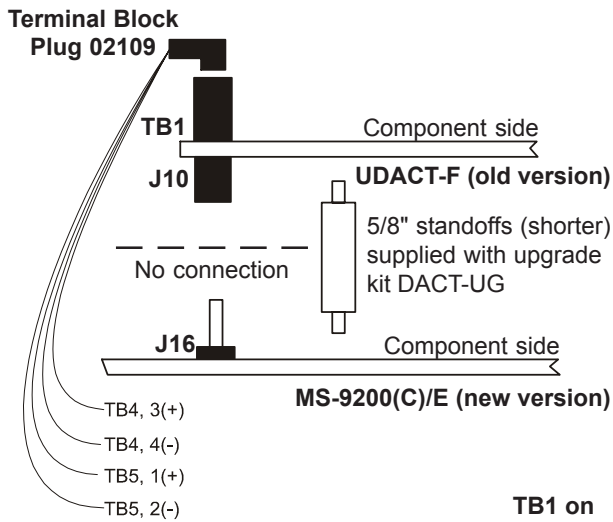
9200cbl3.wmf

**Figure 3: Connecting Old Version of MS-9200(C)/E to Old Version of UDACT-F**



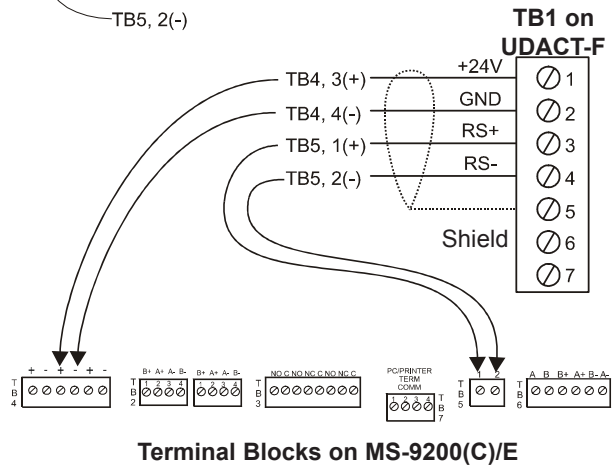
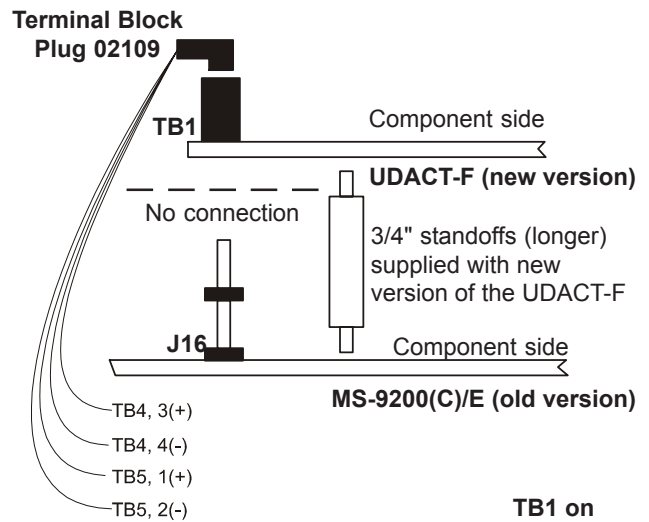
9200cbl4.wmf

**Figure 4: Connecting New Version of MS-9200(C)/E to Old Version of UDACT-F (Side View & Top View)**



9200cbl5.wmf

**Figure 5: Connecting Old Version of MS-9200(C)/E to New Version of UDACT-F (Side View & Top View)**



9200cbl6.wmf