

Keltron 95M3158 TTM-RPS

1. Terminals 7 and 8: Remote station alarm/trouble inputs.
2. Terminals 9 and 10: Sprinkler supervisory input.

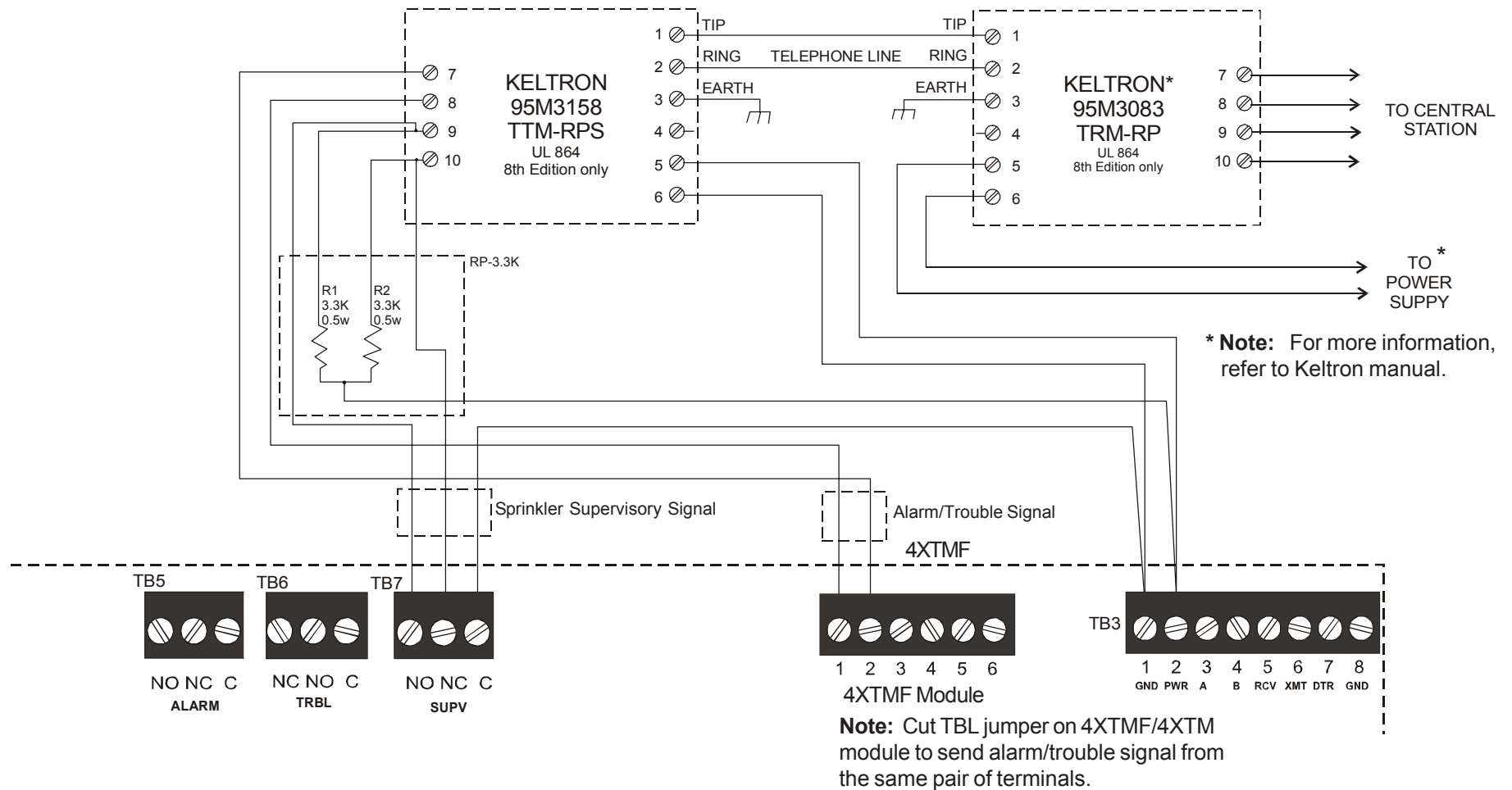
CAUTION!

For reasons of wiring diagram clarity, terminal designations of Keltron modules are not shown in actual order. Follow Keltron manual and module markings for exact terminal locations to prevent severe module damage!

MS-9050UD with Keltron RCVR/XMTR Wiring Diagram

52665 Revision A
September 7, 2005

ECN 05-345



MS-9050UD Control Panel

(terminal blocks not shown in actual positions)