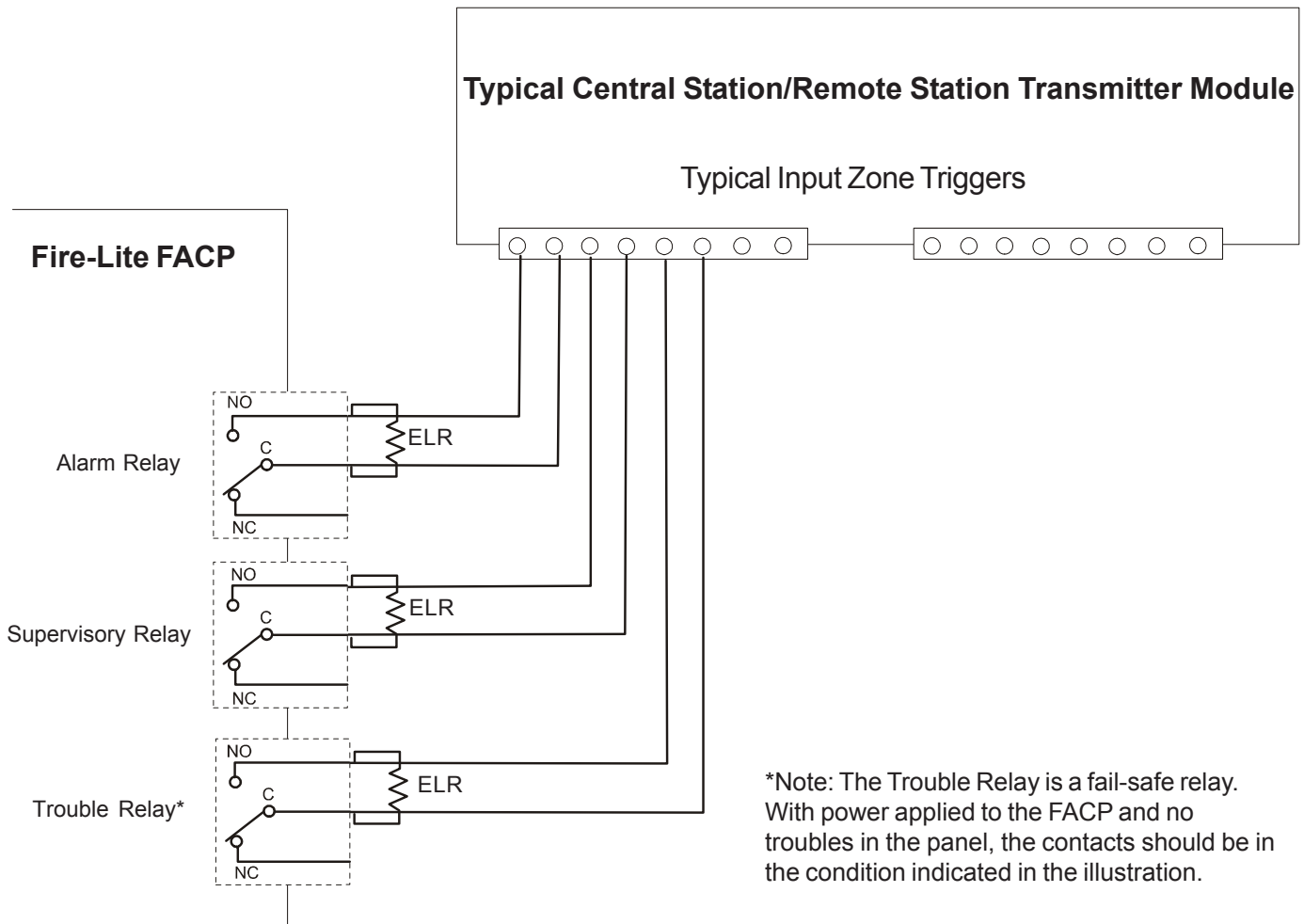


This Product Installation Document outlines the connection of a UL-864 Listed Central Station/Remote Station Transmitter to Fire-Lite Fire Alarm Control Panel dry contacts. The FACP contacts must be supervised by the Central Station/Remote Station Transmitter module using End-of-Line Resistors (ELRs) with a value determined by the Transmitter manufacturer. Power is also provided by the Central Station/Remote Station Transmitter manufacturer. Refer to the Central Station/Remote Station Transmitter manufacturer's manual for details.



For detailed information on specific Fire-Lite FACP's refer to the appropriate panel manual as listed below:

- MS-9200UD                      Manual P/N: 51906
- MS-9200UDLS                Manual P/N: 52750
- MS-9600                        Manual P/N: 51335
- MS-9050UD                    Manual P/N: 52413
- MS-4                              Manual P/N: 51512
- MS-5210UD                    Manual P/N: 50193 (requires use of optional NAC-REM module for supervisory relay)