

# SEISKIT-COMMENC

## Product Installation Document

PN 53880:C 12/16/2022 ECN: 27423

## 1 Overview

The instructions that follow describe requirements for seismic installations using a SEISKIT-COMMENC with a Common backbox and Power Sonic batteries.

The SEISKIT-COMMENC that accompanies this document must be used to secure the batteries to the backbox. It consists of a battery bracket, battery strap (for 12AH and 7AH batteries only), five #6-32 screws and four #6-32 keps nuts to secure the bracket to the backbox and the strap over the batteries. When used in combination with the instructions in this document, the installation will meet the requirements of the following standards.

If using a dress panel in this configuration, the dress panel must be secured to the backbox with the supplied washers and screws. Refer to the installation instructions that come with the dress panel for more information.

- ASCE 7 - American Society of Civil Engineers document
- IBC (International Building Code) - Referencing ASCE 7 and ICC AC-156
- CBC (California Building Code) - Referencing ASCE 7

## 2 Cabinet Mounting

Specific hardware and installation procedures must be used when mounting the cabinet to conform with seismic rating requirements. Wood, concrete, and steel mounting requirements differ. Before installing the backbox, remove the PC board and transformers. Set the board and transformers aside in a safe, clean place. *Avoid static discharge which may damage static sensitive components on the board.*

### 2.1 Mounting to Wood



**NOTE:** Wood lag screws must be embedded 2" (5 cm) minimum into wood. Sheetrock does not count as part of the 2" (5 cm) embedment.

1. If necessary, frame to match the backbox mounting holes.
2. Mark and pre-drill four holes for mounting bolts.
3. Place cabinet over the holes.
4. Install four 1/4" (.6 cm) wood lag screws, using four 1/4" (.6 cm) regular flat washers.

### 2.2 Mounting to Concrete



**NOTE:** Hilti Kwik Hus-EZ (KH-EZ) anchors must be embedded 2" (5 cm) into a concrete masonry wall (CMU), per the requirements of ICC ESR-1385.

1. Mark and pre-drill four holes for the mounting bolts.
2. Place cabinet over the holes. Install four 1/4" diameter Hilti Kwik Hus-EZ (KH-EZ) anchors, using four 1/4" (.6 cm) regular flat washers.

### 2.3 Mounting to Steel Studs

- Use 1/4" Hilti Kwik-Pro self drilling screws per ICC ESR-2196.

### 2.4 U-Struts

- Use A1000 Series Unistrut with A1006-1420 through A1008-1420 (Channel Nut with Spring, 1-1/4" Series), which will accommodate the 1/4" (0.6 cm) hardware.
- Span shall not be greater than width of unit + 12" (30.5 cm).
- Anchor into substrate per sections 2.1, 2.2, and 2.3.
- Install per manufacturer's instructions.

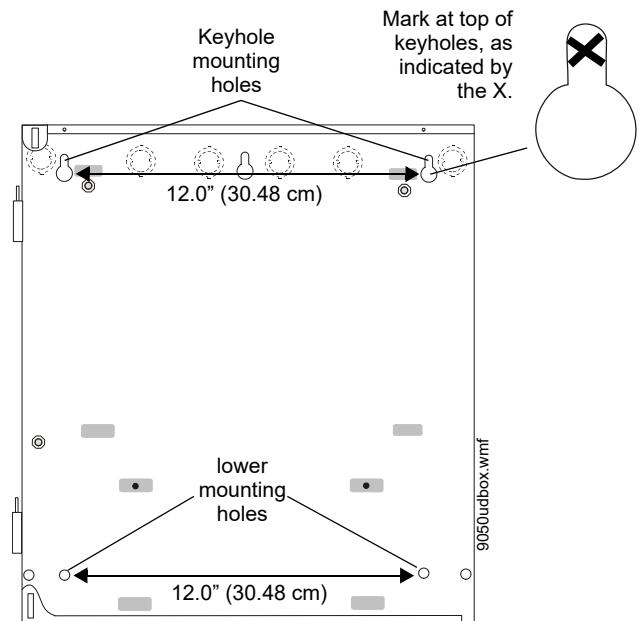
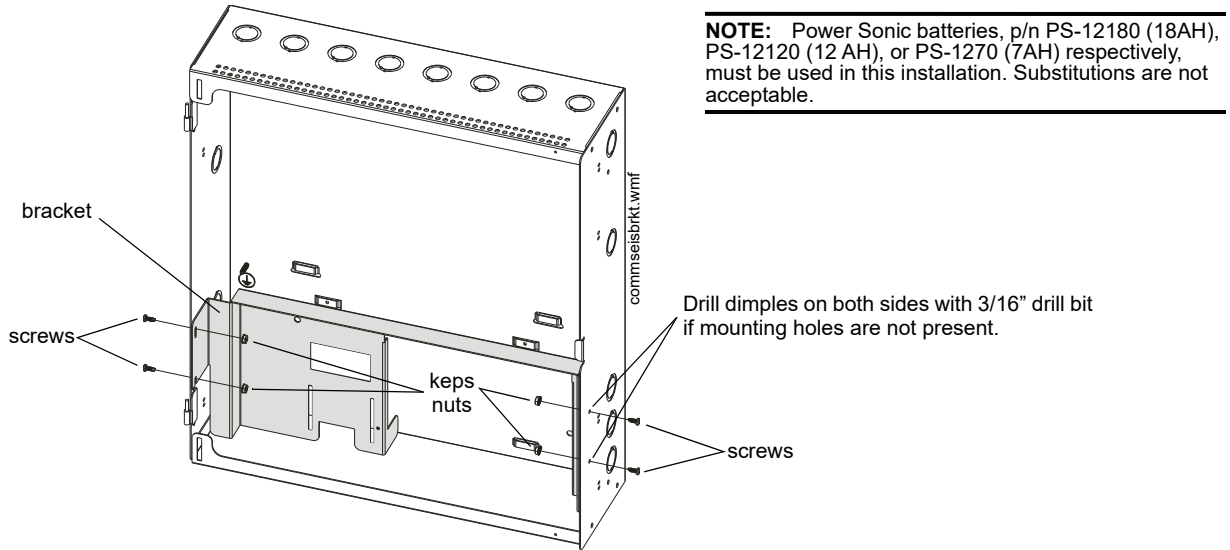


Figure 1 Mounting a Common Backbox

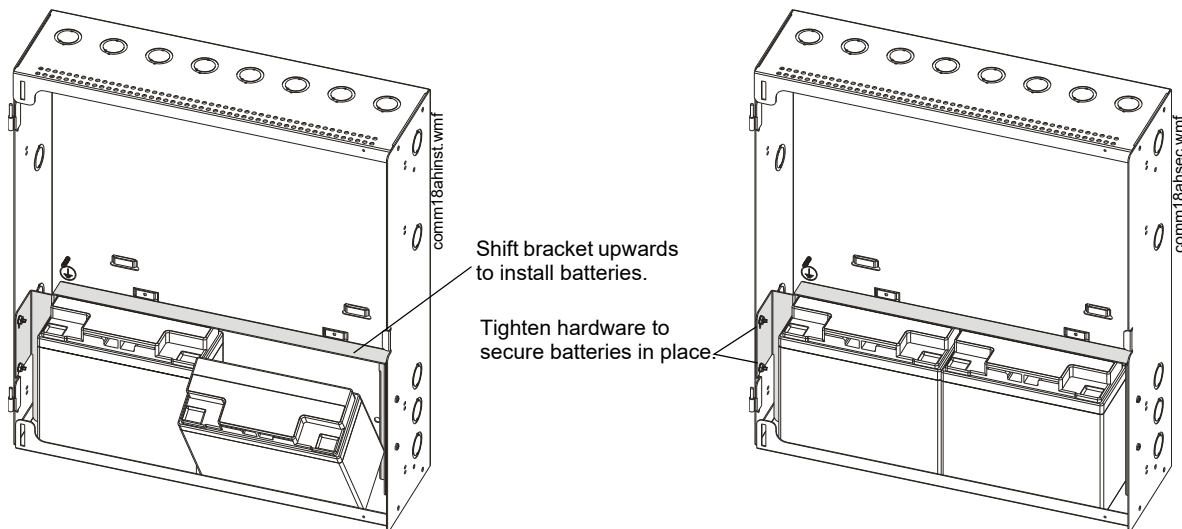
### 3 Battery Bracket Installation

1. If dimples are present instead of holes on the sides of the backbox, drill mounting holes using a 3/16" drill bit.
2. Install bracket inside the backbox using four included #6-32 screws and keps nuts. *Do not tighten as the bracket will need to be shifted upwards to install the batteries.*



**Figure 2 Installing the Battery Bracket**

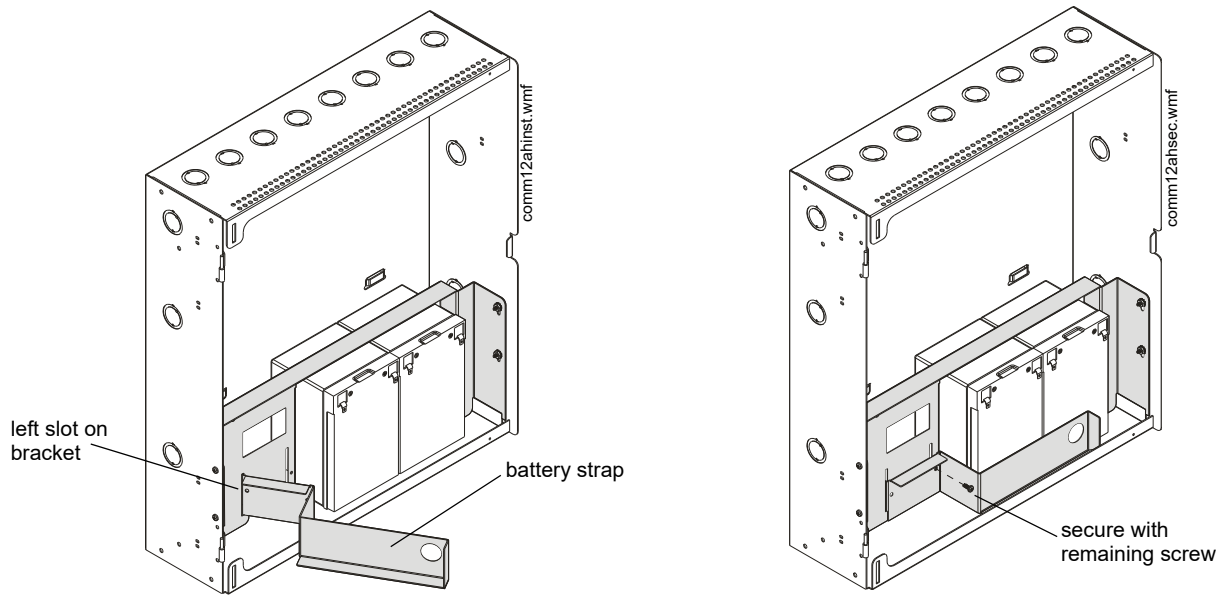
3. Shift the bracket upwards and install the batteries. For installation configuration, refer to Figure 3 for 18AH batteries, Figure 4 for 12AH batteries, and figure 5 for 7AH batteries.
4. **18 AH batteries:** Lower the bracket and tighten the hardware to secure the batteries.



**Figure 3 Installing 18AH Batteries**

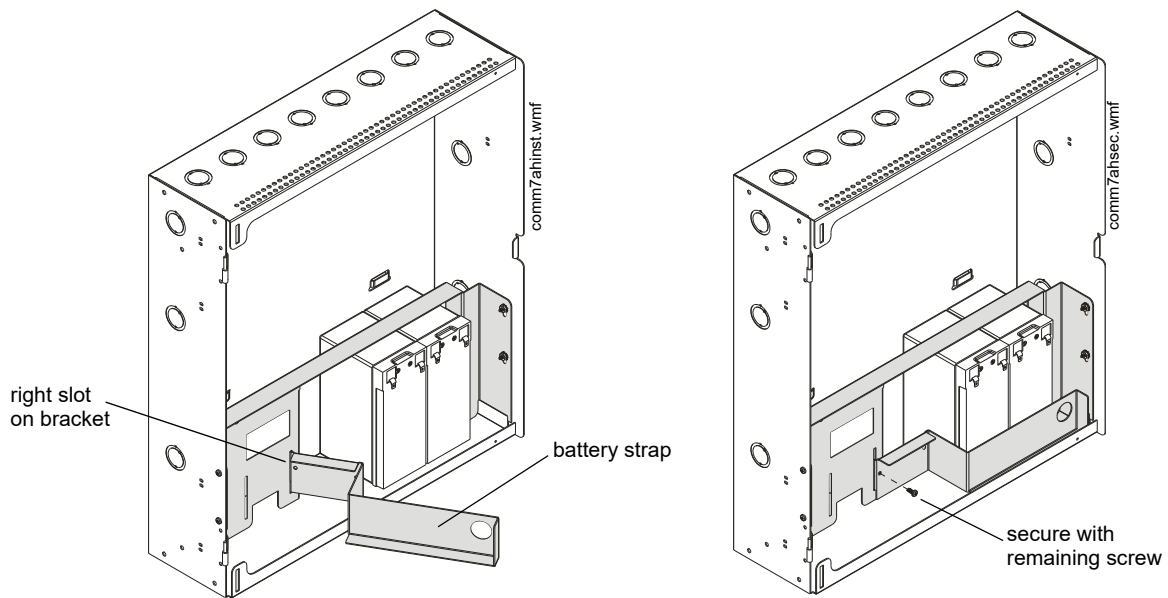
5. **12AH batteries:** Install 12AH batteries with terminals on top as shown below.

6. 12AH batteries require the battery strap installation. Insert the battery strap into the slot on the *left* side of battery bracket and close it over the batteries. Secure with the remaining screw.



**Figure 4 Installing 12AH Batteries**

7. **7AH batteries:** Install 7AH batteries with terminals on top as shown below.
8. 7AH batteries require the battery strap installation. Insert the battery strap into the slot on the *right* side of battery bracket and close it over the batteries. Secure with the remaining screw.



**Figure 5 Installing 7AH Batteries**