



www.firelite.com

October 21, 2003

DF-50141 • A2-100

MiniPanel-12/24 Two-Zone, Class B Fire Alarm Control Panels

Section: Conventional

GENERAL

Fire-Lite's popular **MiniPanel Series** consists of the **MP-12** and **MP-24**, 12-volt and 24-volt, two-zone, Class B, Fire Alarm Control Panels. Compact and economical, the MiniPanels offer a variety of option modules designed to meet many low-end applications, including NFPA 72, Local and Remote Station Fire Alarm Systems.



MEA
578-81-E
(MP-12, MP-24)



California
State Fire
Marshal
7165-0075:120
(MP-12, MP-24)

FEATURES

Initiating Device Circuits (IDCs)

- Two Style B (Class B).
- Economical two-zone, non-expandable construction.
- Two-wire smoke detector compatibility.
- Meets the requirements of NFPA 72 (Local and Remote Station).

Notification Appliance Circuit (NACs)

- Single Style Y (Class B) NAC.

Power and Batteries

- 0.75 A (MP-24) and 1.0 A (MP-12) of notification appliance power.
- 12- or 24-volt models.
- Regulated DC power output rated @ 100 mA.
- Integral battery charger.
- Low current drain of panel minimizes battery ampere-hour requirements.
- Power-limited per UL requirements.
- Can be used with power-limited cable.
- Battery/earth fault supervision.
- Built-in brownout circuitry.
- Built-in surge suppression.
- 230 VAC, 50 Hz international version available (MP-24E).

Trouble Circuit Monitors

- Open detector loop(s).
- Low battery voltage.
- Missing or disconnected battery.
- Ground fault.
- Low AC voltage (brownout).
- Loss of AC power.
- "Off Normal" switch position.
- Open or shorted Notification Appliance (bell) Circuit (NAC).

Dimensions

- Compact size: 9.500" (24.130 cm) wide x 10.625" (26.988 cm) high x 4.875" (12.383 cm) deep.

CONTROLS AND INDICATORS

LED Indicators

- "A.C. POWER".
- "ALARM" per zone.
- "SYSTEM TROUBLE".



MP-24

Membrane Switch Control

- "Reset" for control and detectors.
- "Trouble Silence" with resound.
- "Disable" to silence alarm.

PRODUCT LINE INFORMATION

- MP-12** Two-zone, 12-volt Fire Alarm Control Panel.
- MP-24** Two-zone, 24-volt Fire Alarm Control Panel.
- MP-24E** Same as above, with 230 VAC, 50 Hz transformer (UL Listed).
- MP-AC12** Relay module, 12-volt, two Form-C auxiliary Alarm contacts.
- MP-AC24** Relay module, 24-volt, two Form-C auxiliary Alarm contacts.
- MP-AT12** Relay module, 12-volt, two Form-C auxiliary Alarm and Trouble contacts.
- MP-AT24** Relay module, 24-volt, two Form-C auxiliary Alarm and Trouble contacts.
- MP-TR12** Transmitter module, 12-volt, Remote Station output, Alarm only.
- MP-TR24** Transmitter module, 24-volt, Remote Station output, Alarm only.
- MP-TRT12** Transmitter module, 12-volt, Remote Station output, Alarm and Trouble.
- MP-TRT24** Transmitter module, 24-volt, Remote Station output, Alarm and Trouble.

This document is not intended to be used for installation purposes. We try to keep our product information up-to-date and accurate. We cannot cover all specific applications or anticipate all requirements. All specifications are subject to change without notice. For more information, contact **Fire-Lite Alarms**, One Fire-Lite Place, Northford, Connecticut 06472. Phone: (800) 627-3473, Toll-Free FAX: (877) 699-4105.

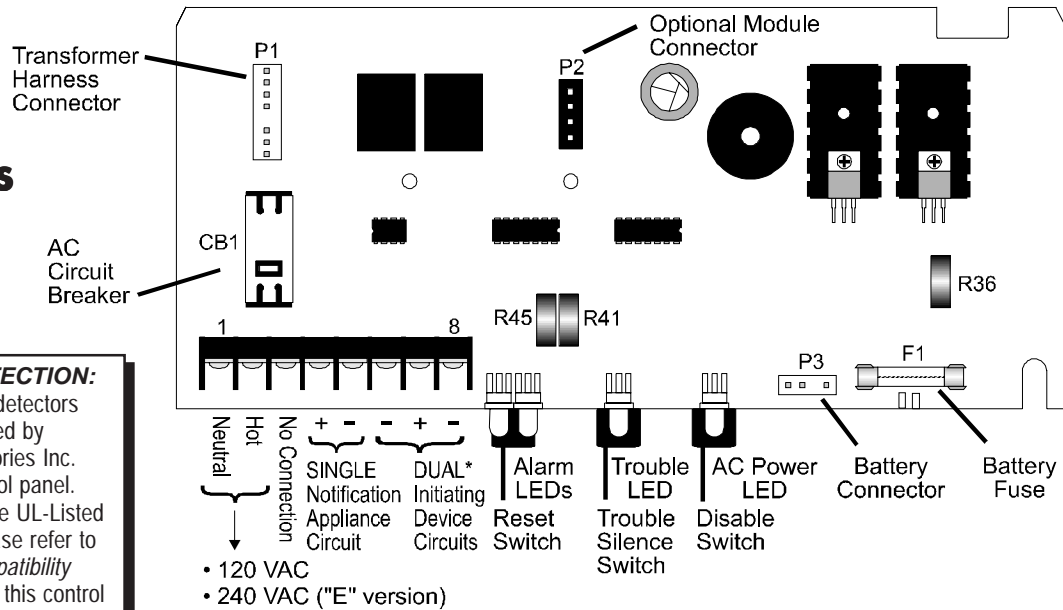
ISO 9001
CERTIFIED
ENGINEERING & MANUFACTURING
QUALITY SYSTEMS



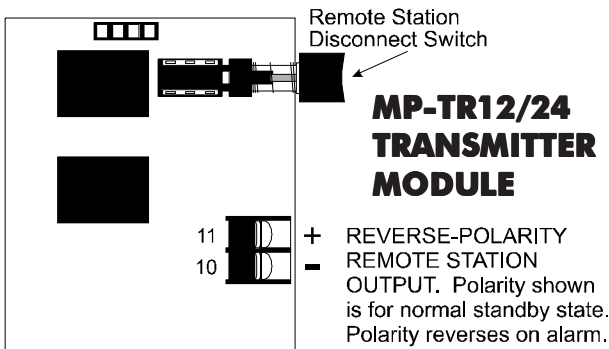
Made in the U.S.A.

MAJOR COMPONENTS & TERMINAL LOCATIONS

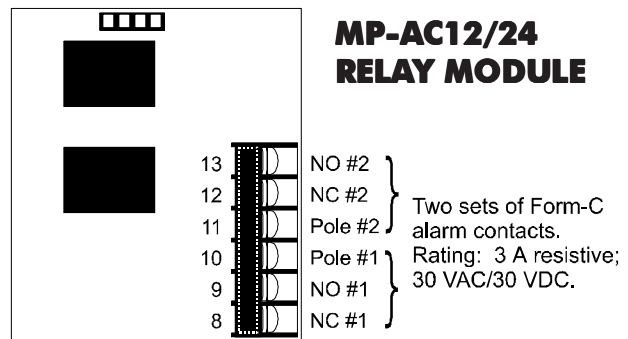
FOR YOUR PROTECTION: Always use two-wire detectors which have been Listed by Underwriters Laboratories Inc. for use with this control panel. For a list of compatible UL-Listed smoke detectors, please refer to *Fire•Lite Device Compatibility Document #15384* for this control panel.



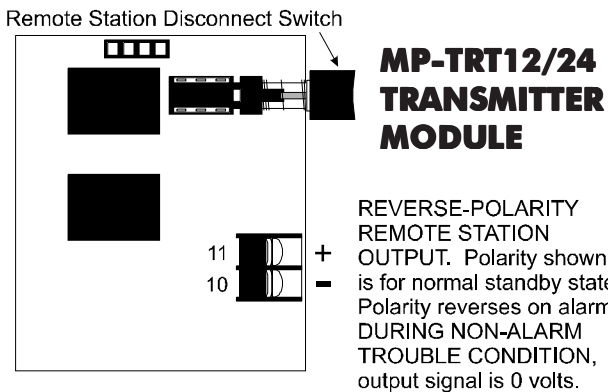
OPTIONAL MODULES — Choose only ONE per control panel.



Connect to compatible UL-Listed polarity-sensitive remote station receiver, **Fire•Lite** RS-82 or equivalent. Output signal: MP-12, 9 to 14 VDC; MP-24, 18 to 28 VDC. **Note 1:** For wiring, refer to UL power-limiting requirements. **Note 2:** This circuit is suitable to leave the building. **Note 3:** This output is power-limited.

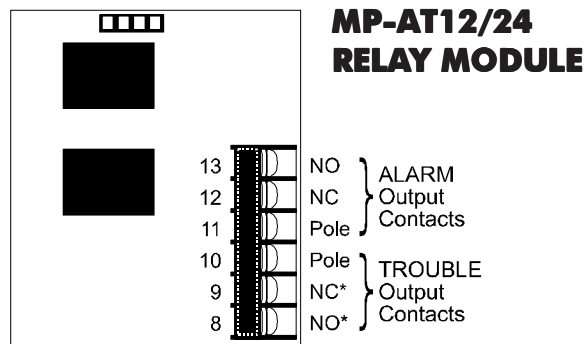


Note 1: For wiring, refer to UL power-limiting requirements. **Note 2:** Both sets of contacts must either be connected to a non-power-limited or a power-limited circuit. Sets of contacts cannot be mixed. **Note 3:** Refer to the Protected Premises Unit label (located on the system door) and mark the dry contacts used as non-power-limited circuits.



Connect to compatible UL-Listed polarity-sensitive remote station receiver, **Fire•Lite** RS-82 or equivalent. Output signal: MP-12, 9 to 14 VDC; MP-24, 18 to 28 VDC.

Note 1: For wiring, refer to UL power-limiting requirements. **Note 2:** The MP-TRT module does not comply with the requirement for separate trouble/alarm signal transmission. **Note 3:** This circuit is suitable to leave the building. **Note 4:** This output is power-limited.



Note 1: *Indicates non-trouble state. **Note 2:** All contacts rated 3 A, 120 VAC/30 VDC. **Note 3:** For wiring, refer to UL power-limiting requirements. **Note 4:** Both sets of contacts must be connected to a non-power-limited or a power-limited circuit. Sets of contacts cannot be mixed. **Note 5:** Refer to the Protected Premises Unit label (located on the system door) and mark the dry contacts used as non-power-limited circuits.