

MK ESSENTIALS **I-SERIES**



TECHNICAL



WIRING DEVICES TECHNICAL

MK ESSENTIALS I-SERIES

mkelectric.com

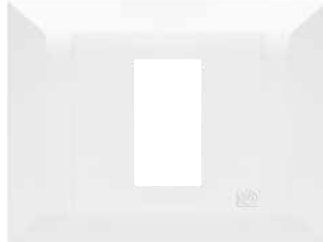


1 Module Cover plate (in 3M size)

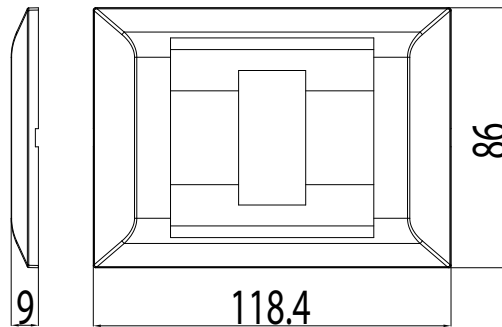
Standards and approvals

IEC60669-1

PRODUCT RANGE:		
MODULE	DESCRIPTION	PRODUCT CODE
1	2 MODULE COVER PLATE (IN 3M SIZE)	EG3111***



TECHNICAL SPECIFICATION
PHYSICAL
COLOUR White
CERTIFICATION CE
ROHS Compliant
AMBIENT OPERATING TEMPERATURE -5 to +35°C



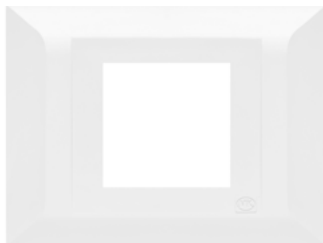
Dimensions: 118.4mm x 86mm
Frontplate Thickness: 9mm

2 Module Cover plate (in 3M size)

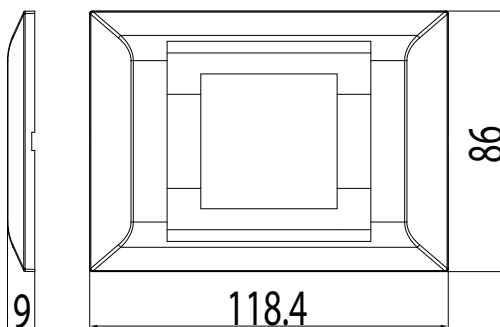
Standards and approvals

IEC60669-1

PRODUCT RANGE:		
MODULE	DESCRIPTION	PRODUCT CODE
2	2 MODULE COVER PLATE (IN 3M SIZE)	EG3112***



TECHNICAL SPECIFICATION
PHYSICAL
COLOUR White
CERTIFICATION CE
ROHS Compliant
AMBIENT OPERATING TEMPERATURE -5 to +35°C



NOTE:

Not to be used for Multiple 32A Switch Modules.

Ensure adequate segregation between mains voltage and low voltage devices.

Ensure aperture is completely filled with products. Blank Cover Plate 1 Module EG188 can be used.

Dimensions: 118.4mm x 86mm
Frontplate Thickness: 9mm

WIRING DEVICES TECHNICAL

MK ESSENTIALS I-SERIES

mkelectric.com



2 Module Cover plate (in 2M size)

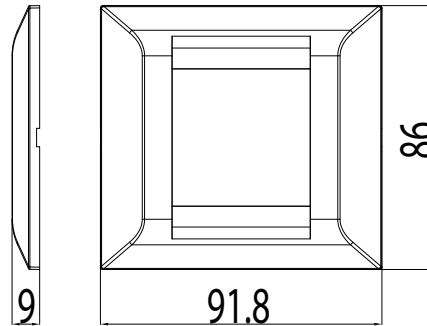
Standards and approvals

IEC60669-1

PRODUCT RANGE:		
MODULE	DESCRIPTION	PRODUCT CODE
2	2 MODULE COVER PLATE	EG2112***



TECHNICAL SPECIFICATION
PHYSICAL
COLOUR White
CERTIFICATION CE
ROHS Compliant
AMBIENT OPERATING TEMPERATURE -5 to +35°C



NOTE:

Not to be used for Multiple 32A Switch Modules.

Ensure adequate segregation between mains voltage and low voltage devices.

Ensure aperture is completely filled with products.
Blank Cover Plate 1 Module EG188 can be used.

Dimensions: 91.8mm x 86mm
Frontplate Thickness: 9mm



WIRING DEVICES TECHNICAL MK ESSENTIALS I-SERIES

3 Module Cover plate

Standards and approvals

IEC60669-1

PRODUCT RANGE:

MODULE	DESCRIPTION	PRODUCT CODE
3	3 MODULE COVER PLATE	EG3113***



TECHNICAL SPECIFICATION

PHYSICAL

COLOUR

White

CERTIFICATION

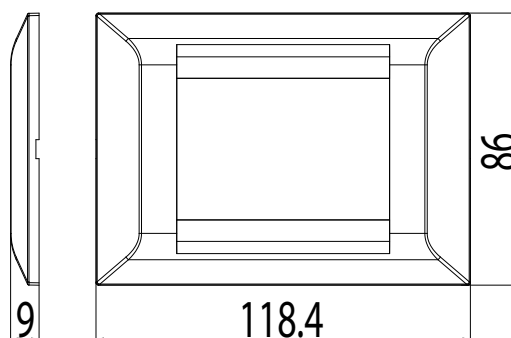
CE

ROHS

Compliant

AMBIENT OPERATING TEMPERATURE

-5 to +35°C



NOTE:

Not to be used for Multiple 32A Switch Modules.

Ensure adequate segregation between mains voltage and low voltage devices.

Ensure aperture is completely filled with products. Blank Cover Plate 1 Module EG188 can be used.

Dimensions: 118.4mm x 86mm
Frontplate Thickness: 9mm

WIRING DEVICES TECHNICAL

MK ESSENTIALS I-SERIES

mkelectric.com



4 Module Cover plate

Standards and approvals

IEC60669-1

PRODUCT RANGE:

MODULE	DESCRIPTION	PRODUCT CODE
4	4 MODULE COVER PLATE	EG3114***



TECHNICAL SPECIFICATION

PHYSICAL

COLOUR

White

CERTIFICATION

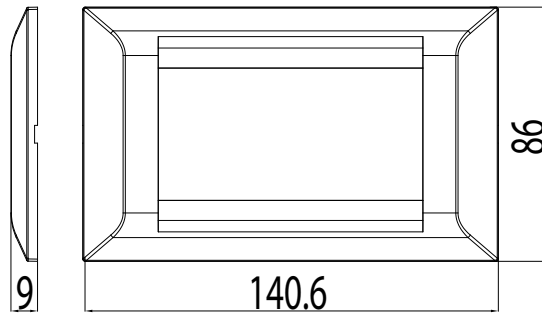
CE

ROHS

Compliant

AMBIENT OPERATING TEMPERATURE

-5 to +35°C



NOTE:

Not to be used for Multiple 32A Switch Modules.

Ensure adequate segregation between mains voltage and low voltage devices.

Ensure aperture is completely filled with products. Blank Cover Plate 1 Module EG188 can be used.

Dimensions: 140.6mm x 86mm
Frontplate Thickness: 9mm



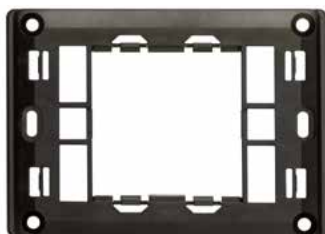
WIRING DEVICES TECHNICAL MK ESSENTIALS I-SERIES

2 Module support frame centered (in 3M Size)

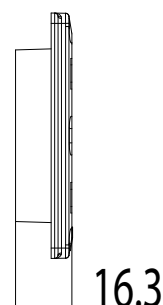
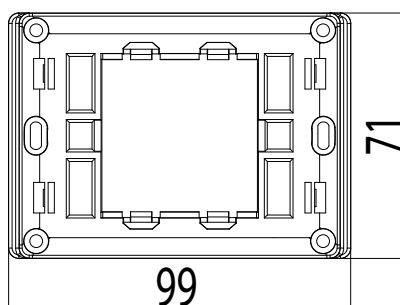
Standards and approvals

IEC60669-1

PRODUCT RANGE:		
MODULE	DESCRIPTION	PRODUCT CODE
2	2 MODULE SUPPORT FRAME CENTERED (3 M SIZE)	EGF112



TECHNICAL SPECIFICATION	
PHYSICAL	
COLOUR	
Black	
CERTIFICATION	
CE	
ROHS	
Compliant	
AMBIENT OPERATING TEMPERATURE	
-5 to +35°C	



NOTE:
Not to be used for Multiple 32A Switch Modules.

Ensure adequate segregation between mains voltage and low voltage devices.

Dimensions: 99mm x 71mm
Fixing Centres: 83.1mm
Base Depth: 16.3mm

WIRING DEVICES TECHNICAL

MK ESSENTIALS I-SERIES

mkelectric.com



2M Support Frame

Standards and approvals

IEC60669-1

PRODUCT RANGE:

MODULE	DESCRIPTION	PRODUCT CODE
2	2M SUPPORT FRAME	EGF212



TECHNICAL SPECIFICATION

PHYSICAL

COLOUR

Black

CERTIFICATION

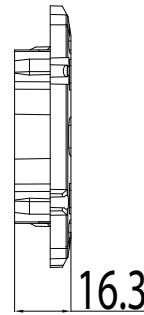
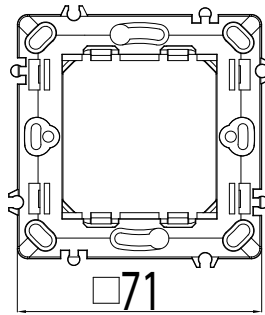
CE

ROHS

Compliant

AMBIENT OPERATING TEMPERATURE

-5 to +35°C



NOTE:

Not to be used for Multiple 32A Switch Modules.

Ensure adequate segregation between mains voltage and low voltage devices.

Dimensions: 99mm x 71mm

Fixing Centres: 60mm

Base Depth: 16.3mm

WIRING DEVICES TECHNICAL

MK ESSENTIALS I-SERIES

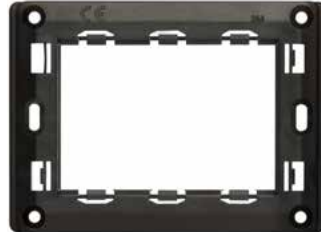
3 Module support frame

Standards and approvals

IEC60669-1

PRODUCT RANGE:

MODULE	DESCRIPTION	PRODUCT CODE
3	3 MODULE SUPPORT FRAME	EGF113



TECHNICAL SPECIFICATION

PHYSICAL

COLOUR

Black

CERTIFICATION

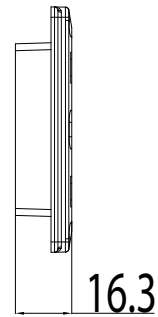
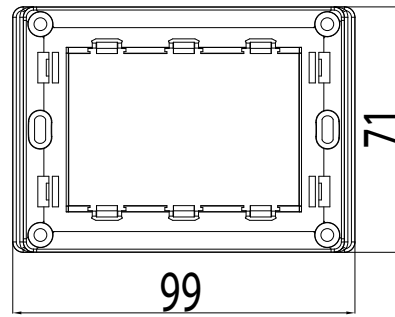
CE

ROHS

Compliant

AMBIENT OPERATING TEMPERATURE

-5 to +35°C



NOTE:

Not to be used for Multiple 32A Switch Modules.

Ensure adequate segregation between mains voltage and low voltage devices.

Dimensions: 71mm x 71mm

Fixing Centres: 83.20 mm

Base Depth: 16.3mm

WIRING DEVICES TECHNICAL

MK ESSENTIALS I-SERIES

mkelectric.com



4 Module support frame

Standards and approvals

IEC60669-1

PRODUCT RANGE:

MODULE	DESCRIPTION	PRODUCT CODE
4	4 MODULE SUPPORT FRAME	EGF114

TECHNICAL SPECIFICATION

PHYSICAL

COLOUR

Black

CERTIFICATION

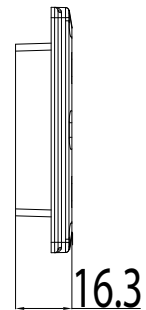
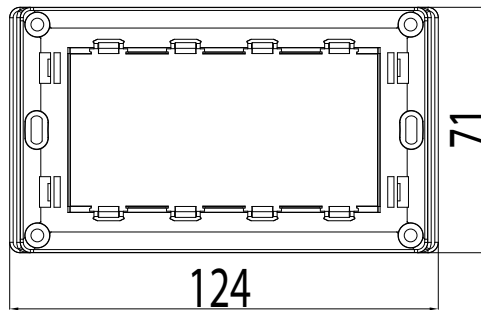
CE

ROHS

Compliant

AMBIENT OPERATING TEMPERATURE

-5 to +35°C



NOTE:

Not to be used for Multiple 32A Switch Modules.

Ensure adequate segregation between mains voltage and low voltage devices.

Dimensions: 124mm x 71mm
Fixing Centres: 108.4 mm
Base Depth: 16.3mm

IP55 Waterproof Cover for 3 Module

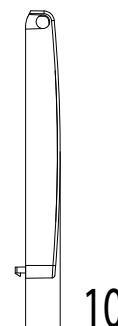
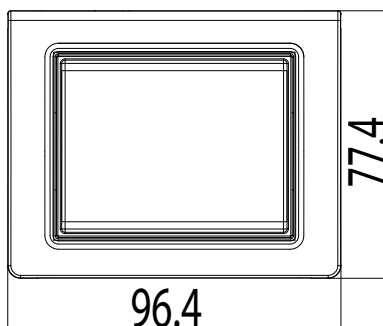
Standards and approvals

IEC60670-1 and IEC60529

PRODUCT RANGE:		
MODULE	DESCRIPTION	PRODUCT CODE
3	IP55 WATERPROOF COVER FOR 3 MODULE	EG1003***



TECHNICAL SPECIFICATION
PHYSICAL
COLOUR White
CERTIFICATION CE
ROHS Compliant
AMBIENT OPERATING TEMPERATURE -5 to +35°C



NOTE:

Not to be used for Multiple 32A Switch Modules.

IP55 maintained with lid closed.

Ensure adequate segregation between mains voltage and low voltage devices.

Ensure aperture is completely filled with products. Blank Cover Plate 1 Module EG188 can be used.

Dimensions: 96.4mm x 77.4mm
Frontplate Thickness: 10mm
Base Depth: 16.3mm

WIRING DEVICES TECHNICAL

MK ESSENTIALS I-SERIES

mkelectric.com



16A 2P+E German Socket with shutter - 2 module

Standards and approvals

IEC60884-1



PRODUCT RANGE:

MODULE	DESCRIPTION	PRODUCT CODE
2	16A 2P+E GERMAN SOCKET WITH SHUTTER - 2 MODULE	EG5831***

TECHNICAL SPECIFICATION

ELECTRICAL

RATED CURRENT

16A

RATED VOLTAGE

250V~

WIRING CAPACITY

2 x 1.5 mm²2 x 2.5 mm²

PHYSICAL

COLOUR

White, Green, Orange, Red

CERTIFICATION

CE

ROHS

Compliant

TERMINAL TYPE

Screw

MOUNTING BOX

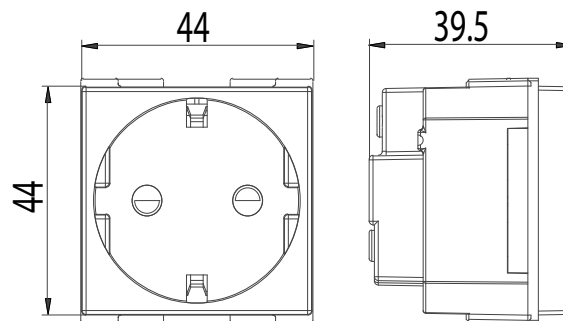
≥ 37 mm (depth)

AMBIENT OPERATING TEMPERATURE

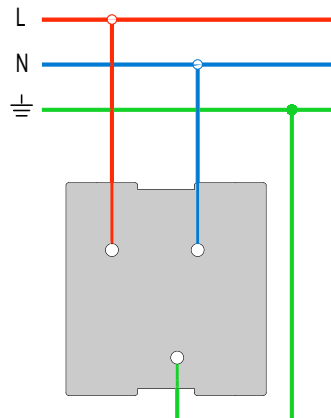
-5 to +35°C

IP DEGREE

IP20



Dimensions: 44mm x 44mm
Base Depth: 39.5mm



FEATURES

- Side access terminal screws

16A 2P Euroamerican Socket with shutter 127/250v AC 1 module

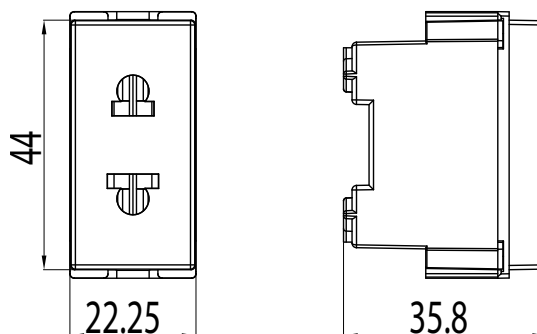
Standards and approvals

IEC60884-1 (where applicable)

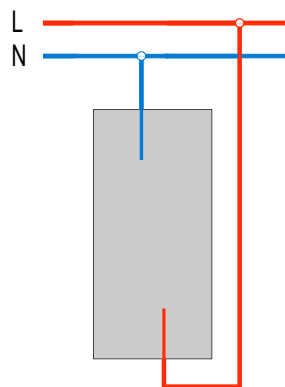
PRODUCT RANGE:		
MODULE	DESCRIPTION	PRODUCT CODE
1	16A 2P EUROAMERICAN SOCKET WITH SHUTTER 127/250V AC 1 MODULE	EG5855***



TECHNICAL SPECIFICATION
ELECTRICAL
RATED CURRENT US 15A / EU 16A
RATED VOLTAGE US 127V~ / EU 250V~
WIRING CAPACITY 2 x 1.5 mm ² 2 x 2.5 mm ²
PHYSICAL
COLOUR White
CERTIFICATION CE
ROHS Compliant
TERMINAL TYPE Screw
MOUNTING BOX ≥ 34 mm (depth)
AMBIENT OPERATING TEMPERATURE -5 to +35°C
IP DEGREE IP20



Dimensions: 22.25mm x 44mm
Base Depth: 35.8mm



FEATURES

- Side access terminal screws

WIRING DEVICES TECHNICAL

MK ESSENTIALS I-SERIES

mkelectric.com



16A 2P+E Italian Socket with shutter with earth 1 module

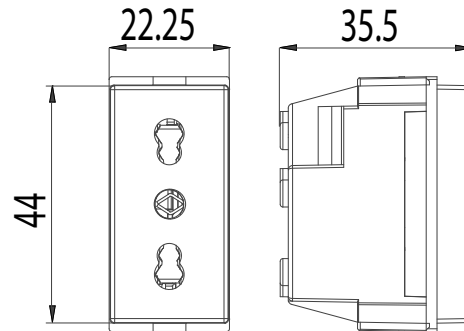
Standards and approvals

IEC60884-1

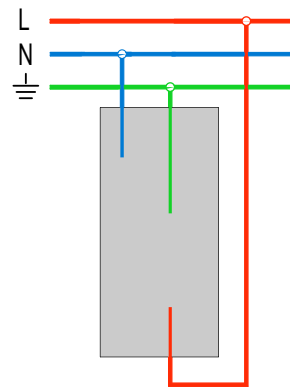
PRODUCT RANGE:		
MODULE	DESCRIPTION	PRODUCT CODE
1	16A 2P+E ITALIAN SOCKET WITH SHUTTER WITH EARTH 1 MODULE	EG5882***



TECHNICAL SPECIFICATION
ELECTRICAL
RATED CURRENT 10/16A
RATED VOLTAGE 250V~
WIRING CAPACITY 2 x 1.5 mm ² 2 x 2.5 mm ²
PHYSICAL
COLOUR White
CERTIFICATION CE
ROHS Compliant
TERMINAL TYPE Screw
MOUNTING BOX ≥ 34 mm (depth)
AMBIENT OPERATING TEMPERATURE -5 to +35°C
IP DEGREE IP20



1 Dimensions: 22.25mm x 44mm
Base Depth: 35.5mm



FEATURES

- Side access terminal screws

16AX Single Pole 1 Way Switch

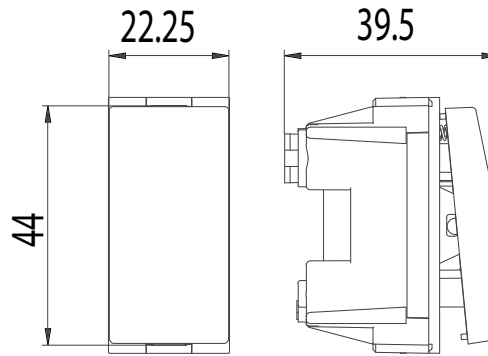
Standards and approvals

IEC60669-1

PRODUCT RANGE:		
MODULE	DESCRIPTION	PRODUCT CODE
1	16AX SINGLE POLE 1 WAY SWITCH	EG3881***



TECHNICAL SPECIFICATION
ELECTRICAL
RATED CURRENT 16AX
RATED VOLTAGE 250V~
WIRING CAPACITY 2 x 1.5 mm ² 2 x 2.5 mm ²
PHYSICAL
COLOUR White
CERTIFICATION CE
ROHS Compliant
TERMINAL TYPE Screw
MOUNTING BOX ≥ 31 mm (depth)
AMBIENT OPERATING TEMPERATURE -5 to +35°C



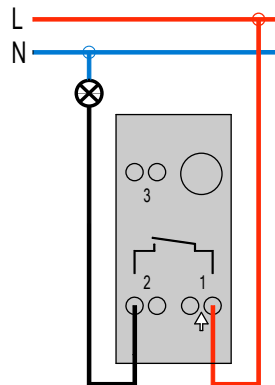
Dimensions: 22.25mm x 44mm
Base Depth: 39.5mm

FEATURES

- Side access terminal screws

The maximum number or maximum wattage of each lighting circuit incorporating electronic ballasted lamps should be such that the inrush current should not exceed the following parameter:

RATED CURRENT	I _{PEAK}	I ² T	RECOMMENDED WATTAGE (INCLUDE SBL - SELF BALLASTED LAMP)
16AX	170A	9A ² s	200W



WIRING DEVICES TECHNICAL

MK ESSENTIALS I-SERIES

mkelectric.com



16AX Single Pole 2 Way Switch

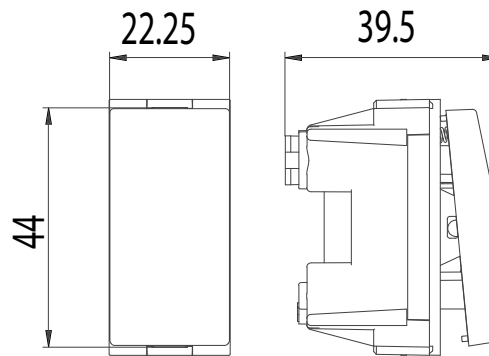
Standards and approvals

IEC60669-1

PRODUCT RANGE:		
MODULE	DESCRIPTION	PRODUCT CODE
1	16AX SINGLE POLE 2 WAY SWITCH	EG3882***



TECHNICAL SPECIFICATION
ELECTRICAL
RATED CURRENT 16AX
RATED VOLTAGE 250V~
WIRING CAPACITY 2 x 1.5 mm ² 2 x 2.5 mm ²
PHYSICAL
COLOUR White
CERTIFICATION CE
ROHS Compliant
TERMINAL TYPE Screw
MOUNTING BOX ≥ 31 mm (depth)
AMBIENT OPERATING TEMPERATURE -5 to +35°C



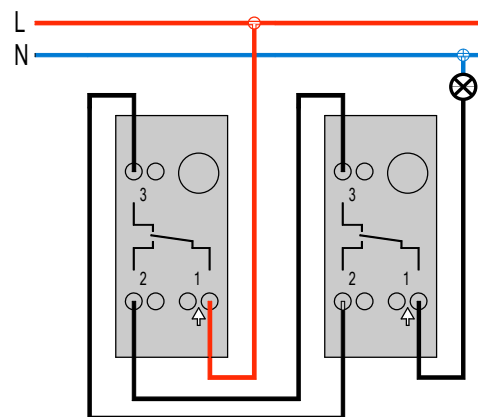
Dimensions: 22.25mm x 44mm
Base Depth: 39.5mm

FEATURES

- Side access terminal screws

The maximum number or maximum wattage of each lighting circuit incorporating electronic ballasted lamps should be such that the inrush current should not exceed the following parameter:

RATED CURRENT	I _{PEAK}	I ² T	RECOMMENDED WATTAGE (INCLUDE SBL - SELF BALLASTED LAMP)
16AX	170A	9A ² s	200W



16AX Single Pole Intermediate Switch

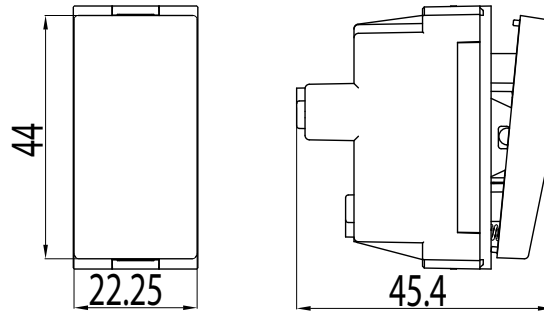
Standards and approvals

IEC60669-1

PRODUCT RANGE:		
MODULE	DESCRIPTION	PRODUCT CODE
1	16AX SINGLE POLE INTERMEDIATE SWITCH	EG3894***



TECHNICAL SPECIFICATION
ELECTRICAL
RATED CURRENT 16AX
RATED VOLTAGE 250V~
WIRING CAPACITY 2 x 1.5 mm ² 2 x 4 mm ²
PHYSICAL
COLOUR White
CERTIFICATION CE
ROHS Compliant
TERMINAL TYPE Screw
MOUNTING BOX ≥ 31 mm (depth)
AMBIENT OPERATING TEMPERATURE -5 to +35°C



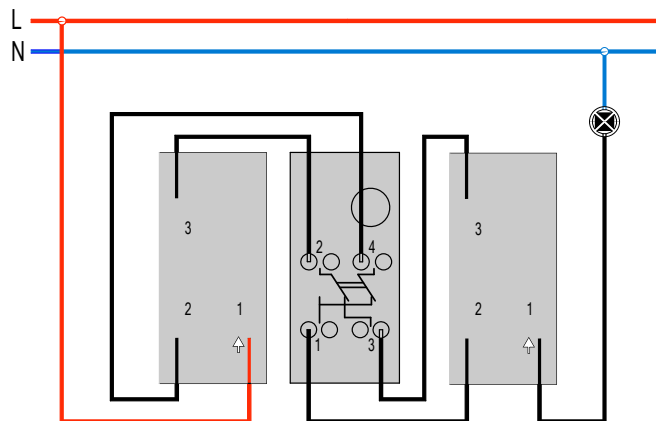
Dimensions: 22.25mm x 44mm
Base Depth: 45.4mm

FEATURES

- Side access terminal screws

The maximum number or maximum wattage of each lighting circuit incorporating electronic ballasted lamps should be such that the inrush current should not exceed the following parameter:

RATED CURRENT	I _{PEAK}	I ² T	RECOMMENDED WATTAGE (INCLUDE SBL - SELF BALLASTED LAMP)
16AX	170A	9A ² s	200W



WIRING DEVICES TECHNICAL

MK ESSENTIALS I-SERIES

mkelectric.com



16AX Single Pole Push Button 1 Way Switch

Standards and approvals

IEC60669-1



PRODUCT RANGE:

MODULE	DESCRIPTION	PRODUCT CODE
1	16AX SINGLE POLE PUSH BUTTON 1 WAY SWITCH	EG3885***

TECHNICAL SPECIFICATION

ELECTRICAL

RATED CURRENT

16AX

RATED VOLTAGE

250V~

WIRING CAPACITY

2 x 1.5 mm²2 x 4 mm²

PHYSICAL

COLOUR

White

CERTIFICATION

CE

ROHS

Compliant

TERMINAL TYPE

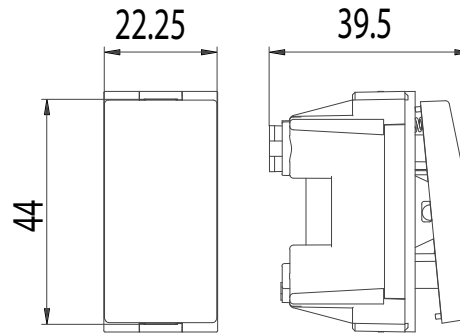
Screw

MOUNTING BOX

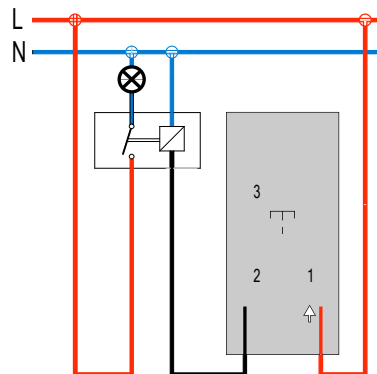
≥ 31 mm (depth)

AMBIENT OPERATING TEMPERATURE

-5 to +35°C



Dimensions: 22.25mm x 44mm
Base Depth: 39.5mm



FEATURES

- Side access terminal screws

The maximum number or maximum wattage of each lighting circuit incorporating electronic ballasted lamps should be such that the inrush current should not exceed the following parameter:

RATED CURRENT	I _{PEAK}	I ² T	RECOMMENDED WATTAGE (INCLUDE SBL - SELF BALLASTED LAMP)
16AX	170A	9A ² s	200W

16AX Single Pole Push Button Switch with Bell Symbol

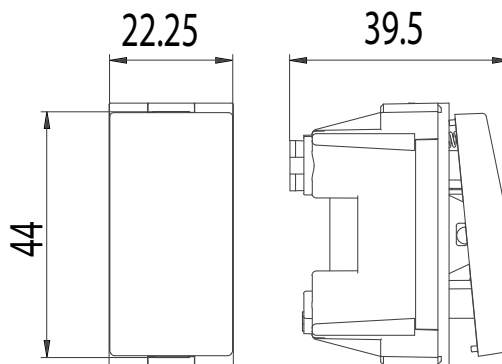
Standards and approvals

IEC60669-1

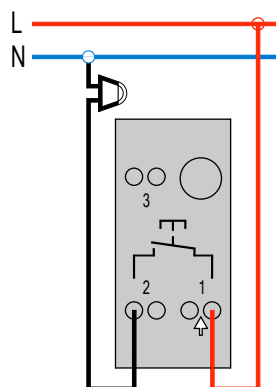
PRODUCT RANGE:		
MODULE	DESCRIPTION	PRODUCT CODE
1	16AX SINGLE POLE PUSH BUTTON SWITCH WITH BELL SYMBOL	EG3885B***



TECHNICAL SPECIFICATION	
ELECTRICAL	
RATED CURRENT	
16AX	
RATED VOLTAGE	
250V~	
WIRING CAPACITY	
2 x 1.5 mm ²	
2 x 4 mm ²	
PHYSICAL	
COLOUR	
White	
CERTIFICATION	
CE	
ROHS	
Compliant	
TERMINAL TYPE	
Screw	
MOUNTING BOX	
≥ 31 mm (depth)	
AMBIENT OPERATING TEMPERATURE	
-5 to +35°C	



Dimensions: 22.25mm x 44mm
Base Depth: 39.5mm



FEATURES

- Side access terminal screws

The maximum number or maximum wattage of each lighting circuit incorporating electronic ballasted lamps should be such that the inrush current should not exceed the following parameter:

RATED CURRENT	I _{PEAK}	I ² T	RECOMMENDED WATTAGE (INCLUDE SBL - SELF BALLASTED LAMP)
16AX	170A	9A ² s	200W

WIRING DEVICES TECHNICAL

MK ESSENTIALS I-SERIES

mkelectric.com



16AX Single Pole Push Switch with LED

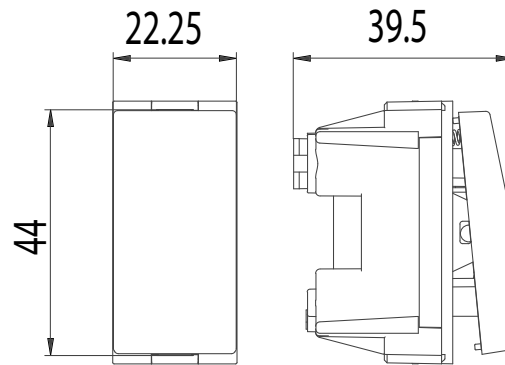
Standards and approvals

IEC60669-1

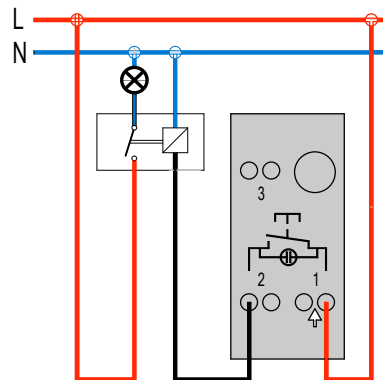
PRODUCT RANGE:		
MODULE	DESCRIPTION	PRODUCT CODE
1	16AX SINGLE POLE PUSH SWITCH WITH LED	EG3885N***



TECHNICAL SPECIFICATION
ELECTRICAL
RATED CURRENT
16AX
RATED VOLTAGE
250V~
WIRING CAPACITY
2 x 1.5 mm ²
2 x 4 mm ²
PHYSICAL
COLOUR
White
CERTIFICATION
CE
ROHS
Compliant
TERMINAL TYPE
Screw
MOUNTING BOX
≥ 31 mm (depth)
AMBIENT OPERATING TEMPERATURE
-5 to +35°C



Dimensions: 22.25mm x 44mm
Base Depth: 39.5mm



FEATURES

- Side access terminal screws
- LED locator available making switch easy to find in darkened rooms

The maximum number or maximum wattage of each lighting circuit incorporating electronic ballasted lamps should be such that the inrush current should not exceed the following parameter:

RATED CURRENT	I _{PEAK}	I ² T	RECOMMENDED WATTAGE (INCLUDE SBL - SELF BALLASTED LAMP)
16AX	170A	9A ² s	200W

32A Double Pole Switch with in 1 Module Size

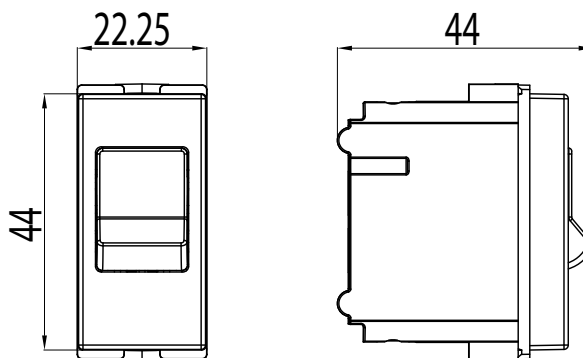
Standards and approvals

IEC60669-1

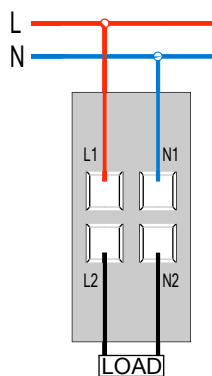
PRODUCT RANGE:		
MODULE	DESCRIPTION	PRODUCT CODE
1	32A DOUBLE POLE SWITCH WITH IN 1 MODULE SIZE	EG3897N***



TECHNICAL SPECIFICATION
ELECTRICAL
RATED CURRENT 32A
RATED VOLTAGE 250V~
WIRING CAPACITY 1 x 4 mm ² 1 x 10 mm ²
PHYSICAL
COLOUR White
CERTIFICATION CE
ROHS Compliant
TERMINAL TYPE Screw
MOUNTING BOX ≥ 38 mm (depth)
AMBIENT OPERATING TEMPERATURE -5 to +35°C



Dimensions: 22.25mm x 44mm
Base Depth: 44mm



FEATURES

- Side access terminal screws
- Red marking available making switch easy to notice "ON" or "OFF" position

NOTE:
Multiple 32A Switch Modules not to be mounted in same Frame.

WIRING DEVICES TECHNICAL

MK ESSENTIALS I-SERIES

mkelectric.com

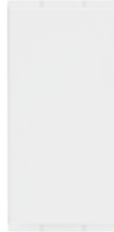


Blank cover plate 1 Module

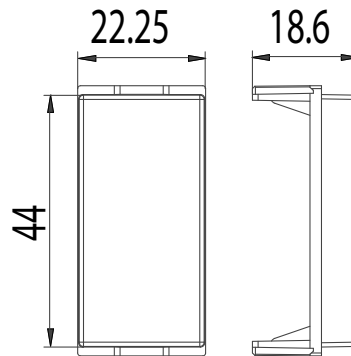
Standards and approvals

IEC60670-1

PRODUCT RANGE:		
MODULE	DESCRIPTION	PRODUCT CODE
1	BLANK COVER PLATE 1 MODULE	EG188***



TECHNICAL SPECIFICATION	
PHYSICAL	
COLOUR	White
CERTIFICATION	CE
ROHS	Compliant
AMBIENT OPERATING TEMPERATURE	-5 to +35°C



Dimensions: 22mm x 44mm
Base Depth: 18.6mm

WIRING DEVICES TECHNICAL

MK ESSENTIALS I-SERIES

Blank cover plate 1 Module with outlet for co-axial cable 9.5mm

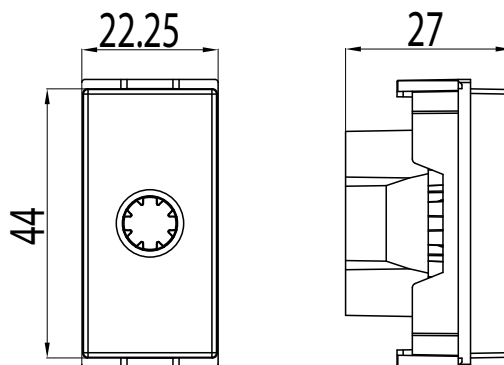
Standards and approvals

IEC60670-1

PRODUCT RANGE:		
MODULE	DESCRIPTION	PRODUCT CODE
1	BLANK COVER PLATE 1 MODULE WITH OUTLET FOR CABLE 9.5MM	EG189***



TECHNICAL SPECIFICATION
PHYSICAL
COLOUR White
CERTIFICATION CE
ROHS Compliant
WIRING CAPACITY Ø 9.5mm
MOUNTING BOX ≥ 37 mm (depth)
AMBIENT OPERATING TEMPERATURE -5 to +35°C



Dimensions: 22.25mm x 44mm
Base Depth: 27mm

NOTE:
Suitable for maximum co-axial cable OD 9.5mm only.

WIRING DEVICES TECHNICAL

MK ESSENTIALS I-SERIES

F type coaxial TV Socket - 1 Module

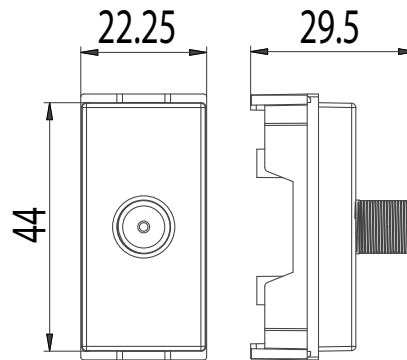
Standards and approvals

IEC61169-24

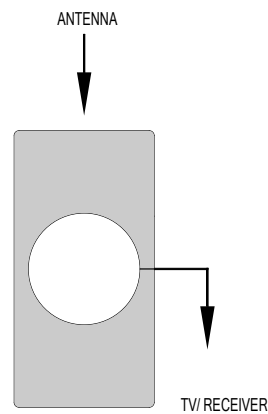
PRODUCT RANGE:		
MODULE	DESCRIPTION	PRODUCT CODE
1	F TYPE COAXIAL TV SOCKET - 1 MODULE	EG5854***



TECHNICAL SPECIFICATION
PHYSICAL
COLOUR White
CERTIFICATION CE
ROHS Compliant
TERMINAL TYPE Screw
MOUNTING BOX ≥ 15 mm (depth)
AMBIENT OPERATING TEMPERATURE -5 to +35°C



Dimensions: 22.25mm x 44mm
Base Depth: 29.5mm



RJ11 Telephone Outlet 1 Module - 4 PIN

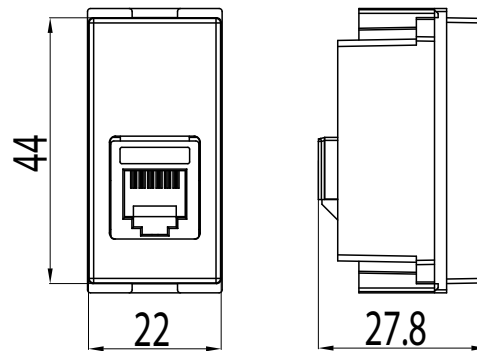
Standards and approvals

IEC11801, IEC62949

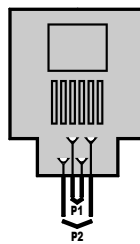
PRODUCT RANGE:		
MODULE	DESCRIPTION	PRODUCT CODE
1	RJ11 TELEPHONE OUTLET 1 MODULE - 4 PIN	EG5887***



TECHNICAL SPECIFICATION
PHYSICAL
COLOUR White
CERTIFICATION CE
ROHS Compliant
TERMINAL TYPE Screw
MOUNTING BOX ≥ 26 mm (depth)
AMBIENT OPERATING TEMPERATURE -5 to +35°C



Dimensions: 22mm x 44mm
Base Depth: 27.8mm



WIRING DEVICES TECHNICAL

MK ESSENTIALS I-SERIES

mkelectric.com



RJ45 Data Outlet - Cat6 1 Module

Standards and approvals

IEC11801, IEC62949

PRODUCT RANGE:

MODULE	DESCRIPTION	PRODUCT CODE
1	RJ45 DATA OUTLET - CAT6 1 MODULE	EG5846***



TECHNICAL SPECIFICATION

PHYSICAL

COLOUR

White

CERTIFICATION

CE

ROHS

Compliant

TERMINAL TYPE

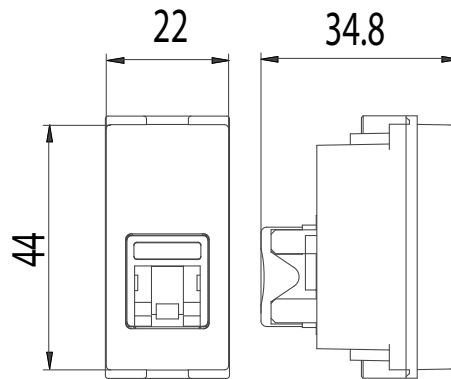
Screw

MOUNTING BOX

≥ 33 mm (depth)

AMBIENT OPERATING TEMPERATURE

-5 to +35°C



Dimensions: 22mm x 44mm
Base Depth: 34.8mm

