

LED Annunciators

5865-3 / 5865-4

5865-3 and 5865-4 LED annunciators provide 30 programmable LEDs (15 red, 15 yellow) for maximum flexibility with the Stanley fire alarm control panel. The 5865-3 fits into a standard 3-gang electrical box and the 5865-4 fits into a standard 4-gang electrical box. The annunciators are covered by semi-transparent labels and a cover plate. Up to eight 5865 series annunciators can be used with the FACP.

The 5865-3 provides alarm and trouble annunciation for 15 zones while the 5865-4 adds reset and silence input switches for even more versatility.

Features

- 30 programmable LED outputs (15 red and 15 yellow)
- Up to 8 5865s can be used on one panel
- Fit into a standard 3- or 4-gang electrical box
- Comes with four semi-transparent labels that can be typed or printed on
- DIP switch addressable
- Connects to FACP SBUS.
- Both modules UL 864 listed; comply with NFPA 72
- 4-wire connection to FACP SBUS
- MEA Approved 429-92-E, Vol 9
- CSFM Approved

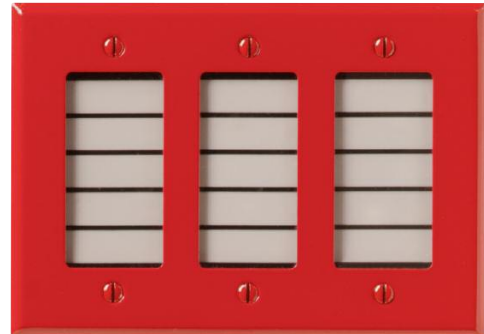
Specifications

Operating Voltage:	24 VDC
Standby Current:	35 mA
Alarm Current:	145 mA
Ambient Temperature:	32°F to 120°F (0°C to 49°C)
Mounting:	5665-3: 3-gang electrical box 5665-4: 4-gang electrical box

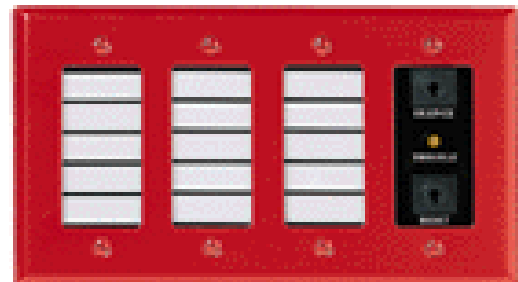
Agency Listings



MEA
429-92-E Vol IX



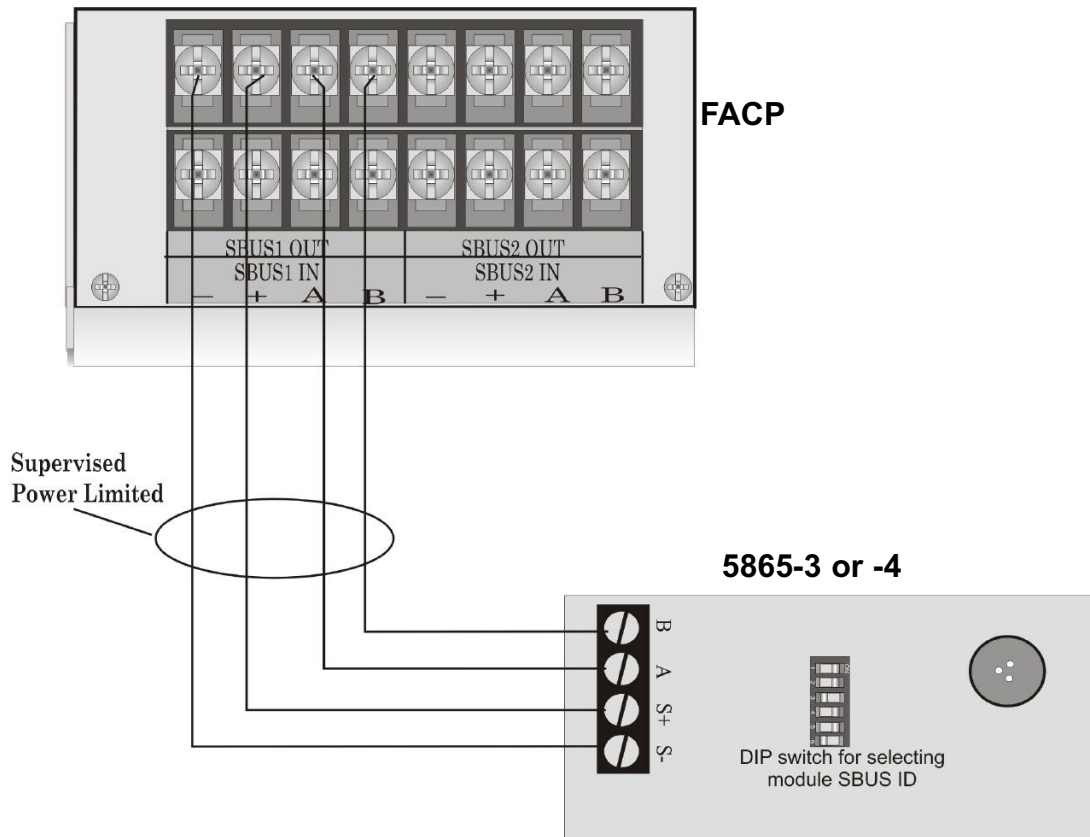
5865-3



5865-4

Compatible Control Panel

- SCSS-700 / SCSS-700ND



Wiring Diagram

Ordering Information

5865-3 LED Annunciator 15 Zone

5865-4 LED Annunciator 15 Zone w/Switches