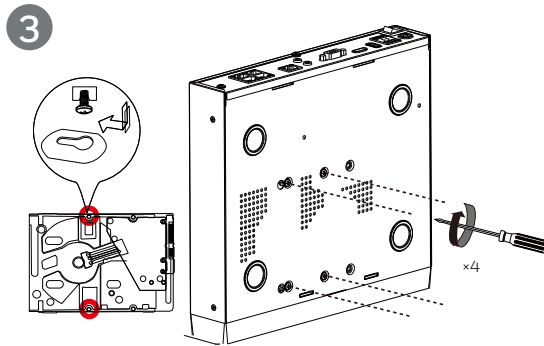
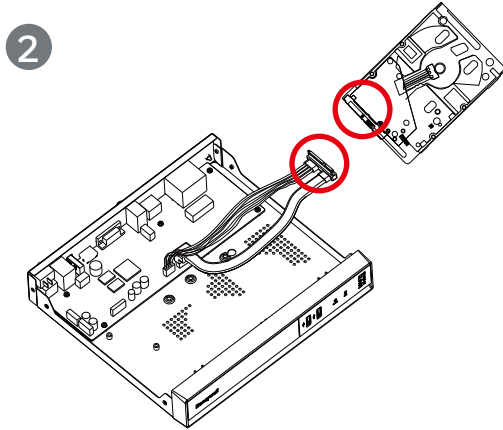
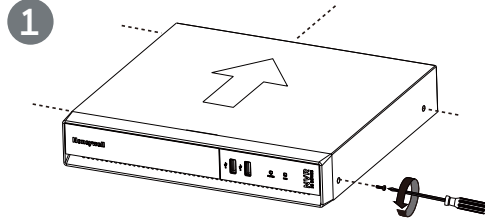




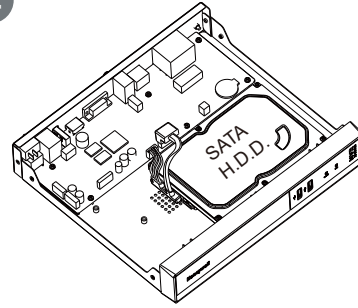
HN350401 HN350802****
HN351602 HN35**0*00N**
Network Video Recorder
Quick Installation Guide



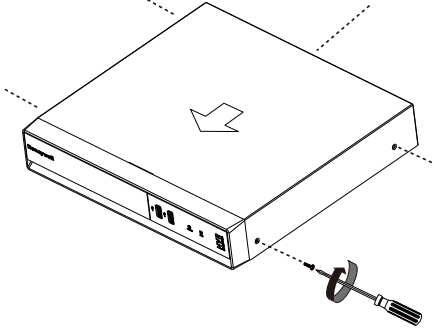
For Single Disk
 HN350401**/HN35040100N/HN35080100N



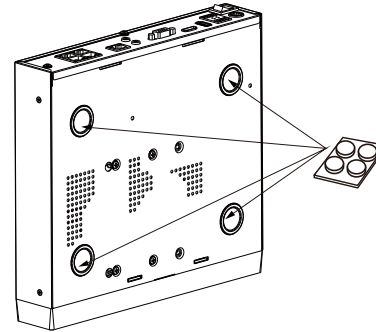
4



5

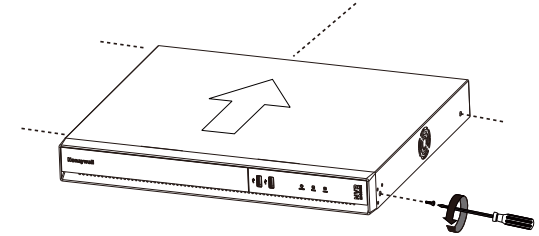


6

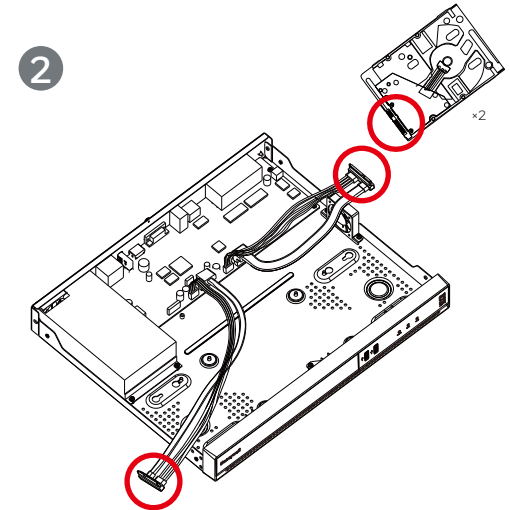


For Dual-Disk
 HN350802**/HN351602**/HN35160200N

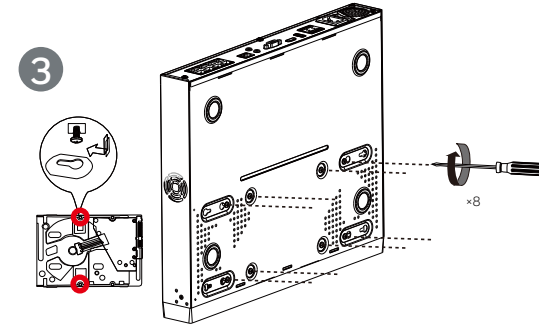
1



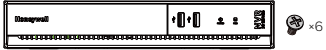
2



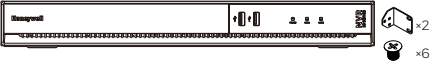
3



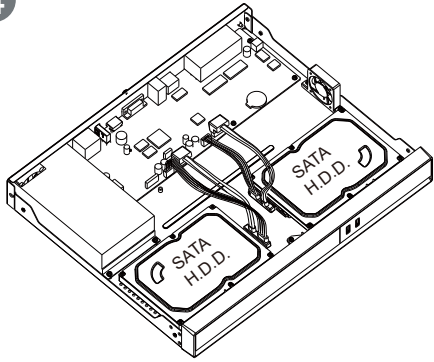
HN350401**, HN35040100N, HN35080100N



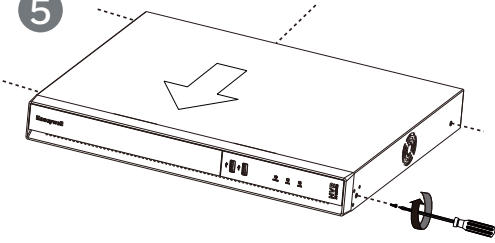
HN350802**, HN351602**, HN35160200N



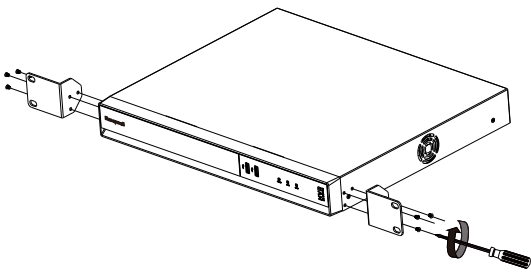
4



5

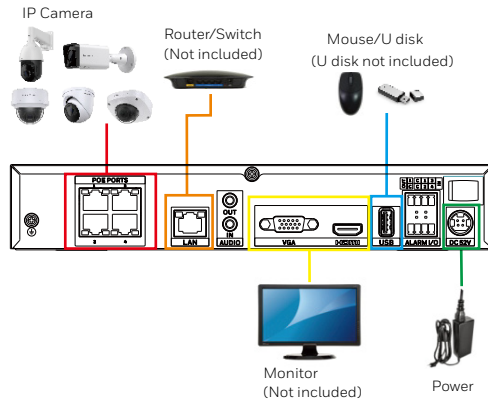


6

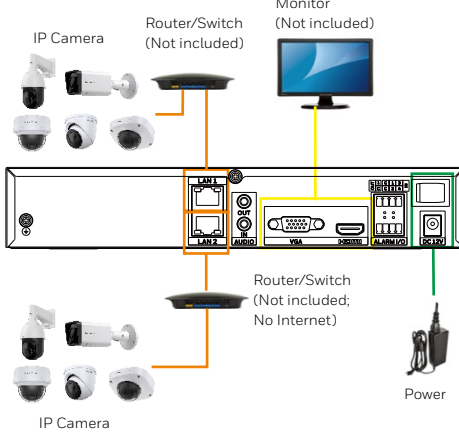


7

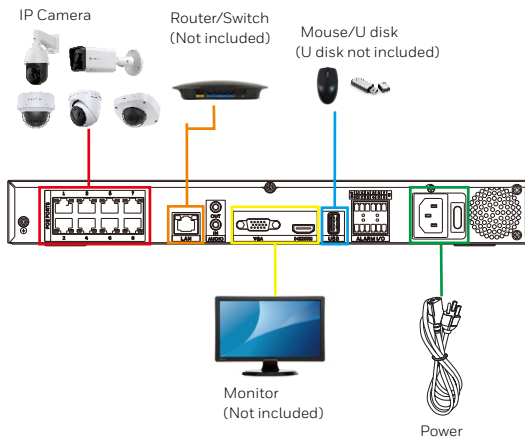
HN350401**



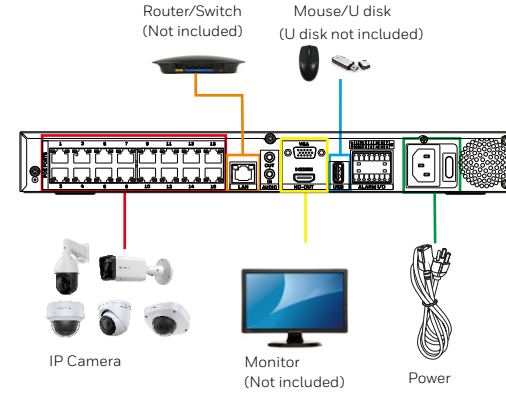
HN35040100N/HN35080100N



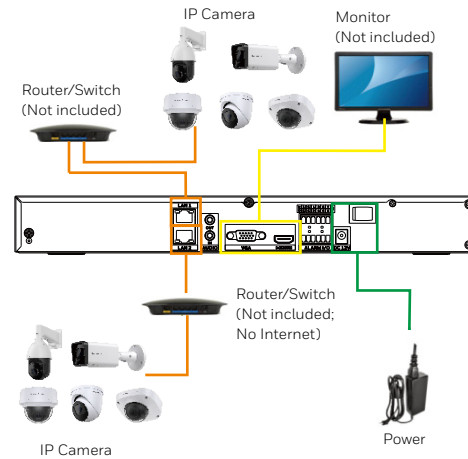
HN350802**



HN351602**



HN35160200N



Compatible Cameras

HC35W43R3	HC35W43R2	HC35WB3R3	HC35WB3R2	HC35WE3R3
HC35WE3R2	HC35W45R3	HC35W45R2	HC35WB5R3	HC35WB5R2
HC35WE5R3	HC35WE5R2	HC35W25R3	HC35W48R3	HC35W48R2
HC35WB8R3	HC35WB8R2	HC35WE8R3	HC35WE8R2	HC35WZ2R25
HC35WZ5R30				
HC30W42R3	HC30W45R3	HC30W45R2	HC30WB2R1	HC30WB5R1
HC30WB5R2	HC30WE2R3	HC30WE5R3	HC30WE5R2	HC30WF5R1
HC30W25R3	HC30W25R3-12V			
HC60W35R2	HC60W35R4	HC60W45R2	HC60W45R4	HC60WB5R2
HC60WB5R5	HC60WZ2E30	HC60WZ2R40	HC60WZ5R30	HC60W44R2
HC60W44R2L	HC60W34R2	HC60W34R2L	HC60WB4R2	HC60WB4R2L
HC70W48R2	HC70WB8R2	HCWZ5I30		

Cautions and Warnings

	CAUTION RISK OF ELECTRIC SHOCK DO NOT OPEN		THIS SYMBOL INDICATES THAT DANGEROUS VOLTAGE CONSTITUTING A RISK OF ELECTRIC SHOCK IS PRESENT WITHIN THE UNIT.
	CAUTION: TO REDUCE THE RISK OF ELECTRIC SHOCK, DO NOT REMOVE COVER (OR BACK). NO USER SERVICEABLE PARTS INSIDE. REFER SERVICING TO QUALIFIED SERVICE PERSONNEL.		THIS SYMBOL INDICATES THAT IMPORTANT OPERATING AND MAINTENANCE INSTRUCTIONS ACCOMPANY THIS UNIT.

- WARNING** Installation and servicing should be performed only by qualified and experienced technicians to conform to all local codes and to maintain your warranty.
- WARNING** Use only with the supplied power cable.
Power output: HN350401** for 45W and HN350802**/HN351602** for 130W, PoE 802.3at/af in total.
- Caution** The Honeywell product uses a 3.3V CR2032 lithium battery as the power supply for its internal real-time clock (RTC). Low battery power affects the operation of the RTC, causing it to reset at every power-up.
Risk of explosion if the battery is incorrectly replaced.
Dispose of used batteries according to local regulations or the battery manufacturer's instructions.
Make sure the product is power-down before removal. Then carefully remove the battery.
Replace only with an identical battery or a battery which is recommended by Honeywell.

Important Safeguards

- Read and keep these instructions.
- Please ensure that your installation area can safely support the weight of the unit.
- Do not drop the unit or subject it to physical shock.
- Avoid operating or storing the unit in extremely humid, dusty, hot/cold environments where the operating temperature is outside the recommended range of 14°F to 131°F (-10°C to 55°C).
- Avoid operating the unit close to sources of powerful electromagnetic radiation, such as radio or TV transmitters.

Regulatory Statements

FCC Statement of Compliance

This equipment has been tested and found to comply with the limits for a Class A digital device, pursuant to part 15 of the FCC Rules. These limits are designed to provide reasonable protection against harmful interference when the equipment is operated in a commercial environment. This equipment generates, uses, and can radiate radio frequency energy and, if not installed and used in accordance with the instruction manual, may cause harmful interference to radio communications. Operation of this equipment in a residential area is likely to cause harmful interference in which case the user will be required to correct the interference at his own expense. Changes or modifications not expressly approved by the party responsible for compliance could void the user's authority to operate the equipment.
This Class A digital apparatus complies with Canadian ICES-003.

Manufacturer's Declaration of Conformance

North America

The equipment supplied with this guide conforms to UL 62368-1 and CSA C22.2 No. 62368-1.

Europe

The manufacturer declares that the equipment supplied with this guide is compliant with the European Parliament and Council Directive on the Restrictions of the use of certain hazardous substances in electrical and electronic equipment (2011/65/EU) as Amended by RoHS 3 (2015/863), and the essential requirements of the EMC Directive (2014/30/EU), conforming to the requirements of standards EN 55032 for emissions, EN 50130-4 for immunity, and EN 62368-1 for electrical equipment safety.

CAUTION This is a Class A product. In a domestic environment, this product may cause radio interference in which case the user may be required to take adequate measures.

Waste Electrical and Electronic Equipment (WEEE)



Correct Disposal of this Product (applicable in the European Union and other European countries with separate collection systems).

This product should be disposed of, at the end of its useful life, as per applicable local laws, regulations, and procedures.

Check Local Waste Guidelines

Components of this product require separate waste collection.
Check local waste guidelines for sorting rules.



Covered by one or more claims of the patents listed at patentlist.hevcadvance.com

Please be aware that this product can store personal data.

Personal data is protected by the General Data Protection Regulation (2016/679) in Europe and therefore the owners of personal data have obtained certain rights thanks to this regulation.

We strongly advise you to be fully aware of these owner ("data subjects") rights as well as which limitations you have to obey regarding the use and distribution of this data.

Further details can be found on the GDPR website of the EU:

https://ec.europa.eu/commission/priorities/justice-and-fundamental-rights/data-protection/2018-reform-eu-data-protection-rules_en

Honeywell

<https://buildings.honeywell.com/security>

+1 800 323 4576 (North America)

Document 800-27004 – Rev B – 03/2022

© 2022 Honeywell International Inc. All rights reserved. No part of this publication may be reproduced by any means without written permission from Honeywell. The information in this publication is believed to be accurate in all respects. However, Honeywell cannot assume responsibility for any consequences resulting from the use thereof. The information contained herein is subject to change without notice. Revisions or new editions to this publication may be issued to incorporate such changes. For patent information, see www.honeywell.com/patent.