

# Intrinsically Safe Call Point Range

## IS MCP 4 Double Pole Changeover Contact Model (Red Versions)



- Unique 'Plug & Play' installation concept
- Total 'Flex-Ability' in the choice of operating element
- Anti-Tamper facility
- Enhanced aesthetics
- Fully approved to the latest standards
- Backward compatibility



II 1 G EEx ia IIC T4  
Sira 04ATEX2350X

### Product Overview

An Intrinsically Safe version of our MCP4A indoor call point is available for installation in hazardous areas. These call points are manufactured to protect against other hazards, as defined in paragraph 1.2.7 of annex II of the ATEX Directive 94/9/EC. They are intended for use within Intrinsically Safe (I.S.) systems using suitable I.S. barriers. For a list of suitable barriers see reverse.

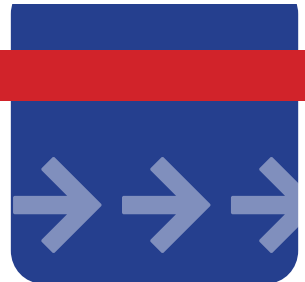
Installation efficiency, flexibility and full compliance with the latest standards are at the heart of the new Indoor Call Point range.

Installation time and ultimately cost, are of paramount importance to any fire or security installer. The MCP range directly reflects this need by providing a unique 'plug and play' concept designed specifically to reduce installation time. All new MCP products utilise a special terminal block, where all initial installation cabling is terminated. This terminal block is then simply connected to the back of the MCP. Simple, but effective with no re-termination required and no time wasted.

Through new standards and legislation, both break glass and resettable operating elements can now be used within a manual call point. To provide you with the greatest 'flex-ability', the new MCP range can be configured as either a break glass or resettable unit by simply changing from one element to another. No other additional parts or alternative products need to be ordered.

All MCP Indoor Call Point products also help preserve the integrity of the overall system as illegal removal of the product lid will result in the call point operating and the system going in to alarm.

The MCP4A product version is supplied with a double pole changeover set of contacts. The product utilises two terminal blocks and wiring to the relevant terminals on these terminal connector blocks provides either a 'normally open' or 'normally closed' operation (see wiring diagram overleaf).





Connection Details:  
 Cable Termination:  
 Maximum Voltage:  
 Maximum current:  
 Maximum Power:  
 Certification Details:


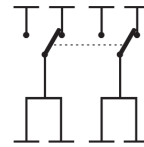
See Figure .1  
 0.5-2.5mm<sup>2</sup>  
 30VDC  
 500mA  
 1W  
 II 1 G EEx ia IIC T4  
 Sira 04ATEX2350X

Figure .1

MUS4A-X  
 IS-MCP4A-X



Suitable IS Barriers:

**Pepperl & Fuchs -  
 MTL -**

KFDO-Cs-Ex 1.51P (BAS98ATEX7343), KFDO-Cs-Ex 2.51P (BAS98ATEX7343)  
 MTL4061 (BAS01ATEX7176), MTL5061 (BAS01ATEX7160)

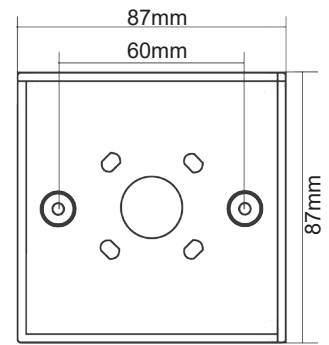
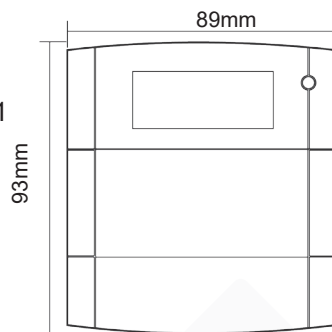
A certified shunt zener barrier may be used having the following output parameters;

U<sub>z</sub> - 28V, I<sub>max</sub> - 93.3mA, W<sub>max</sub> - 0.67W

## En

Humidity: 93± 3% non-condensing  
 Ambient Temperature Range: -10°C to + 55°C  
 Ingress Protection (IP) Rating: IP24D  
 For RoHS, WEEE & REACH information please see [www.kac.co.uk](http://www.kac.co.uk)

Material: PC/ABS  
 Weight: 130g Flush  
 180g Surface  
 Colour: Red, Ral 3001



## Ordering Information

Model	Electrical Configuration	Mounting	Operating Element	Markings
MCP4A-R000FG-K013-01IS	N/O & N/C contacts 30VDC	Flush	Glass	EN54-11
MCP4A-R000FF-K013-01IS	N/O & N/C contacts 30VDC	Flush	Flexi	EN54-11
MCP4A-R000SG-K013-01IS	N/O & N/C contacts 30VDC	Surface	Glass	EN54-11
MCP4A-R000SF-K013-01IS	N/O & N/C contacts 30VDC	Surface	Flexi	EN54-11

NIC = Normally Closed Contact  
 N/O = Normally Open Contact

### Accessories

Code	Description
SC070	Pack Of Ten Test Keys
KG1 x 5	Pack Of Five Glass Elements (Also available in packs of 10, 25 & 50)
PS210	Flexible Operating Element
PS200	Plain Hinged Cover
SC071	Pack Of Twenty Terminal Blocks

**KAC**

> [Learn More: kac.co.uk](http://www.kac.co.uk)