

# Intrinsically Safe Outdoor Call Points

## IS-WCP<sub>3</sub> NO/NC Contact Model

### (Red Versions)



- Sealed to IP67
- Unique 'Plug & Play' installation concept
- Total 'Flex-Ability' in the choice of operating element
- Anti-Tamper facility
- Enhanced aesthetics and compact design
- Fully approved to the latest standards
- CPD Approval



II 1GD Ex ia IIC T4 Ga  
Sira 06ATEX2131X  
IECEX SIR 08.0105X

## Product Overview

An Intrinsically Safe version of our WCP3A outdoor call point is available for installation in hazardous areas. These call points are manufactured to protect against other hazards, as defined in paragraph 1.2.7 of annex II of the ATEX Directive 94/9/EC. They are intended for outdoor use within Intrinsically Safe (I.S.) systems using suitable I.S. barriers (contact KAC for a list of approved barriers).

Installation efficiency, flexibility and full compliance with the latest standards are at the heart of the new WCP outdoor Call Point range.

The outdoor WCP is an IP67 sealed manual call point product. The enhanced environmental protection allows the unit to be installed in many external environments where water and dirt are likely to be present, making it a true waterproof and outdoor product.

Installation time and ultimately cost, are of paramount importance to any fire or security installer. The WCP range directly reflects this need by providing a unique 'plug and play' concept designed specifically to reduce installation time. All new WCP products utilise a special terminal block, where all initial installation cabling is terminated. This terminal block is then simply connected to the back of the WCP. Simple, but effective with no re-termination required and no time wasted. In addition, all WCP products are supplied with three standard 20mm threaded holes for cable entries, accommodating all types of surface wiring installations.

Through new standards and legislation, both break glass and re-settable operating elements can now be used within a manual call point. To provide you with the greatest 'flex-ability', the new WCP range can be configured as either a break glass or re-settable unit by simply changing from one element to another. No other additional parts or alternative products need to be ordered.

All WCP Outdoor Call Point products also help preserve the integrity of the overall system as illegal removal of the product lid will result in the call point operating and the system going in to alarm.

Full compliance with the latest standards is essential and the new WCP indoor call point range is fully approved to the latest EN54-11 standard.

The WCP3A product version is supplied with one normally open and one normally closed contact. Selecting either the "Normally Open" or "Normally Closed" contact is easily achieved by simply connecting the terminal block to the required connection in the back of the WCP3 product. Single pole changeover switching can be achieved with the use of two terminal blocks.

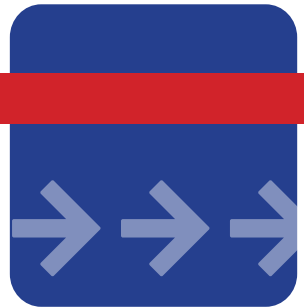
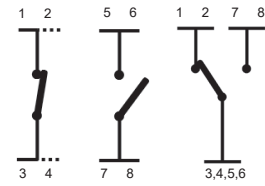


Figure .1

WCP3A-X



Connection Details: See Figure .1  
 Cable Termination: 0.5-2.5mm<sup>2</sup>  
 Maximum Voltage: 30VDC  
 Switch Rating: 2 Amps (limited by the barrier)  
 Certification Details: II 1GD Ex ia IIC T4 Ga (-30°C ≤ T<sub>a</sub> ≤ +70°C)  
 Ex iaD T135°C Da (-20°C ≤ T<sub>a</sub> ≤ +40°C) when P<sub>i</sub> = 0.75W  
 (-20°C ≤ T<sub>a</sub> ≤ +70°C) when P<sub>i</sub> = 0.65W  
 Sira 06ATEX2131X  
 IECEX SIR 08.0105X

Suitable IS Barriers:

**Pepperl & Fuchs -  
 MTL -**

KFDO-Cs-Ex 1.51P (BAS98ATEX7343), KFDO-Cs-Ex 2.51P (BAS98ATEX7343)  
 MTL4061 (BAS01ATEX7176), MTL5061 (BAS01ATEX7160)

A certified shunt zener barrier may be used having the following output parameters;

U<sub>z</sub> - 28V, I<sub>max</sub> - 93.3mA, W<sub>max</sub> - 0.67W

## En

Humidity: 0-93±3% non-condensing

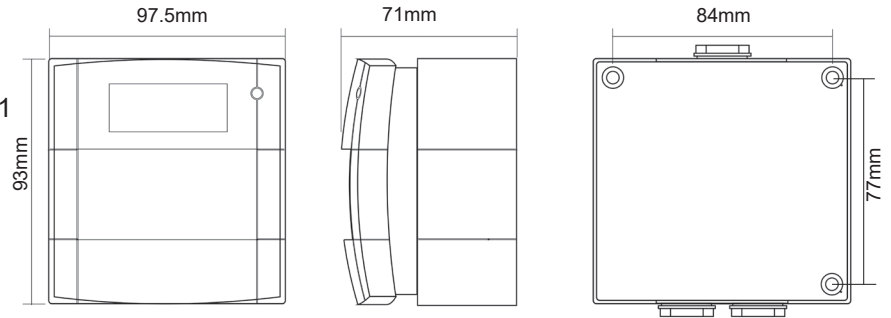
Operating Temperature: -25°C to +70°C

Storage Temperature: -25°C to +70°C

Ingress Protection (IP) Rating: IP67

For RoHS, WEEE & REACH data please see [www.kac.co.uk](http://www.kac.co.uk)

Material: PC/ABS  
 Weight: 350g  
 Colour: Red, Ral 3001



## Ordering Information

Model	Electrical Configuration	Mounting	Operating Element	Markings
WCP3A-R000SG-K013-01IS	N/O & N/C Contacts 30VDC	Surface	Glass	EN54-11
WCP3A-R000SF-K013-01IS	N/O & N/C Contacts 30VDC	Surface	Flexi	EN54-11

N/O = Normally Open Contact  
 N/C = Normally Closed Contact

### Accessories

Code	Description
SC070	Pack Of Ten Test Keys
KG1 x 5	Pack Of Five Glass Elements (Also available in packs of 10, 25 & 50)
PS210	Flexible Operating Element
PS200	Plain Hinged Cover
SC071	Pack Of Twenty Terminal Blocks

**KAC**

> Learn More: [kac.co.uk](http://kac.co.uk)