

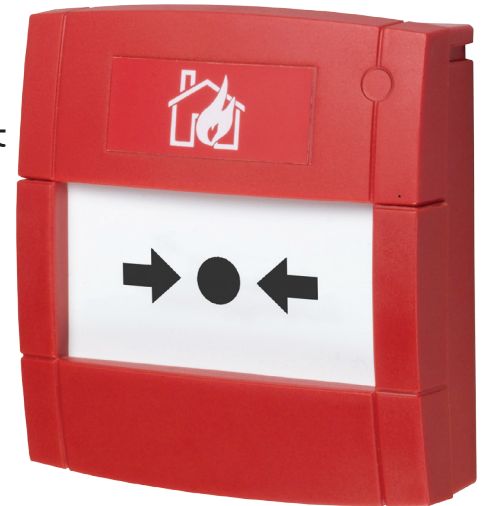
# MCP Indoor Call Point Range

## MCP 6V NO/NC

### For Mains Voltage Applications (Red Versions)



- Designed for mains voltage installations
- Prominent safety warning label for installers
- Total 'Flex-Ability' in the choice of operating element
- Anti-Tamper facility
- Enhanced aesthetics
- Fully approved to the latest standards
- Backwards compatibility



## Product Overview

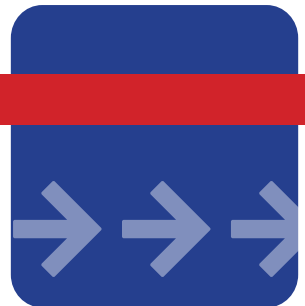
Installation efficiency, flexibility and full compliance with the latest standards are at the heart of the MCP indoor call point range.

As the industry's leading name in call point technology, KAC offers an extensive and unrivalled range of products designed to meet customer needs, whatever the application. Although the majority of fire systems now operate at 24V there are significant numbers of legacy systems throughout the world that still operate on mains voltage. The MCP6V call point has been specifically designed for indoor mains voltage applications using 220V to 240V.

Along with EN54-11 approval, the product has been rigorously tested to ensure it performs on mains voltage systems and there is no access to live areas when installed. The MCP6V also carries a high voltage label to warn the installer that it is suitable for, or connected to a mains voltage system.

Through standards and legislation, both break glass and resettable operating elements can now be used within a manual call point. To provide you with the greatest 'flex-ability', the new MCP range can be configured as either a break glass or resettable unit by simply changing from one element to another. No other additional parts or alternative products need to be ordered.

All MCP indoor call point products also help preserve the integrity of the overall system as illegal removal of the product lid will result in the call point operating and the system going into alarm.





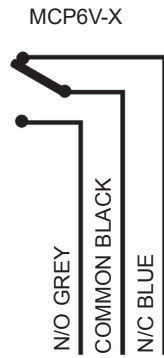
Connection Details: See Figure .1  
 Cable Termination: 0.5-2.5mm<sup>2</sup>  
 Maximum Voltage: 240VAC  
 Current Rating (switch only): 2 Amps



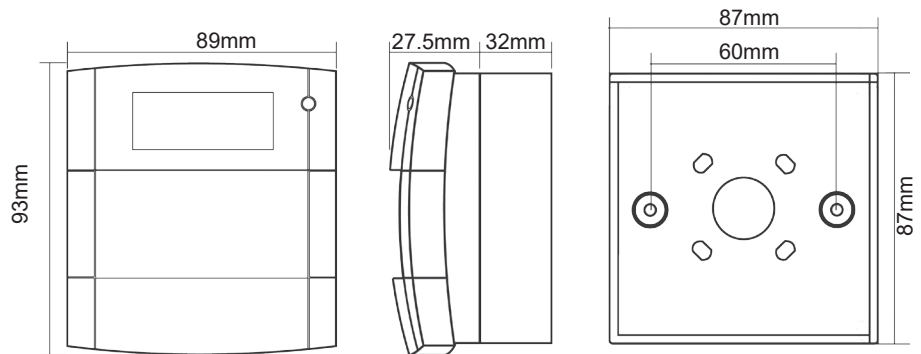
### En

Humidity: <math>93\pm 3\%</math> non-condensing  
 Operating Temperature: -10°C to +55°C  
 Storage Temperature: -10°C to +55°C  
 Ingress Protection (IP) Rating: IP24D  
 For RoHS, WEEE & REACH information please visit [www.kac.co.uk](http://www.kac.co.uk)

Figure .1



Material: PC/ABS  
 Weight: 130g Flush  
 180g Surface  
 Colour: Red, Ral 3001



### Ordering Information



Model	Electrical Configuration	Mounting	Operating	Markings
MCP6V-RC01FF-K013-01	Single pole changeover contact 240VAC	Flush	Flexi	EN54-11
MCP6V-RC01SF-K013-01	Single pole changeover contact 240VAC	Surface	Flexi	EN54-11
MCP6V-RC01FG-K013-01	Single pole changeover contact 240VAC	Flush	Glass	EN54-11
MCP6V-RC01SG-K013-01	Single pole changeover contact 240VAC	Surface	Glass	EN54-11



Accessories Code	Description
SC070	Pack of Ten Test Keys
KG1 x 5	Pack of Five Glass Elements <i>(Also available in packs of 10, 25 &amp; 50)</i>
PS210	Flexible Operating Element
PS200	Plain Hinged Cover

> Learn More: [kac.co.uk](http://kac.co.uk)