

# DOOR CONTROLLER MODULE

## DCM Plus

The Honeywell DCM Plus provide a scalable and cost-effective remote door control expansion for MB-intrusion and ACS- access control systems



The DCM Plus is a door controller module that can be deployed in both Honeywell MB-intrusion systems as well as in Honeywell ACS access control systems.

DCM Plus enables installer securely manage one or two doors remotely from the MB- or ACS-controller, in conjunction with the dedicated access control software IQ-MultiAccess. The user-friendly design with pluggable screw terminals and switch and jumper settings make it simple to install and easy to configure and maintain. The single hardware on stock approach gives the installer the flexibility to stock one device for multiple applications, increasing the return on investment.

Due to the licensing concept, future functional extension of the basic module can be upgraded via the MB controller, in case of changing requirements possible in existing premises without replacing the hardware. The modular product range, future enclosures with power supply units ensures cost-effective assemblies to be adapted to the premises' conditions.

Whether remote access control is needed for MB-systems or ACS-Systems, the DCM Plus has been developed with an installer-friendly design that easily adapts to existing infrastructure and methods, reducing installation and support costs. So as your system grows, the DCM plus provides the solution to allow the system to meet the requirements.

## FEATURES AND BENEFITS



### INCREASED PRODUCTIVITY

IQ-MultiAccess and WINMAG provide the monitoring, control and visualization of any door in the systems, including DCM Plus controlled doors

VdS compliant 1-door solution for MB systems is available for intrusion needs



### FASTER INSTALLATION

Pluggable screw terminal connectivity for doors and readers reducing install time

By default ready for secure MB-installations, simply convertible to expand doors in ACS installations



### LOWER COST OF OWNERSHIP

Designed to scale with your business  
Single hardware strategy allows stock of one type of device and low service stock, still meeting end customer demands through license activated functionalities and intuitive hardware settings

Compatible with existing MB and ACS installations for easy replacement and expansions



### ENHANCED SECURITY

Card-to-Host secure ensuring multi-site secure installations using MIFARE DESFire credentials in intrusion systems



### FLEXIBLE CAPABILITY

Licenses allow full scalability in doors, features and extensions without swapping out hardware

Extensive macro control allows up to 100 flexible triggers and procedures

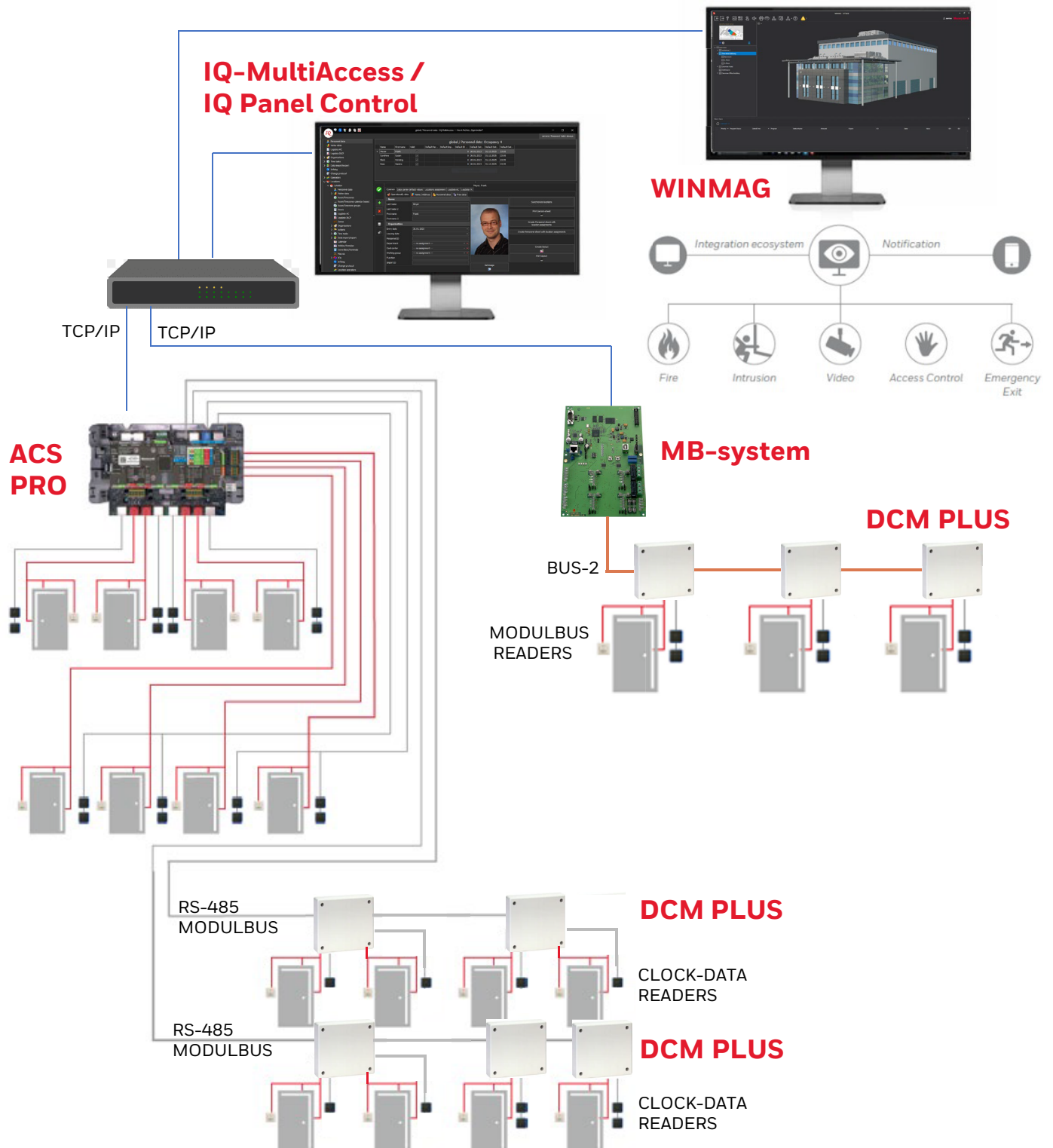
Support of proX, MIFARE Classic, MIFARE DESFire, LEGIC prime, LEGIC advant credentials

# DCM PLUS Door Controller Module

## SYSTEM OVERVIEW

The DCM Plus is the remote Door Controller Module as field device on bus topology. The bus protocol is depending on the system, functionality and required feature set, such as available reader protocols. The readers and door and/or security peripherals are connected to the DCM Plus to monitor and control up to 2 doors per DCM Plus and IQ-MultiAccess and WINMAG software are seamlessly integrated providing the end user maximum control and visualization and further integration to other security, safety and building disciplines.

A DCM Plus Module is by factory default configured to operate with MB- intrusion systems. Dipswitch and jumper settings as well as future licenses can change DCM Plus features to meet customer requirements.



# DCM PLUS Door Controller Module

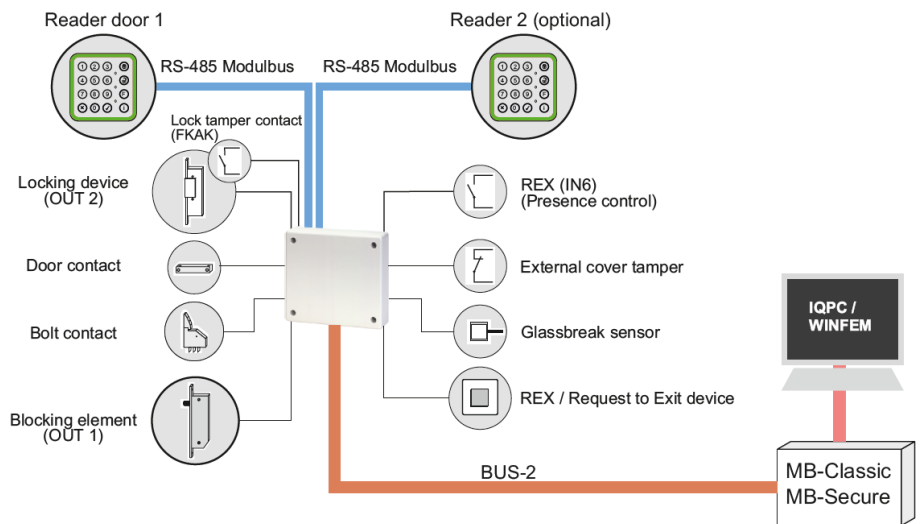
## MULTIFUNCTIONAL DEVICE

### FOR INTRUSION SYSTEMS

The DCM Plus in Honeywell MB-intrusion systems is connected via the BUS-2 system.

The DCM Plus is compatible with MB-Classic, MB-Secure and MB-Secure Pro systems and controls a single door expansion remotely with access control functionalities and additional intrusion functionalities such as blocking element control and glass break sensor monitoring. In this configuration the DCM Plus is VdS compliant, with similar functionality as the former IK3 module.

### Overview MB Mode Function (1 door) - RS-485 module bus reader

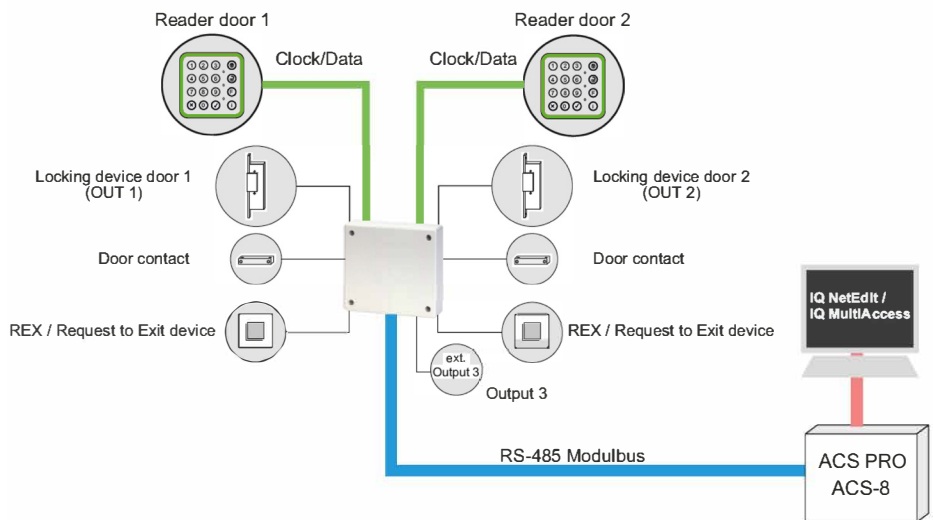


### FOR ACCESS CONTROL SYSTEMS

When connected to ACS-systems, the DCM Plus is connected via the RS-485 Modulbus extension busses.

The DCM Plus is compatible with Honeywell ACS PRO (4-door and higher) and ACS-8 systems and controls a single or dual door expansion remotely. Access control decisions are made in the ACS PRO or ACS-8 controller. IQ-MultiAccess is required to set up, monitor and control the ACS system and DCM Plus with extended access control functionalities, with similar functionality as the former Door Module.

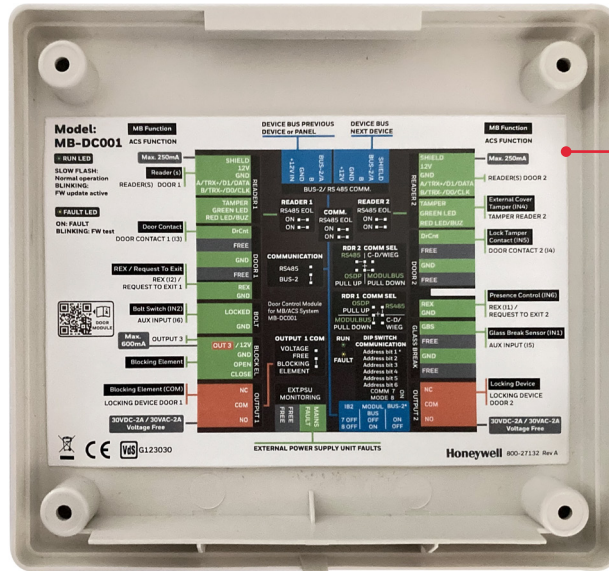
### Overview ACS-Function (2 door) - Clock/Data reader



# DCM PLUS Door Controller Module

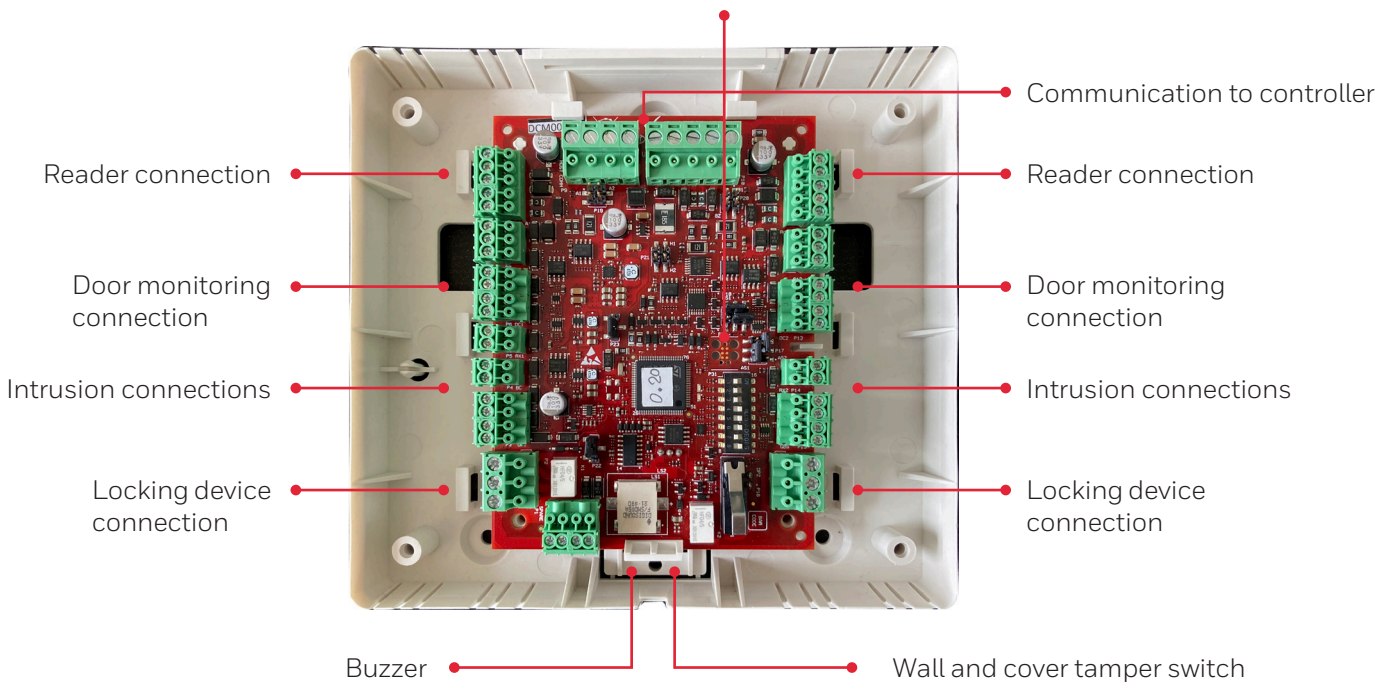
## ENCLOSURE AND MODULE

### PLASTIC ABS ENCLOSURE



Multifunctional instructions in German and separately in English

Functionality change by dipswitch and jumpers



# DCM PLUS Door Controller Module

TECHNICAL DATA			
SPECIFICATION		DCM PLUS in MB-Systems: MB-DC001	DCM PLUS in ACS-Systems: MB-DC001
Communications	Built-in Communication Options	BUS-2, IB2 <sup>(1)</sup>	RS-485: Modulbus, IB2 <sup>(1)</sup>
Readers / Doors	Door/Reader Capacity	One door with 4 readers in RS-485 Modulbus <sup>(2)</sup>	One door with 2 readers in Clock/Data mode or Two doors with 1 reader in Clock/Data mode
	Default Reader Compatibility	By default Modulbus Protocol readers. Support of proX, MIFARE Classic, MIFARE DESFire, LEGIC prime, LEGIC advant per MB-controller capability	By default Clock/Data readers. Support of proX, MIFARE Classic, MIFARE DESFire, LEGIC prime, LEGIC advant per ACS-controller capability
Outputs	Number of door outputs	1 Change over contact to connect a locking device per output rated at 2 A @ 30 VDC or 2 A @ 30 VAC (Voltage free)	2 Change over contacts to connect a locking device per output rated at 2 A @ 30 VDC or 2 A @ 30 VAC (Voltage free)
	Number of auxiliary outputs	1 Transistor output to connect a blocking element rated at 100 mA @ 12 VDC. <sup>(3)</sup>	1 Transistor output (Output 3) to connect a 3rd party device rated at 600 mA @ 12 VDC.
Inputs	Number of inputs	Fixed default settings: Door Status, REX, Reader Tamper, external cover tamper, Lock Tamper contact, glass break sensor (resettable), blocking element status, bolt switch (night lock).	2 Configurable input points. Fixed default settings: 2 Door Status, 2 REX, 2 Reader Tamper
	Panel Tamper	Panel Cover and Off-Wall	
	External Power Supply Unit monitoring	Mains and Fault	
Power Inputs	Standard Power Supply Unit from Metal Enclosure <sup>(1)</sup>	Future development	
	Module Power Input	9 ~15 VDC, Typical 40 mA @12 VDC (from Host communication)	
Power Outputs	Power for peripherals	Per reader port max 250 mA @12V for readers (external power supply required)	
Enclosure	Dimensions	163 mm (W) x 152 mm (H) x 40 mm (D)	
	Material	ABS	
	Front Cover	ABS	
	Protection Class	IP30 (EN 60529)	
	Environmental Class per VdS	II (preliminary)	Not applicable
Installation	Removable Terminal blocks	Screw terminals for all door peripherals, communication connections and auxiliary inputs and outputs	
	Graphic Wiring instructions	Color coded in door Label for additional wiring instructions in German and English	
System information	Temperature ratings	Operating: -10°C to +55°C; Storage: -25°C to +70°C; RH: 75% non condensing	
	Certifications and Approvals	EMC/CE, VdS 2252: G123030 Class C (BUS-2 only)	EMC/CE
LEDs	Status LED's	Run and Fault	
Host Modes	Platform	MB-Classic (FW V18.05), MB-Secure (FW V12.43), MB-Secure PRO	ACS PRO (V01.20 and higher), ACS-8 (V11.07)
	Emulation	IK3 Door Module (023312.17)	Door Module (026593.10)
Door Control	Door control modes	Card Only; PIN Only; Card Or PIN; Card And PIN; Door Lockdown; Disabled door; Limited use card; Expire on date; Anti-Passback; Duress	
	Macros for customer actions	100 Macros	
	Anti-Passback capability	Local and via Host Software; APB available	
Cards and Database	Card and Event Buffer Capacity	Depending on controller, no local storage	
	Firmware Revision	Update via MB-controller	
	Card Formats	Depending on controller, no local storage	
	Room Time Zones	Depending on controller, no local storage	
	Holidays	Depending on controller, no local storage	

(1) Future Development

(2) Fully Encrypted using Encoded MIFARE DESFire cards

(3) Not compatible with Slimlock blocking element (019038.10)

# DCM PLUS Door Controller Module

## ORDERING INFORMATION

SOLUTION	DESCRIPTION
MB-DC001	DCM Plus – Door Controller Module for MB/ACS systems

### For More Information

[www.security.honeywell.de](http://www.security.honeywell.de)

### Honeywell Commercial Security

Novar GmbH

Johannes-Mauthe-Str. 14

72458 Albstadt

Germany

[www.honeywell.com](http://www.honeywell.com)

HBT-DS-DCM-PLUS-EN-08Feb2024  
© 2024 Honeywell International Inc.

THE  
FUTURE  
IS  
WHAT  
WE  
MAKE IT

**Honeywell**