

# 70 SERIES OCULUS/AERON

PTZ Video Cameras with Long Range Illumination or Thermal Cameras For Enterprise and CIP (Critical Infrastructure Protection) Applications

The Oculus and Aeron cameras are highly modular, ready to go, compact surveillance solutions using HD video and/or thermal cameras which are ideal for short to medium (Oculus) to long (Aeron) range surveillance applications.

The Oculus and Aeron units are both compact and rugged with continuous rotation PTZ cameras that have been specifically designed for marine, harsh and challenging environments. A range of features such as zoom thermal (cooled or uncooled), supported by HD video as well as IR and white light options make the Oculus and Aeron camera solutions both versatile and cost-effective.

A wide range of thermal and HD video cameras are available for the Oculus and Aeron, all supplied in cable managed housings for protection in the harshest environments. With belt driven gears as standard, the Oculus and Aeron ensure the capture of stable images even at very long distances over land or water.

All Honeywell-Silent Sentinel Pan and Tilt systems are designed with Absolute Positioning control as standard, so when twinned with radar or any automated control program, it can be driven automatically to any threat detected and remain on target as the threat moves. As with most Honeywell products, the cameras can easily be deployed as a standalone system or a combined or integrated solution to increase performance.

## MARKET OPPORTUNITIES

The Oculus and Aeron platforms can be configured and optimized to meet a broad range of applications and operational theaters with the ability to detect, identify, track and react to the surveillance requirements such as Coastal Surveillance, Border Security, Critical Infrastructure, Maritime Security.

## FEATURES AND BENEFITS



- Supporting up to 10 km for human detection and 20 km for vehicle detection
- Target Illuminator up to 300m
- 360° continuous rotation
- Compact housing with a wiper as standard
- 1080p full HD resolution



- High performing pan and tilt speeds up to 160° per second
- Highly ruggedized and IP67 compliant
- Integration with Honeywell MaxPro® VMS and other popular video management systems
- Cooled and uncooled thermal camera versions
- NDAA Compliant



OCULUS SCOUT



AERON SCOUT



AERON RANGER



AERON SEARCHER

**Honeywell**

**SILENT SENTINEL**  
VISION & MOTION CONTROL

## 70 SERIES OCULUS THERMAL / IP VIDEO PTZ CAMERAS

The Oculus is a compact, rugged, continuous rotation PTZ camera that has been specifically designed for marine, harsh and challenging environments. A range of features such as zoom thermal (cooled or uncooled), HD 1080p video as well as IR and white light options, make the Oculus camera a versatile and cost effective solution.

A wide range of thermal and HD video cameras are available for the Oculus, all supplied in cable managed housings for protection in the harshest environments. With belt driven gears as standard, the Oculus ensures the capture of stable images even at very long distances over land or water.

All Honeywell-Silent Sentinel Pan and Tilt systems are designed with Absolute Positioning control as standard, so when twinned with radar or any automated control program, it can be driven automatically to any threat detected and remain on target as the threat moves. As with most Honeywell products, the Oculus can easily be deployed as a standalone system or a combined or integrated solution to increase performance.

### KEY FEATURES

- Supporting ranges up to 1.1km for human detection and 3.39km for vehicle detection.
- Short to medium range thermal cameras with fixed lens up to 50mm.
- Day/night IP HD 1080p low light color cameras.
- Thermal camera contrast enhancements.
- Focal length dependent speed control (zoom).
- Anti fog, anti haze, image stabilization, autofocus and auto tracking capabilities.
- Absolute positioning feedback for radar control.
- 360° continuous rotation.
- High performing pan and tilt speeds up to 180° per second.
- Virtually zero backlash with automatic self position correction.
- Optical encoders for preset accuracy (0.05° repeatability).
- Compact housings with wipers as standard\*.
- ONVIF Profile S compliant.
- Highly ruggedized for extreme and marine environments.
- IP67, REACH, ROHS & CE Compliant.
- Various options available



OCULUS WITH THERMAL CAMERA



OCULUS WITH LONG RANGE ILLUMINATOR



IMAGE ENHANCEMENT



HD IMAGE FUSION



GYRO

# 70 SERIES OCULUS THERMAL / IP VIDEO PTZ CAMERAS

## TECHNICAL SPECIFICATIONS

Part Number	HRC3Y-J30CDB13	HRC3Y-J30CDB19	HRC3YJ30CDB25	HRC3YJ30CDB35	HRC3YJ30CDA13	HRC3YJ30CDA19	HRC3YJ30CDA25	HRC3YJ30CDA35
<b>THERMAL CAMERA</b>								
Lens	13mm F1.0	19mm F1.0	25mm F1.0	35mm F1.0	13mm F1.0	19mm F1.0	25mm F1.0	35mm F1.0
Field of View	33.85°	23.16°	17.6°	12.57°	28.77°	19.6°	14.96°	10.69°
Detector	Uncooled VOx Microbolometer							
Resolution	640 x 512				384 x 288			
Pixel Size	12µm				17µm			
Spectral Band	8 to 14 µm (LWIR)							
Sensitivity	< 50 mK/f/1.0 @ 25°C							
Frequency	50Hz							
Digital Zoom and Pan	1.0-8.0•Digital Zoom (step 0.1)							
Digital Video	14/8-bit LVCMOS/Camera Link®							
Video Output	IP and Composite (PAL / NTSC)							
Window	Germanium thermal optical quality glass, with a Low Reflection Hard Carbon (HCLR) coating							
Focus	Fixed							
Image Stabilization	Yes (cost option)							
Image Control	Polarity: White Hot / Black Hot, Orientation: Invert / Revert							
Detection * (Human / Vehicle)	404m / 1625m	590m / 2375m	776m / 3125m	1086m / 4375m	285m / 1147m	416m / 1676m	548m / 2206m	767m / 3088m
Recognition * (Human / Vehicle)	101m / 406m	147m / 594m	194m / 781m	272m / 1094m	71m / 287m	104m / 419m	137m / 551m	192m / 772m
Identification * (Human / Vehicle)	60m / 250m	91m / 365m	119m / 481m	167m / 673m	44m / 176m	64m / 258m	84m / 339m	118m / 475m

\* Johnson criteria: Human at 1.8m x 0.5m, vehicle at 2.3m<sup>2</sup>, Detection at 2 pixels, Recognition at 8 pixels and Identification at 13 pixels. 50% probability subject to environmental conditions.

## VISIBLE CAMERA

Focal Length	4.3-129mm / F1.6-4.7 autofocus motorized zoom lens (30x)							
Image Sensor	1/2.8" CMOS Exmor (2.13MP)							
Resolution	1920 x 1080							
Field of View (Horiz)	63.7° (W) to 2.32° (T)							
Minimum Sensitivity	0.01 lux (Colour), 0.0008 lux (B&W)							
White Balance	Auto, push and manual							
ALC	Auto / manual							
Shutter	1/1 s to 1/10,000							
Day/Night Mode	Auto, color, B&W							
Backlight Comp.	On / Off							
Noise Reduction	Yes							
Digital Zoom	12x (360x combined)							
Video Output	IP							
Window	High Definition optical quality glass, with a low reflection and water resistant coating							
Defog	Yes							
Image Stabilization	Yes							

Part Number	HRC3-50IYJ30XW	HRC3-52IYJ30X-RAW	HRC3-52IYJ30X-WAW	HRC3-52IYJ30X-HAW
-------------	----------------	-------------------	-------------------	-------------------

## ILLUMINATION (RANGES SUBJECT TO CAMERA LUX SENSITIVITY)

Infra Red 850nm (IR)	-	up to 200m range	-	-
White Light (WL)	-	-	up to 200m range	-
Hybrid IR & WL	-	-	-	up to 150m range

## IMAGE PROCESSING

Video Compression	H.264/MPEG4 Part 2, M-JPEG (H.265 option available up on request)			
H.264 Performance	Total D1 at 390 fps or Full HD 1080p at 65 fps Examples: 2x 1080p at 30 fps (HD video/thermal) or 2x D1 at 30 fps (thermal / SD)			
Image Processing	Image resizing and scaling ratio, noise reduction, edge enhancement (sharpness), ROI based video compression			
Software Update	Remote / IP accessible			
Other Features	Email Notifications, Text Overlay			

# 70 SERIES OCULUS THERMAL / IP VIDEO PTZ CAMERAS

## TECHNICAL SPECIFICATIONS

Part Number	HRC3-50IJY30XW, HRC3-52IJY30X-RAW, HRC3-52IJY30X-WAW, HRC3-52IJY30X-HAW	HRC3YJ30CDBxx, HRC3YJ30CDAxx
-------------	--	------------------------------

### ELECTRICAL AND MECHANICAL

Camera Construction	Die-cast hard anodised aluminium with A4 stainless fittings	
Repeatability	0.05°	
Optical Encoder Preset Accuracy	0.01°	
Pan Rotation	360° Continuous	
Pan Speed	Up to 180° per second (excluding ramping)	
Tilt Range	+90° to -30° upright (-68° inclined), +30° to -90° inverted	
Tilt Speed	Up to 180° per second (excluding ramping)	
Speed Control	Zoom dependant speed control	
Position Control	Capable of retraining position without drift. Automatic position recovery if forced away by a 'non-control' intervention	
Motor Drive	Long life toothed polypropylene belt drive, Pulleys bonded to keypad shafts for minimum backlash	
Rotational Contacts	Heavy duty slip rings for power, data, video and switching for washer	
Pan / Tilt Bearings	Sealed for life – no maintenance required	
Actuation	Pan and tilt stepper motors	
Position Encoders	Optical encoders on pan and tilt motors	
Mounting Profile	Upright or inverted	
IP rating	IP67	
Temperature Range	-20°C (-4°F) Up to 65°C (149°F) (-40°C with optional heater)	-30°C (-22°F) Up to 65°C (149°F) (-40°C with optional heater)
Power	4 to 36VDC or 14 to 26VAC, 45W peak (100W with optional heater) (20W typical in low power mode when idle without heater)	Nominal 28VDC (24-32VDC) Typical: 60W Peak: 100W (with heater)
Fixing Material	Stainless steel with external fall protection	
Housing Finish	White powder marine grade paint finish (other colours are available upon request)	
Weight (typical)	7kg (15.43lb)	7,6kg (16.7lb)
Turning Diameter	220mm / 8.66" Normal - 370mm / 14.57" Offset	
Height (typical)	370mm / 14.57" Normal - 340mm / 13.86" Offset	

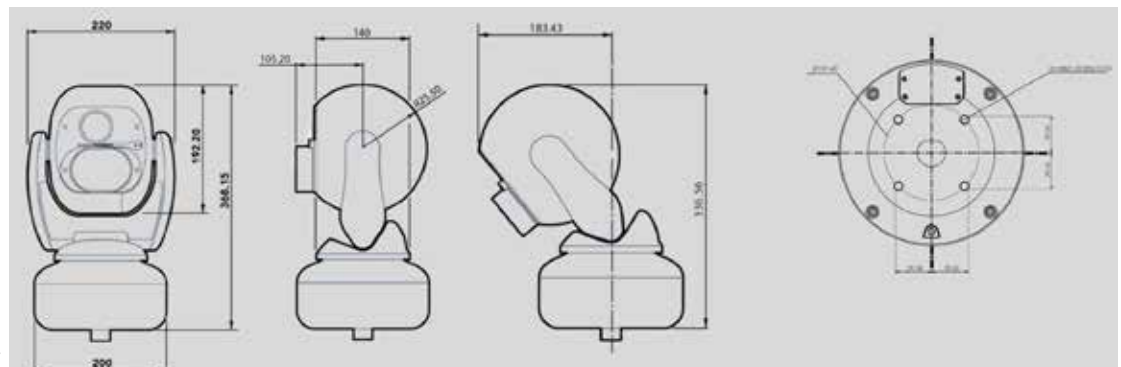
### TELEMETRY

Presets	127x Preset positions, 16x preset tours (maximum of 60 positions each), four 8 minute mimic tours	127x Preset positions, 16x preset tours
Protocols	Pelco-D, Pelco P, Pelco D Extended, CBC OCP485, Forward Vision Mic1 FV300, Philips, Vicon, SSP, ONVIF Profile-S	Pelco D, Pelco D Extended, ONVIF Profile-S
Interface	IP, RS485 (not IP)	RS485, ONVIF Profile-S, Serial <> IP
Privacy Zones	Yes	
Positioning	Absolute positioning	
Additional features	Programmable text within picture (camera ID), parameter control (RS232 or RS485) TCP/IP prepared, compass heading (cardinal point and/or degrees), focal length dependant pan and tilt control, in built real time clock and date	

### NETWORK

Ethernet	10/100 Base-T	
Connectivity	Cat5e via multicore cable tail/PSU (RJ45)	
Configuration	Via web browser	
Network Protocols	Networking: IPv4/v6, UDP, TCP, IGMP, ARP, DHCP, DNS, NT, Streaming: RTSP, RTP, HTTP, Web Sockets, Management: HTTP, HTTPS, Bonjour, ONVIF, PSIA, ION API, SNMP, SMTP, Security: Basic / Digest Authentication, SSL	
Latency	Can reach less than 100ms latency	

## DIMENSIONS



Typical drawings - dimensions may vary by model.  
Further detailed drawings available on request

## 70 SERIES AERON THERMAL / IP VIDEO PTZ CAMERAS

The Aeron unit is a compact, rugged and continuous rotation PTZ camera that has been specifically designed for marine, harsh and challenging environments. A range of features such as zoom thermal (cooled or uncooled), supported by HD video as well as IR and white light options, make the Aeron camera a versatile and cost-effective solution.

A wide range of thermal and HD video cameras are available for the Aeron, all supplied in cable managed housings for protection in the harshest environments. With belt driven gears as standard, the Aeron ensures the capture of stable images even at very long distances over land or water.

All Honeywell-Silent Sentinel Pan and Tilt systems are designed with Absolute Positioning control as standard, so when twinned with radar or any automated control program, it can be driven automatically to any threat detected and remain on target as the threat moves. As with most Honeywell products, the Aeron can easily be deployed as a standalone system or a combined or integrated solution to increase performance..

### KEY FEATURES

- Supporting ranges up to 10.97km for human detection and 20.1km for vehicle detection.
- Long range thermal cameras with zoom (up to 300mm).
- HD Low Light and Ultra Low Light. 0.0006lux color cameras.
- Hybrid (IR+White) Light Illumination options (up to 300m).
- Thermal camera contrast enhancements.
- Focal length dependent speed control (zoom).
- Anti fog, anti haze, image stabilization, autofocus and auto tracking capabilities.
- Absolute positioning feedback for radar control.
- 360° continuous rotation.
- High performing pan and tilt speeds up to 160° per second.
- Virtually zero backlash with automatic self position correction.
- Optical encoders for preset accuracy (0.05° repeatability).
- Compact housings with wipers as standard\*.
- ONVIF Profile S compliant.
- Highly ruggedised for extreme and marine environments.
- IP67, REACH, ROHS & CE Compliant.
- Various options available.



AERON SCOUT CAMERA



AERON RANGER CAMERA



AERON SEARCHER CAMERA

# 70 SERIES AERON THERMAL / IP VIDEO PTZ CAMERAS

## TECHNICAL SPECIFICATIONS

Part Number	HRC4YJ30CDB50	HRC4YJ30CDB65	HRC4YJ30CDB100	HRC4YJ30CDB25Z75A	HRC4YJ30CDB26Z105	HRC4SEARCHER300W
<b>THERMAL CAMERA</b>						
Lens	50mm F1.0	65mm F1.2	100mm F1.6	25-75mm F1.2	26-105mm F1.6	15-300mm F4
Field of View	8.8°	6.77°	4.4°	17.6° to 5.87°	16.9° to 4.19°	35.5° to 1.83°
Detector	Uncooled VOx Microbolometer					Cooled InSb FPA
Resolution	640 x 512					
Pixel Size	12µm					15µm
Spectral Band	8 to 14 µm (LWIR)					3.4 to 5.1 µm (MWIR)
Sensitivity	< 50 mK f/1.0 @ 25°C					< 25 mK (NETd) @ room temperature
Frequency	50Hz					25Hz (30Hz option)
Cooler Type	N/A					Stirling cycle, integrated (20,000hrs)
Cool Down Time	N/A					< 10 Minutes, 6 minutes typical
Digital Zoom and Pan	1.0-8.0×Digital Zoom (step 0.1)					4x
Video Output	IP and Composite (PAL / NTSC)					
Window	Germanium thermal optical quality glass, with a Low Reflection Hard Carbon (HCLR) coating					Vanadium thermal optical quality glass, with a Low Reflection Hard Carbon (HCLR) coating
Focus	Fixed			Motorized		Manual motorized focus with push autofocus and Athermalization
Image Stabilisation	Yes (cost option)					Yes
Image Enhancement	Contrast enhancement					Linear AGC, CLAHE, LAP
Image Control	Polarity: White Hot / Black Hot, Orientation: Invert / Revert					Noise reduction, sharpen, alpha-blend. Palettes: Black-hot, white-hot, ironbow, rainbow + more
Detection (Human / Vehicle)	1552m / 6250m	2018m / 8125m	3104m / 12500m	2328m / 9375m	3259m / 13125m	10970m / 20110m**
Recognition (Human / Vehicle)	388m / 1563m	504m / 2031m	776m / 3125m	582m / 2344m	815m / 3281m	2360m / 8790m**
Identification (Human / Vehicle)	239m / 962m	310m / 1250m	478m / 1923m	358m / 1442m	501m / 2019m	1440m / 5960m**

\* Johnson criteria: Human at 1.8m x 0.5m, vehicle at 2.3m<sup>2</sup>, Detection at 2 pixels, Recognition at 8 pixels and Identification at 13 pixels. 50% probability subject to environmental conditions.

\*\* Ranges are based upon 50% probability on a MODTRAN standard atmosphere. Detailed NVIPM calculation notes available upon request.

## VISIBLE CAMERA

Focal Length	4.3-129mm / F1.6-4.7 (30x)
Focus	Autofocus and motorized manual zoom lens
Image Sensor	1/2.8" CMOS Exmor (2.13MP)
Resolution	1920 x 1080
Field of View (Horiz)	63.7° (W) to 2.32° (T)
Minimum Sensitivity	0.01 lux (Color), 0.0008 lux (B&W)
White Balance	Auto, push and manual
ALC	Auto / manual
Shutter	1/1 s to 1/10,000
Day/Night Mode	Auto, color, B&W
Backlight Comp.	On / off
Noise Reduction	Yes
Digital Zoom	12x (360x combined)
Video Output	IP
Window	High Definition optical quality glass, with a low reflection and water resistant coating
Defog	Yes
Image Stabilization	Yes

## NETWORK

Ethernet	10/100 Base-T
Connectivity	Cat5e via multicore cable tail/PSU (RJ45)
Configuration	Via web browser
Network Protocols	Networking: IPv4/v6, UDP, TCP, IGMP, ARP, DHCP, DNS, NT, Streaming: RTSP, RTP, HTTP, Web Sockets, Management: HTTP, HTTPS, Bonjour, ONVIF, PSIA, ION API, SNMP, SMTP, Security: Basic / Digest Authentication, SSL
Latency	Can reach less than 100ms latency

# 70 SERIES AERON THERMAL / IP VIDEO PTZ CAMERAS

## TECHNICAL SPECIFICATIONS

Part Numbers	HRC4YJ30CDB50, HRC4YJ30CDB75, HRC4YJ30CDB100, HRC4YJ30CDB25Z75A, HRC4YJ30CDB26Z105	HRC4SEARCHER300W
--------------	--	------------------

### ELECTRICAL AND MECHANICAL

Camera Construction	Die-cast hard anodised aluminium with A4 stainless fittings	
Repeatability	0.05°	
Optical Encoder Preset Accuracy	0.01°	
Pan Rotation	360° Continuous	
Pan Speed	Up to 180° per second (excluding ramping)	
Tilt Range	+90° to -30° upright (-68° inclined), +30° to -90° inverted	
Tilt Speed	Up to 180° per second (excluding ramping)	
Speed Control	Zoom dependant speed control	
Position Control	Capable of retraining position without drift. Automatic position recovery if forced away by a 'non-control' intervention	
Motor Drive	Long life toothed polypropylene belt drive, Pulleys bonded to keypad shafts for minimum backlash	
Rotational Contacts	Heavy duty slip rings for power, data, video and switching for washer	
Pan / Tilt Bearings	Sealed for life – no maintenance required	
Actuation	Pan and tilt stepper motors	
Position Encoders	Optical encoders on pan and tilt motors	
Mounting Profile	Upright or inverted	
IP rating	IP67	
Temperature Range	-30°C (-22°F) Up to 65°C (149°F) (-40°C with optional heater)	-20°C (-4°F) Up to 65°C (149°F) (-40°C with optional heater)
Power	Nominal 28VDC (24-32VDC) Typical: 60W, Peak: 100W (With heater).	14 to 36VDC or 14 to 26VAC, 60W peak (100W with optional heater) (20W typical in low power mode when idle without heater)
Fixing Material	Stainless steel with external fall protection	
Housing Finish	White powder marine grade paint finish (other colours are available upon request)	
Weight (typical)	10.6kg (23.3lb)	
Height (typical)	370mm / 14.57" Normal - 340mm / 13.86" Offset	

### IMAGE PROCESSING

Video Compression	H.264/MPEG4 Part 2, M-JPEG (H.265 option available up on request)	
H.264 Performance (1080p Camera)	Total D1 at 390 fps or Full HD 1080p at 65 fps Examples: 2x 1080p at 30 fps (HD video/thermal) or 2x D1 at 30 fps (thermal / SD)	
H.264 Performance (4k 8.51MP Camera)	30 fps at 3840x2160 and 30 fps at 1080p (H.265 available as standard)	
H.264 Performance (4k 12.2MP Camera)	30 fps at 3840 x 2160 (supports up to 20 clients/connections over 5 streams) (various resolutions from 320 x 180 available)	
Image Processing	Image resizing and scaling ratio, noise reduction, edge enhancement (sharpness), ROI based video compression	
Software Update	Remote / IP accessible	
Other Features	Email notifications, Text overlay	

### TELEMETRY

Presets	127x Preset positions, 16x preset tours (maximum of 60 positions each), four 8 minute mimic tours	
Protocols	Pelco-D, Pelco P, Pelco D Extended, CBC OCP485, Forward Vision Mic1 FV300, Philips, Vicon, SSP, ONVIF Profile-S	
Parameter Programming	IP, RS485 (not IP)	
Privacy Zones	Yes	
Positioning	Absolute positioning	
Additional features	Programmable text within picture (camera ID), parameter control (RS232 or RS485) TCP/IP prepared, compass heading (cardinal point and/or degrees), focal length dependant pan and tilt control, in built real time clock and date	

## VIDEO CAMERAS ONLY

Part Number	HRC4-52IYJ30X-HA2W
-------------	--------------------

### ILLUMINATION (RANGES SUBJECT TO CAMERA LUX SENSITIVITY)

Hybrid IR & WL	up to 300m range
----------------	------------------

# 70 SERIES AERON/OCULUS THERMAL / IP VIDEO PTZ CAMERAS

## OCULUS AND AERON - ORDERING INFORMATION - ENTERPRISE AND CIP

### PTZ VIDEO CAMERA WITH FIXED LENS THERMAL CAMERA

<b>HRC3YJ30CDA13</b>	Oculus Scout : 384x288, 17µm, 50Hz, 13mm F1.0 thermal fixed lens camera - 1080p / 4.3-129mm (30x) zoom lens video camera, white
<b>HRC3YJ30CDA19</b>	Oculus Scout : 384x288, 17µm, 50Hz, 19mm F1.0 thermal fixed lens camera - 1080p / 4.3-129mm (30x) zoom lens video camera, white
<b>HRC3YJ30CDA25</b>	Oculus Scout : 384x288, 17µm, 50Hz, 25mm F1.0 thermal fixed lens camera - 1080p / 4.3-129mm (30x) zoom lens video camera, white
<b>HRC3YJ30CDA35</b>	Oculus Scout : 384x288, 17µm, 50Hz, 35mm F1.0 thermal fixed lens camera - 1080p / 4.3-129mm (30x) zoom lens video camera, white
<b>HRC3YJ30CDB13</b>	Oculus Scout : 640x512, 12µm, 50Hz, 13mm F1.0 thermal fixed lens camera - 1080p / 4.3-129mm (30x) zoom lens video camera, white
<b>HRC3YJ30CDB19</b>	Oculus Scout : 640x512, 12µm, 50Hz, 19mm F1.0 thermal fixed lens camera - 1080p / 4.3-129mm (30x) zoom lens video camera, white
<b>HRC3YJ30CDB25</b>	Oculus Scout : 640x512, 12µm, 50Hz, 25mm F1.0 thermal fixed lens camera - 1080p / 4.3-129mm (30x) zoom lens video camera, white
<b>HRC3YJ30CDB35</b>	Oculus Scout : 640x512, 12µm, 50Hz, 35mm F1.0 thermal fixed lens camera - 1080p / 4.3-129mm (30x) zoom lens video camera, white
<b>HRC4YJ30CDB50</b>	Aeron Scout : 640x512, 12µm, 50Hz, 50mm F1.0 thermal fixed lens camera - 1080p / 4.3-129mm (30x) zoom lens video camera, white
<b>HRC4YJ30CDB65</b>	Aeron Scout : 640x512, 12µm, 50Hz, 65mm F1.2 thermal fixed lens camera - 1080p / 4.3-129mm (30x) zoom lens video camera, white
<b>HRC4YJ30CDB100</b>	Aeron Scout : 640x512, 12µm, 50Hz, 100mm F1.6 thermal fixed lens camera - 1080p / 4.3-129mm (30x) zoom lens video camera, white

### PTZ VIDEO CAMERA WITH ZOOM LENS THERMAL CAMERA

<b>HRC4YJ30CDB25Z75A</b>	Aeron Ranger : 640x512, 12µm, 50Hz, 25mm-75mm, F1.2 thermal zoom lens camera - 1080p / 4.3-129mm (30x) zoom lens video camera, white
<b>HRC4YJ30CDB26Z105</b>	Aeron Ranger : 640x512, 12µm, 50Hz, 26mm-105mm, F1.6 thermal zoom lens camera - 1080p / 4.3-129mm (30x) zoom lens video camera, white
<b>HRC4SEARCHER300W</b>	Aeron Searcher : 640x512, 15µm, 25Hz, 15mm-300mm, F4.0 thermal zoom lens camera with image stabilization and auto focus - 1080p / 4.3-129mm (30x) zoom lens video camera, white

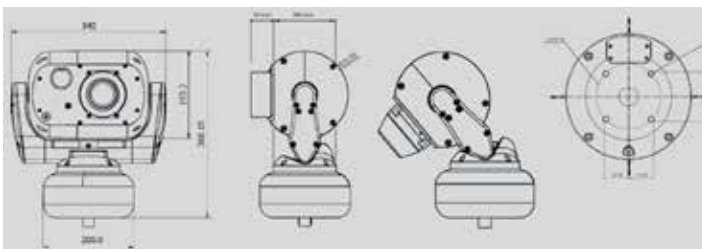
### PTZ VIDEO CAMERA

<b>HRC3-50IYJ30XW</b>	Oculus : 1080p, IP, 4.3-129mm (30x optical zoom lens) video camera, white
<b>HRC3-52IYJ30X-RAW</b>	Oculus : 1080p, IP, 4.3-129mm (30x optical zoom lens) video camera with built in infra-red illumination (up to 200m), white
<b>HRC3-52IYJ30X-WAW</b>	Oculus : 1080p, IP, 4.3-129mm (30x optical zoom lens) video camera with built in white light illumination (up to 200m), white
<b>HRC3-52IYJ30X-HAW</b>	Oculus : 1080p, IP, 4.3-129mm (30x optical zoom lens) video camera with built in infra-red and white light hybrid illumination (up to 150m), white
<b>HRC4-52IYJ30X-HA2W</b>	Aeron Hyperion : 1080p, IP, 4.3-129mm (30x optical zoom lens) video camera with built in infra-red and white light hybrid illumination (up to 300m), white

### ACCESSORIES

<b>HRC-PSB1-N</b>	Power supply unit for IP camera	<b>HRC3-SPC-W</b>	Oculus sun shield, white color
<b>HCA-UCM-05</b>	5 metre cable for IP/analog cameras	<b>HRC3-BD-W</b>	Oculus bird spike, white color
<b>HCA-UCM-10</b>	10 metre cable for IP/analog cameras	<b>HRC-SWA</b>	Oculus washer nozzle
<b>HUCM-01</b>	Price per metre to extend the above cables	<b>HRC-SWA2</b>	Oculus IR / WL / thermal washer nozzle
<b>HRC-TMP-W</b>	Tower mount adaptor, white color	<b>HRC-2XGYRO</b>	Oculus / Aeron Gyro stabilization - 2 axis
<b>HRC-PMG-W</b>	Swan neck, white color	<b>HRC4-SPC-W</b>	Aeron sun shield, white color
<b>HRC-WM-W</b>	Wall mount, white color	<b>HRC4-BD-W</b>	Aeron bird spike, white color
<b>HRC-PPM-W</b>	Pendant pole, white color	<b>HRC4-SWA3</b>	Aeron washer nozzle
<b>HRC-CM-W</b>	Corner mount, white color	<b>HRC-FUSION</b>	Oculus / Aeron Image Fusion
<b>HRC-PMA-W</b>	Pole mount adaptor, white color	<b>HRC-PCC-X</b>	Custom color (change W at the end of the PN to X)
		<b>HRC-HEATER</b>	Oculus / Aeron extended heater
		<b>HRC-WAA</b>	Oculus / Aeron video replacement wiper
		<b>HRC-WAA2</b>	Oculus / Aeron IR / WL / thermal wiper
		<b>HRC-WP5L/230</b>	Washer tank, 5L, 110/230VAC
		<b>HRC-WP10L/230</b>	Washer tank, 10L, 110/230VAC
		<b>HRC-WP25L/230</b>	Washer tank, 25L, 110/230VAC
		<b>HRC3-SC-W</b>	Oculus sun cowl, white color
		<b>HRC-SD01</b>	Internal SD card interface, + 64 GB SD card

### DIMENSIONS



Typical drawings - dimensions may vary by model.  
Further detailed drawings available on request

For more information  
[www.security.honeywell.com](http://www.security.honeywell.com)

Honeywell Commercial Security  
715 Peachtree St. NE  
Atlanta, GA 30308  
Tel: +1 800 323 4576  
[www.honeywell.com](http://www.honeywell.com)

Honeywell reserves the right, without notification, to make changes in product design or specifications.

HSV-OCUAER\_ENT-07-US(0421)DS-ZD  
© 2021 Honeywell International Inc.

**Honeywell**

**SILENT SENTINEL**  
VISION & MOTION CONTROL