

**MA-8000**

MA-8000

Dismantling Information

M-167.9-Dismantling-MA-8000-EN / 02.2023

## Intended purpose

This product may be used only for the applications outlined in the catalogue and in the technical description, and only in conjunction with the recommended and approved external devices and components.

This documentation contains registered and unregistered trademarks. All trademarks are the property of the respective owners. The use of this documentation does not grant you a licence or any other right to use any name, logo or label referred to or depicted herein.

This documentation is subject to the copyright of Honeywell. The content must not be copied, published, modified, distributed, transmitted, sold or changed without the express prior written permission of Honeywell. The information contained in this documentation is provided without warranty.

## Safety-related user information

This manual includes information required for the proper use of the products described.

In order to ensure correct and safe operation of the product, all guidelines concerning its transport, storage, installation, and mounting must be observed. This includes taking the necessary care when operating the product.

The term 'qualified personnel' in the context of the safety information included in this manual or on the product itself designates:

- project engineers who are familiar with the safety guidelines concerning fire alarm and extinguishing systems.
- trained service engineers who are familiar with the components of fire alarm and extinguishing systems and the information on their operation as included in this manual.
- trained installation or service personnel with the necessary qualifications for carrying out repairs on fire alarm and extinguishing systems, or who are authorised to operate, earth and label electrical circuits and/or safety equipment/systems.

## Symbols

The following information is provided in the interests of personal safety and to prevent damage to the product described in this manual and all equipment connected to it.

Safety information and warnings to prevent hazards endangering the life and health of users and maintenance personnel, as well as causing damage to the equipment itself, are indicated by the following pictograms. Within the context of this manual, these pictograms have the following meanings:



**Warning** - Designates risks to person and/or machine. Non-compliance will create risks to person and/or machine. The level of risk is indicated by the word of warning.



**Note** - important information on a topic or a procedure and other important information.



**Standards and guidelines** - observe configuration and commissioning information in accordance with the national and local requirements.

## Dismantling

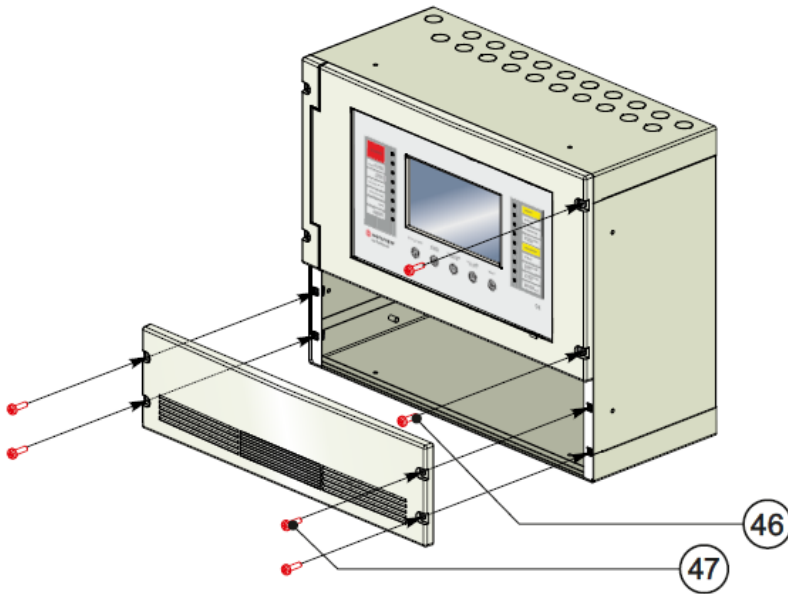


In accordance with Directive 2012/19/EU (WEEE), after being dismantled, electrical and electronic equipment is taken back by the manufacturer for proper disposal.

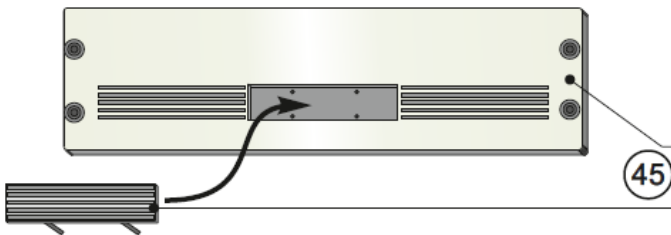
## © Honeywell International Inc./technical changes reserved!

This documentation is subject to copyright law and, as per Sections 16 and 17 of the German Copyright Act (UrhG), may be neither copied nor disseminated in any other way. Any infringement as per Section 106 of the UrhG may result in legal action.

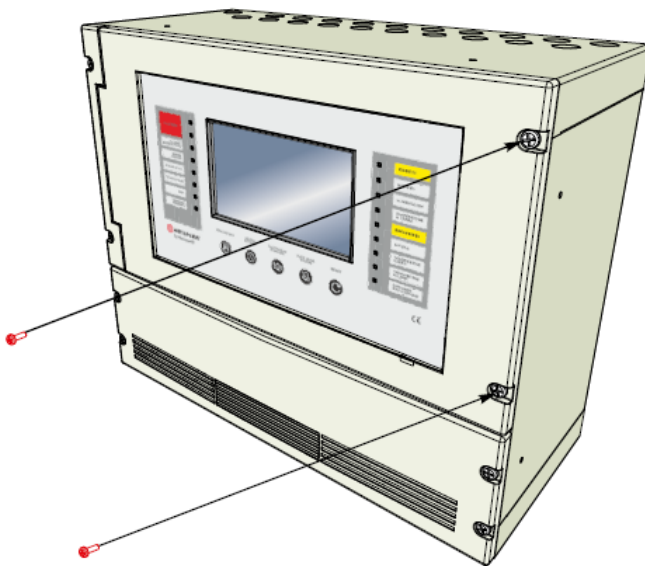
1. Unscrew the 4 screws (47) and remove the blind plate.



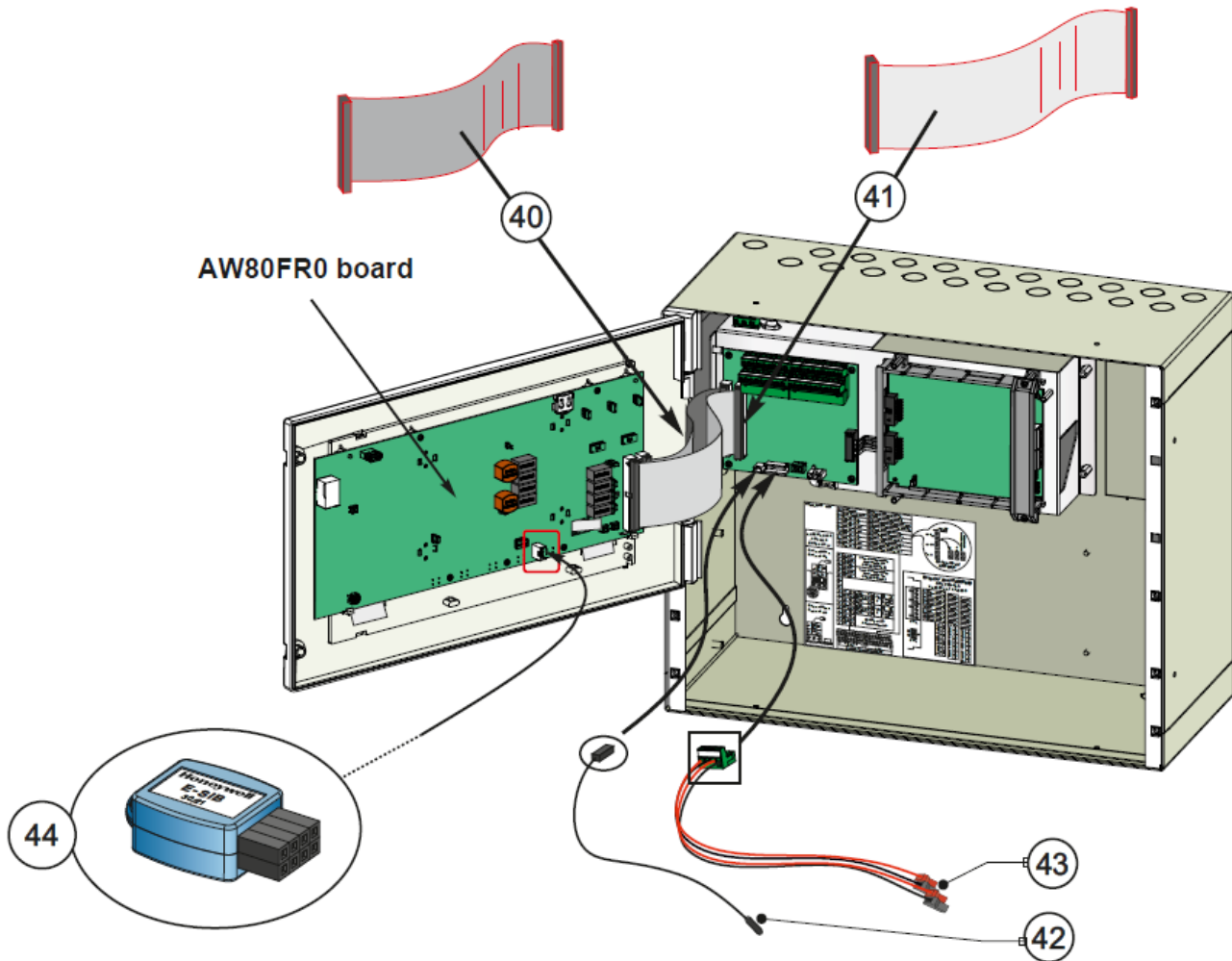
2. Remove the plastic cap from the blind plate (45).



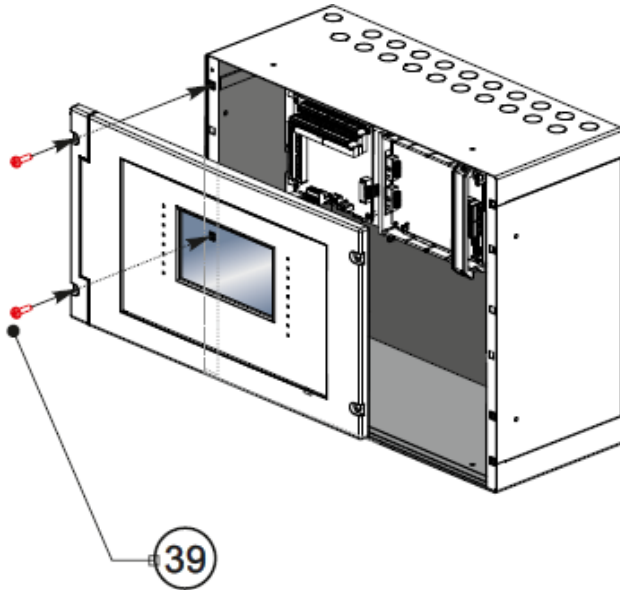
3. Open the door of the panel removing the 2 screws (46).



4. Unplug the battery cable (43).
5. Disconnect the batteries from the cable.
6. Switch off the electrical cabinet to cut off the power supply to the panel.
7. Unplug the main power supply cable CN1.
8. Waiting for 1 minute to ensure the panel is not live before proceeding further.
9. Unplug the E-SIB key (44) - if it is connected.
10. Unplug the 50 pin flat cable (41) from AW80FR0 board.
11. Unplug the 50 pin flat cable (40) from AW80FR0 board.



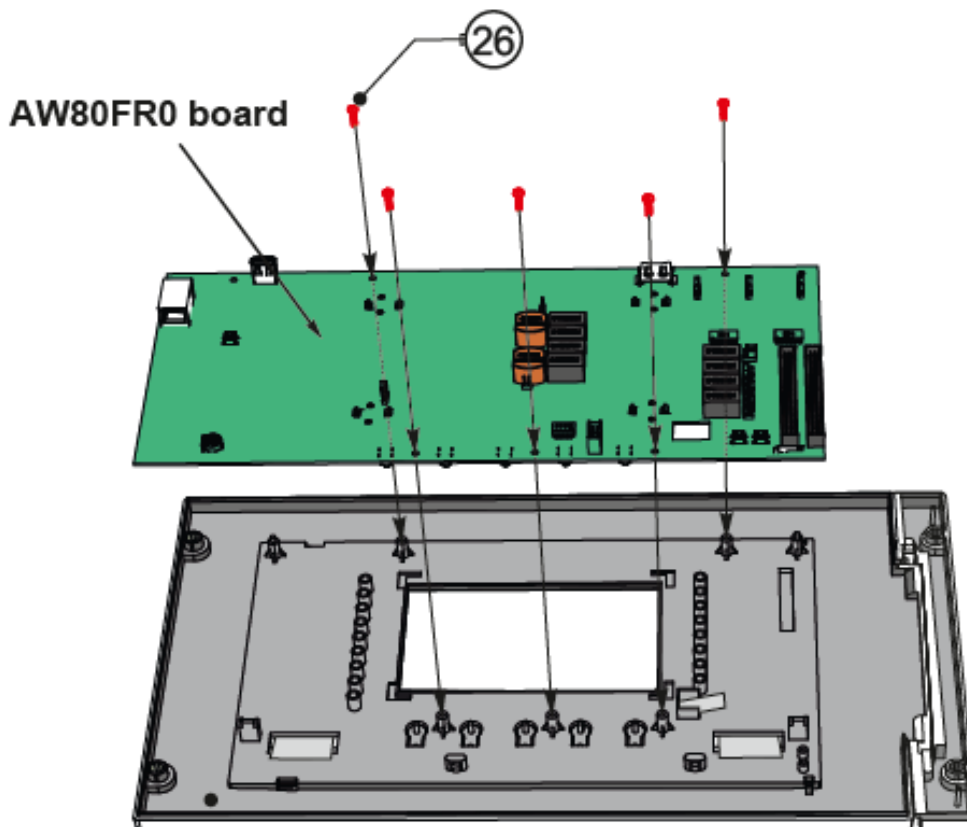
12. Remove the door of the panel by unscrewing the 2 screws (39).



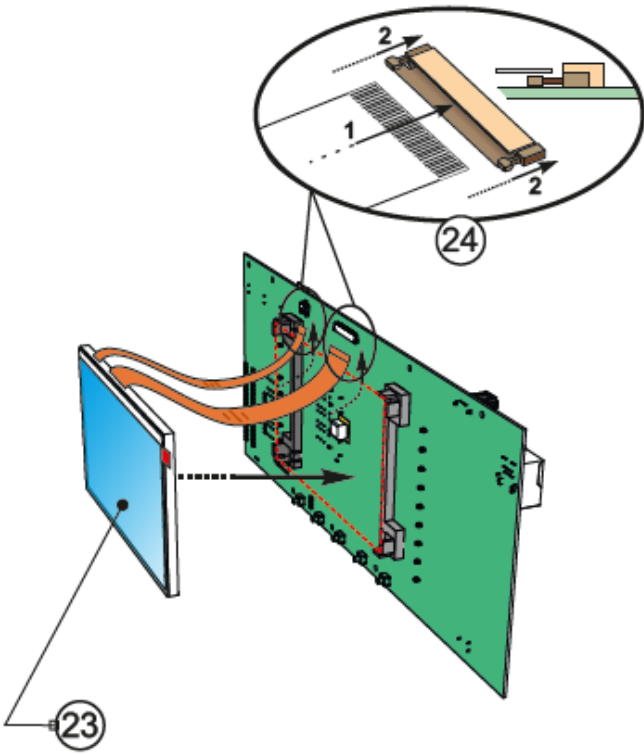
13. Remove the door carefully, lay it down on a flat and protected surface to avoid scratches and damages.

14. Unscrews the 5 screws (26).

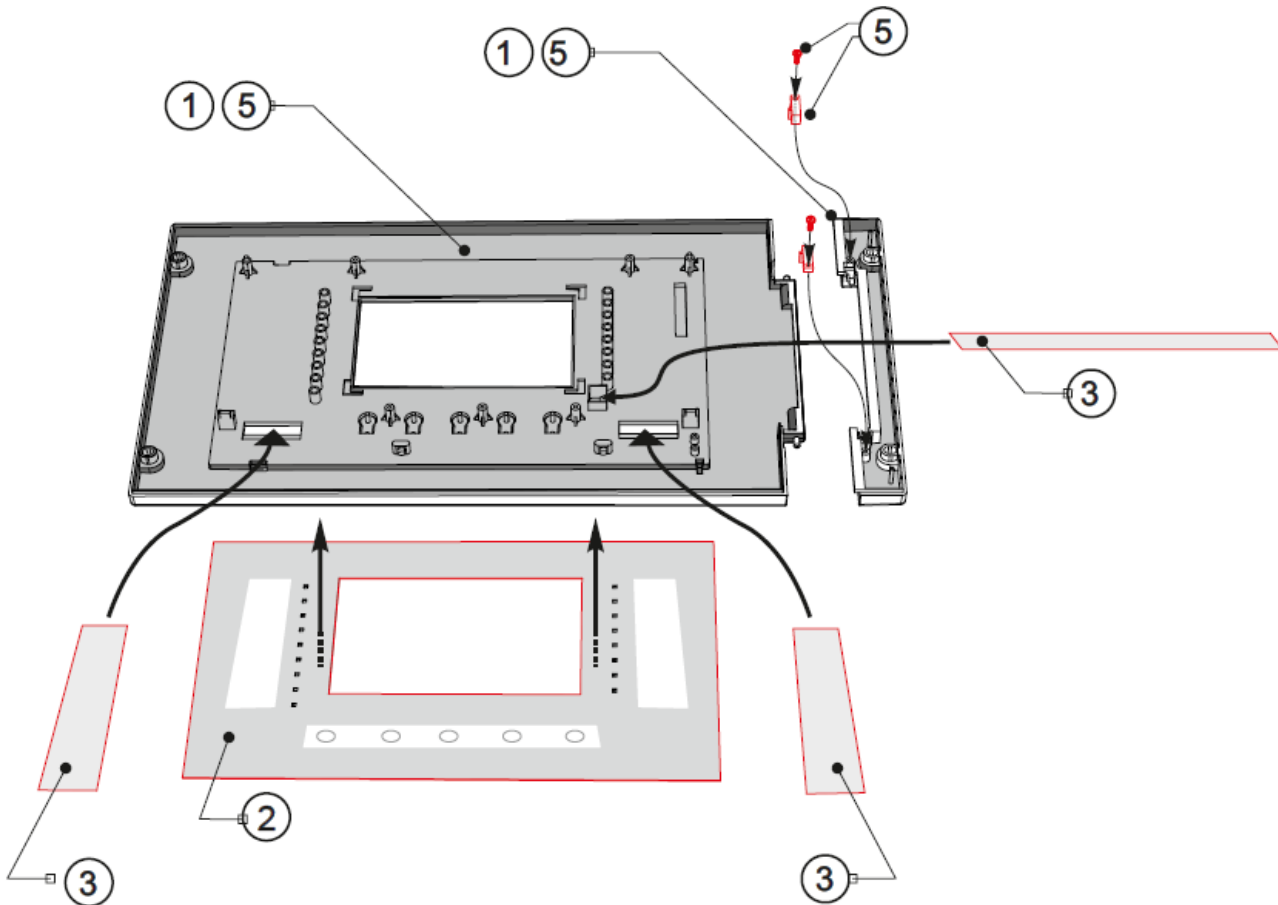
15. Remove the AW80FR0 board lifting up using both hands.



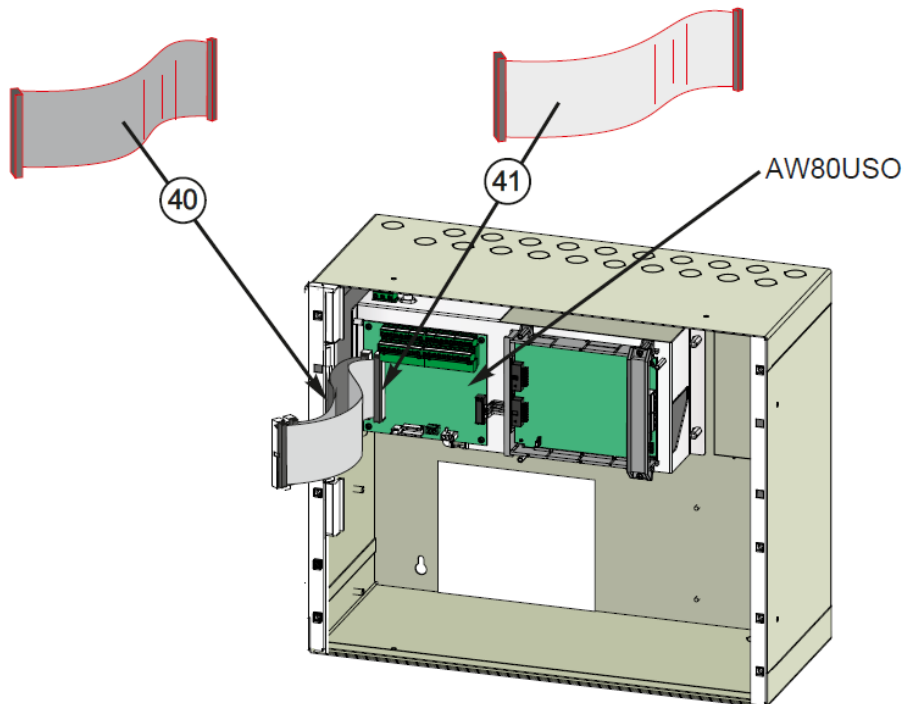
16. Move the HMI / Display (23) out of the supporting brackets, and unplug the 2 flat cables of the HMI from the board (24).



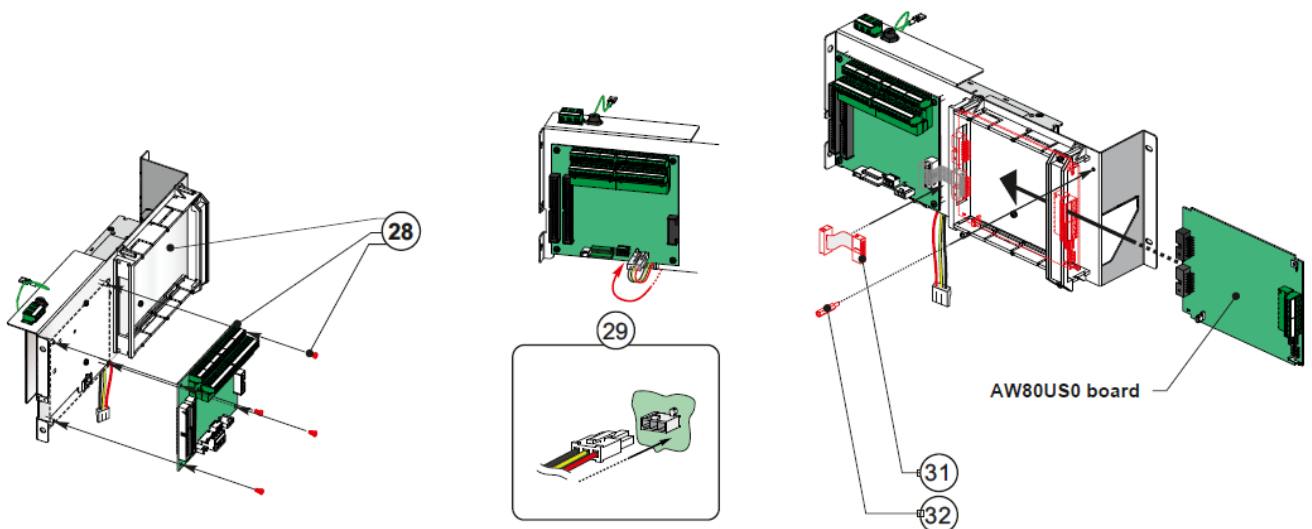
17. Remove labels (3).



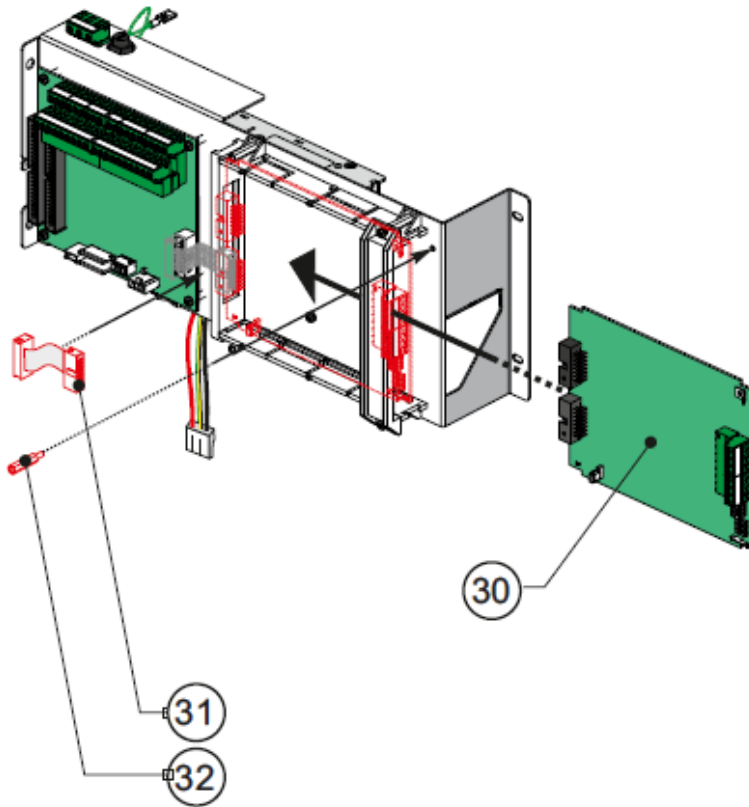
18. Unplug the 50 pin flat cable from the AW80US0 terminal card (41).
19. Unplug the 50 pin flat cable from the AW80US0 terminal card (40).



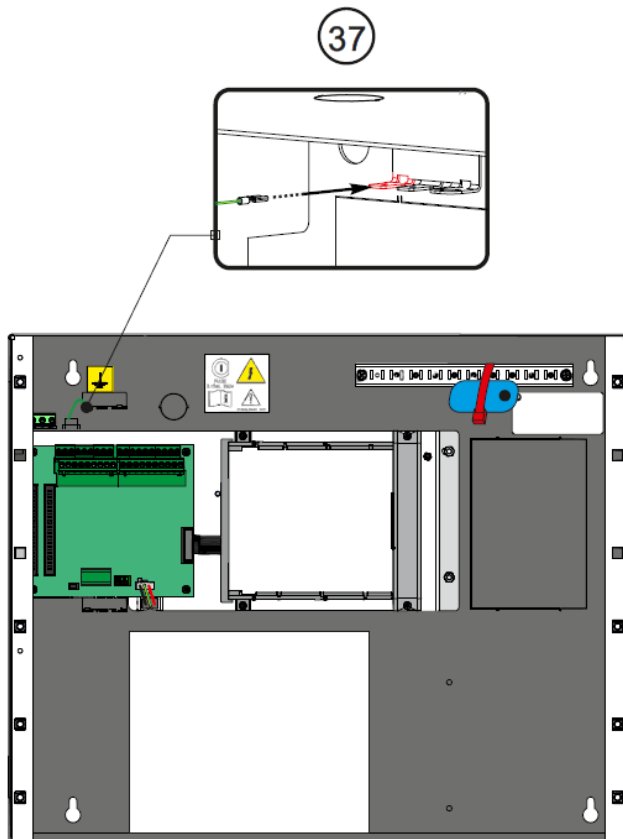
20. Unplug the cable (29) from AW80US0 board (28).
21. Unplug the cable (31) from AW80US0 board (28).
22. Unscrew the 4x screws from the AW80US0 board (28) and remove the board from the metal support.



23. Remove all flat cables (31) from all the expansion cards (30).
24. 24. Remove the 2 screws (32) from the expansion card retainer, and slide out the expansion cards (30) from the plastic support tray.

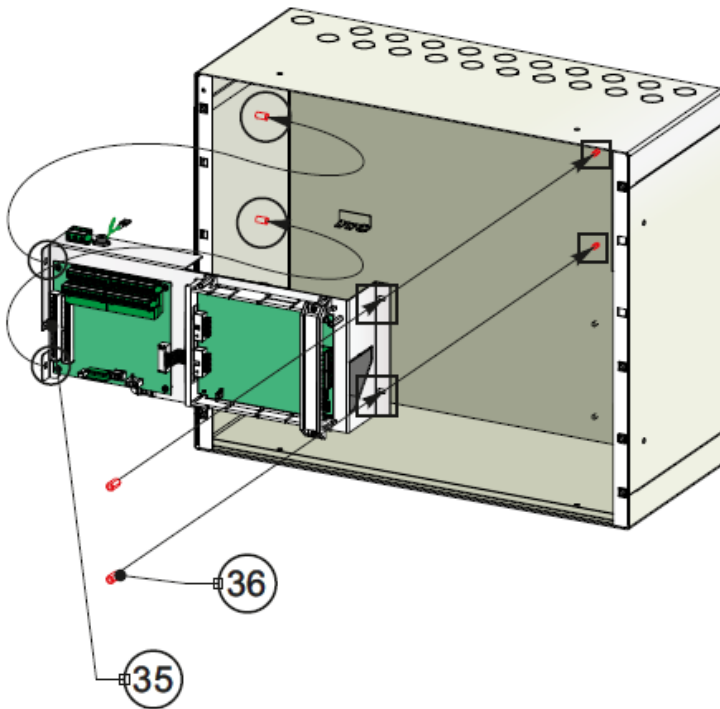


25. Unplug the earth cable connected to the panel cabinet (37).



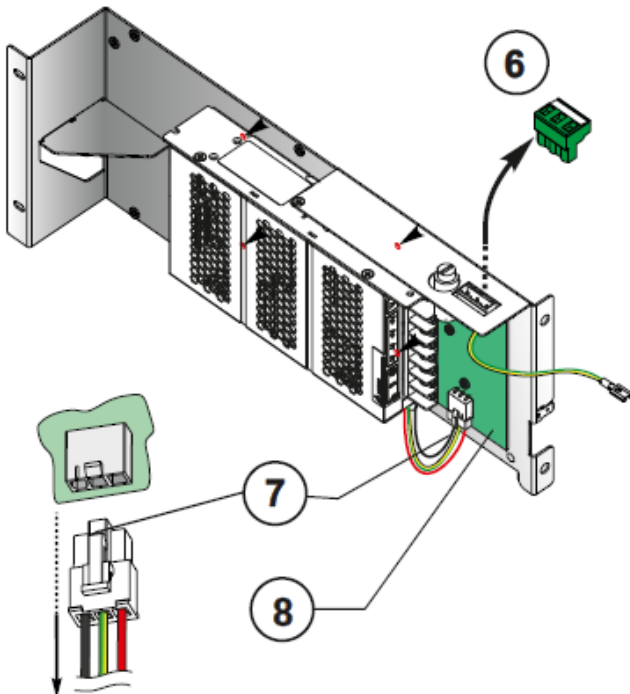


26. Unscrew the spacers (36) and remove the metal support from the pins (35).

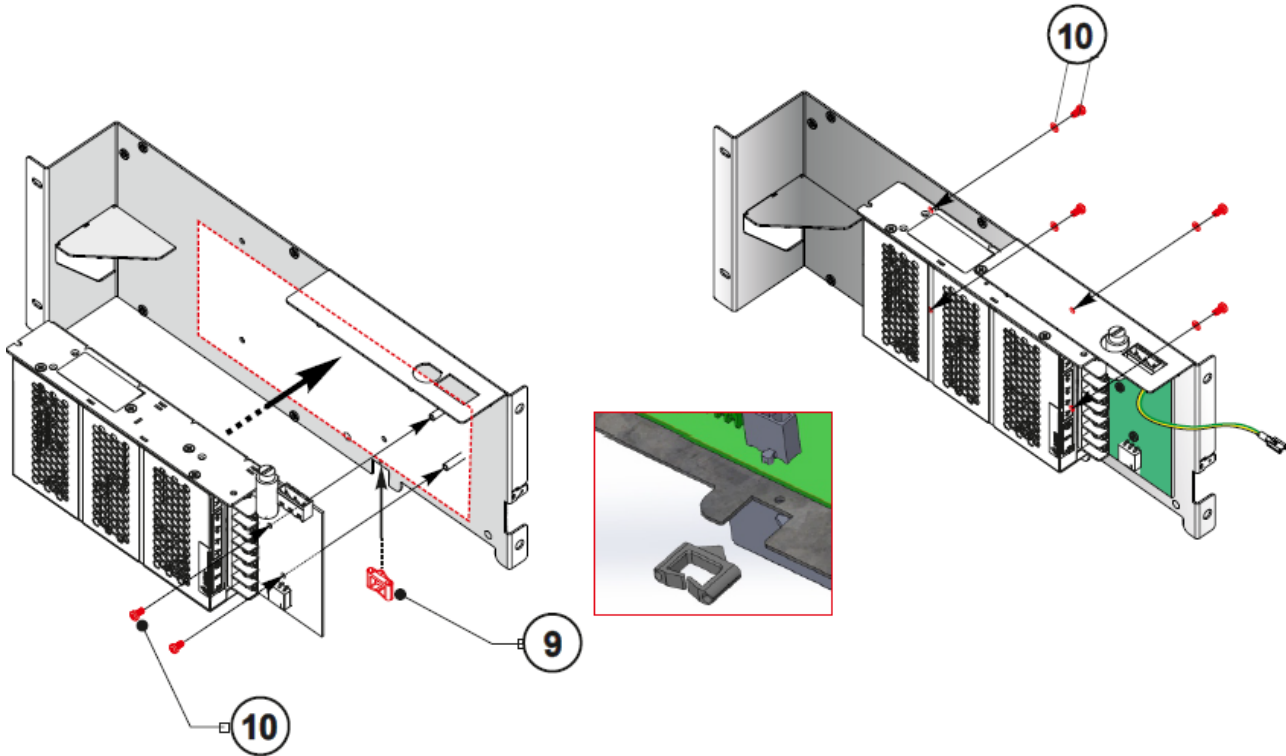


27. Remove terminal block (6) from the PSU terminal board (8).

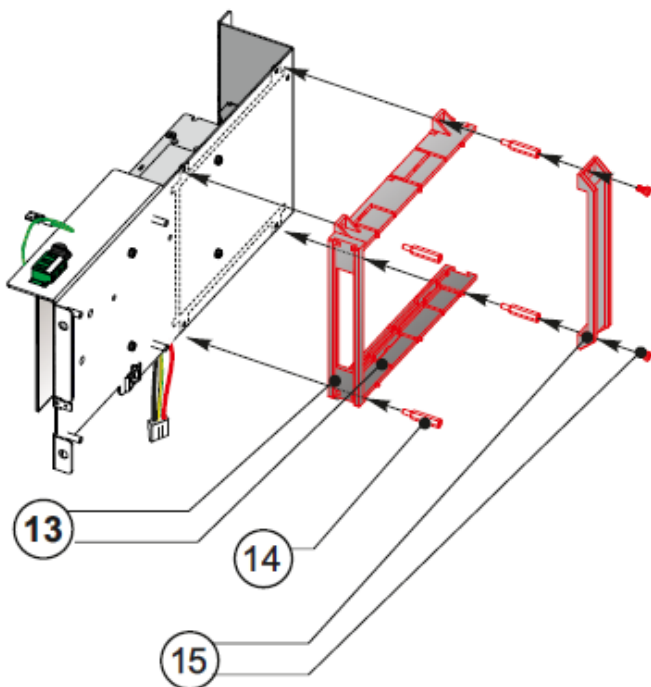
28. Unplug the cable (7) from board (8).



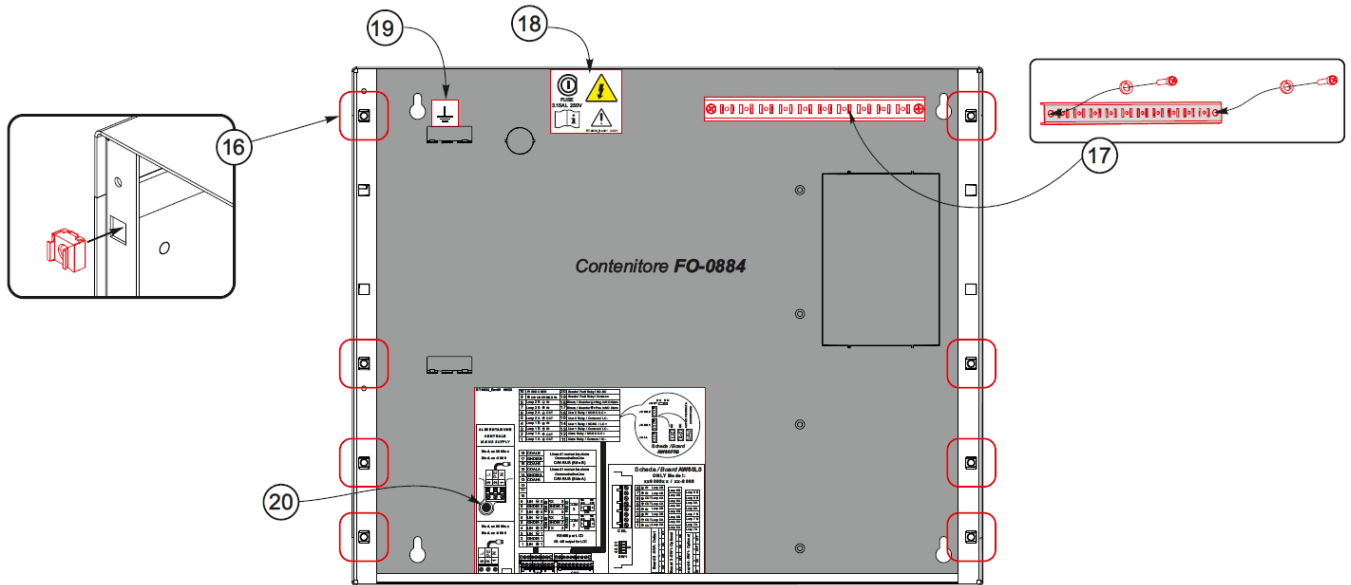
29. Remove the 4 screws and 4 spacers (10).
30. Remove the 2 screws (10).
31. Remove the power supply group from the metal support.
32. Remove the AW80PP0 board from power supply.
33. Remove cable support insert (9).



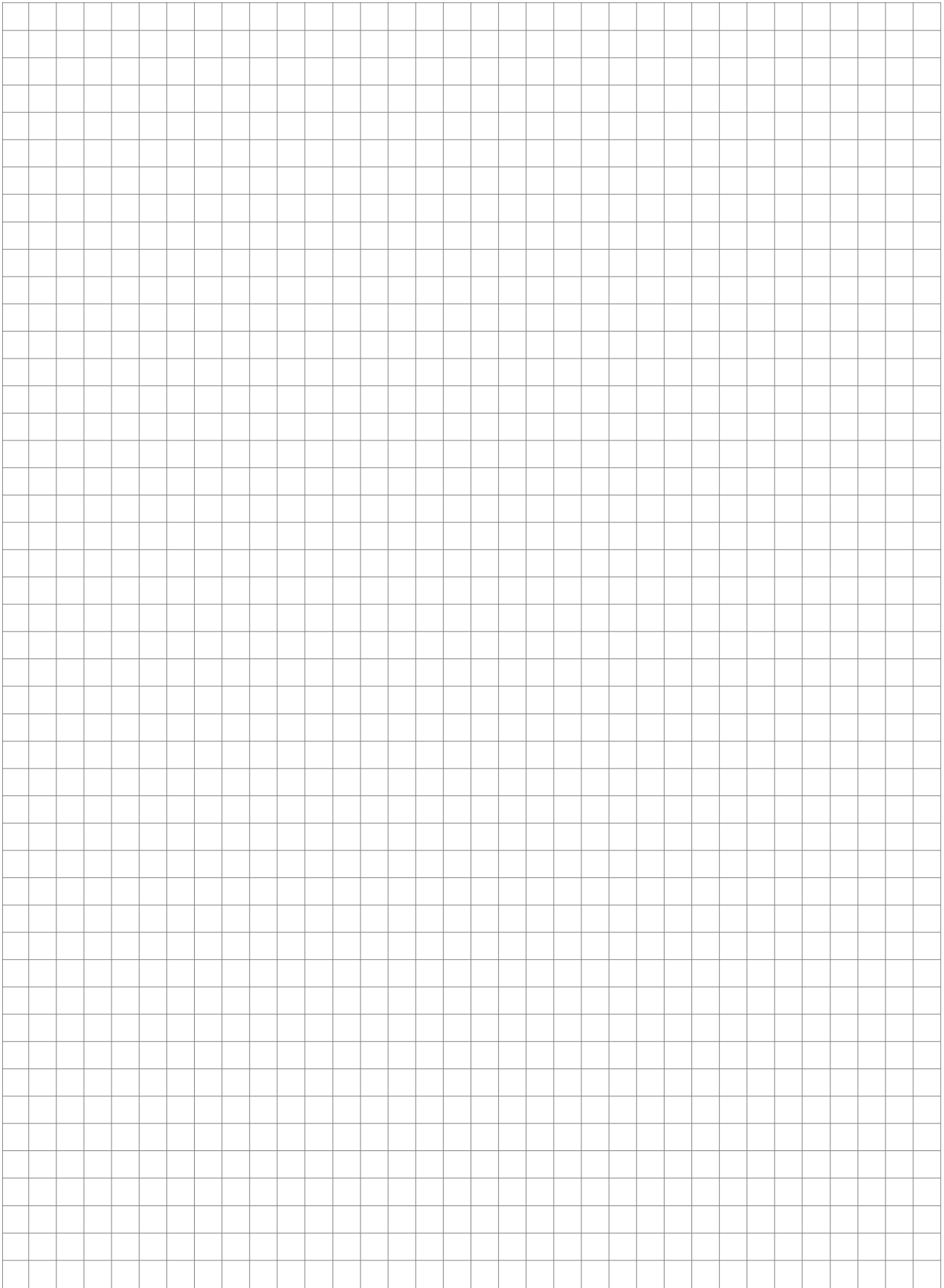
34. Remove 2 screws and metal part (15).
35. Remove 4 spacers (14) from all the expansion mounting kits, as well as plastic support and 2 supports (13) from metal support.



36. Remove 8 nuts (16) from metal frame.
37. Remove 2 screws and 2 spacers as well as earth metal part (17).



**Notes**

A large grid of graph paper for taking notes. The grid consists of 20 columns and 30 rows of small squares, providing a structured area for writing or drawing.



**Honeywell House**  
Skimped Hill Lane  
BRACKNELL  
Berkshire, RG12 1EB  
UK

M-167.9-Dismantling-MA-8000-EN / 02.2023  
Technical changes reserved!  
© 2023 Honeywell International Inc.

