

**MA-2000**

MA-2000

Dismantling Information

M-167.9-Dismantling-MA-2000-EN / 09.2022

## Intended purpose

This product may be used only for the applications outlined in the catalogue and in the technical description, and only in conjunction with the recommended and approved external devices and components.

This documentation contains registered and unregistered trademarks. All trademarks are the property of the respective owners. The use of this documentation does not grant you a licence or any other right to use any name, logo or label referred to or depicted herein.

This documentation is subject to the copyright of Honeywell. The content must not be copied, published, modified, distributed, transmitted, sold or changed without the express prior written permission of Honeywell. The information contained in this documentation is provided without warranty.

## Safety-related user information

This manual includes information required for the proper use of the products described.

In order to ensure correct and safe operation of the product, all guidelines concerning its transport, storage, installation, and mounting must be observed. This includes taking the necessary care when operating the product.

The term 'qualified personnel' in the context of the safety information included in this manual or on the product itself designates:

- project engineers who are familiar with the safety guidelines concerning fire alarm and extinguishing systems.
- trained service engineers who are familiar with the components of fire alarm and extinguishing systems and the information on their operation as included in this manual.
- trained installation or service personnel with the necessary qualifications for carrying out repairs on fire alarm and extinguishing systems, or who are authorised to operate, earth and label electrical circuits and/or safety equipment/systems.

## Symbols

The following information is provided in the interests of personal safety and to prevent damage to the product described in this manual and all equipment connected to it.

Safety information and warnings to prevent hazards endangering the life and health of users and maintenance personnel, as well as causing damage to the equipment itself, are indicated by the following pictograms. Within the context of this manual, these pictograms have the following meanings:



**Warning** - designates risks to person and/or machine. Non-compliance will result in risks to person and/or machine. The level of risk is indicated by the word of warning.



**Note** - important information on a topic or a procedure and other important information.



**Standards and guidelines** - observe configuration and commissioning information in accordance with the national and local requirements.

## Dismantling

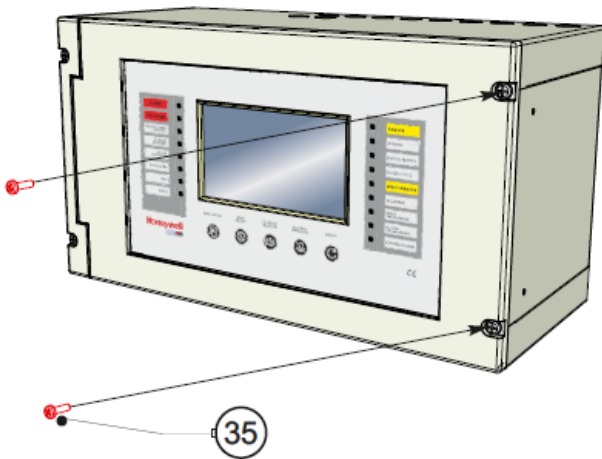


In accordance with Directive 2012/19/EU (WEEE), after being dismantled, electrical and electronic equipment is taken back by the manufacturer for proper disposal.

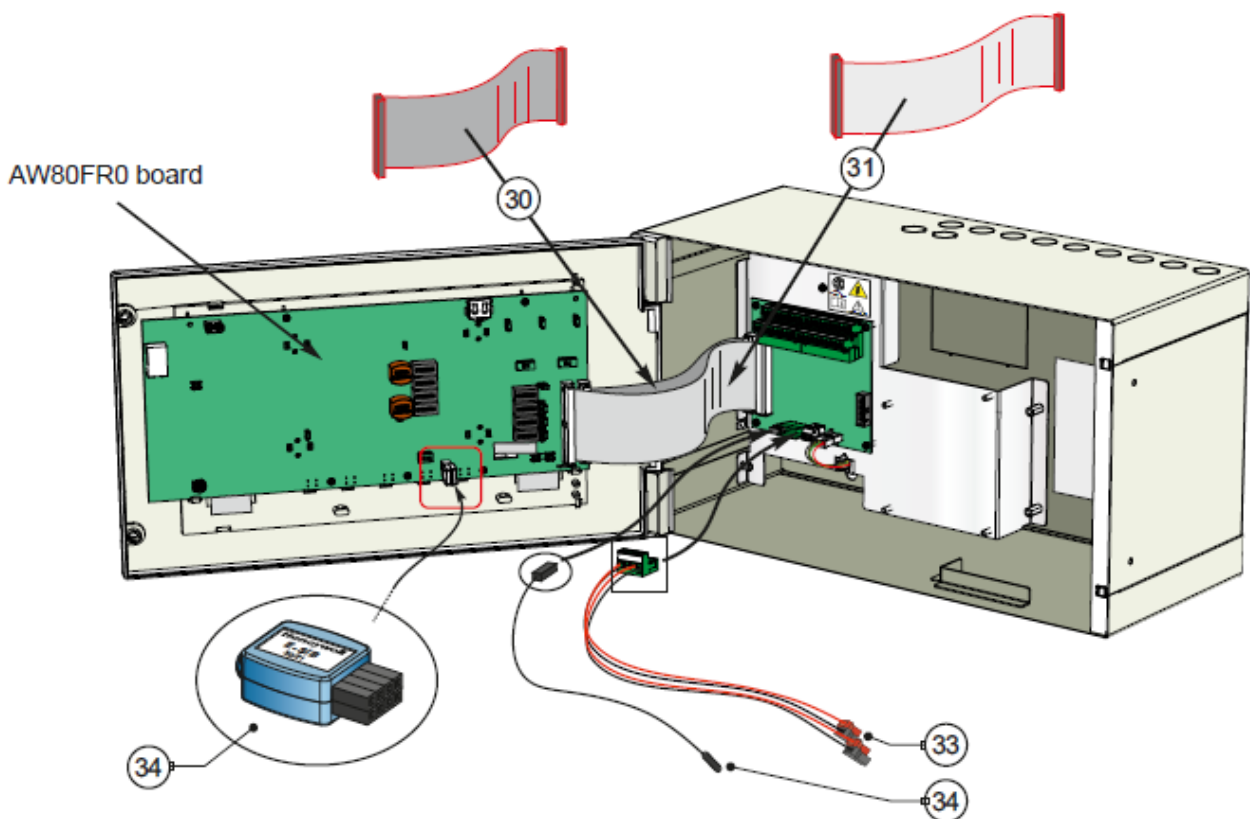
## © Honeywell International Inc./technical changes reserved!

This documentation is subject to copyright law and, as per Sections 16 and 17 of the German Copyright Act (UrhG), may be neither copied nor disseminated in any other way. Any infringement as per Section 106 of the UrhG may result in legal action.

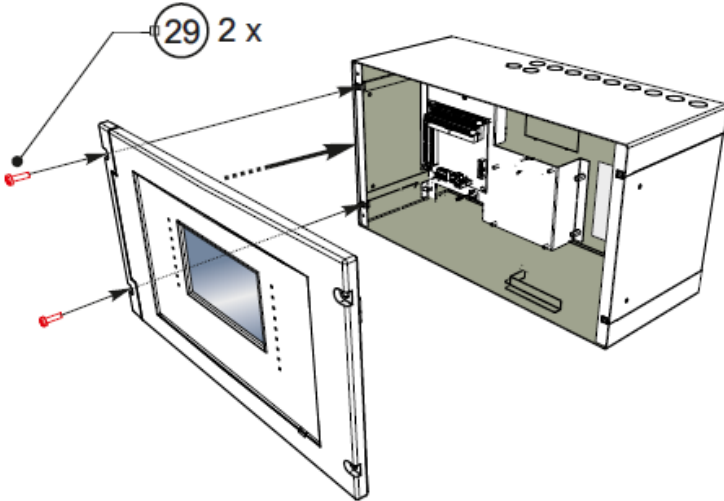
1. Open the door of the panel removing the 2 screws (35).



2. Unplug the battery cable (33) from the board AW80USO.
3. Disconnect the batteries from the cable.
4. Switch off the electrical cabinet to cut off the power supply to the panel.
5. Unplug the main power supply cable CN1.
6. Waiting for 1 minute to ensure the panel is not live before proceeding further.
7. Unplug the E-SIB key (34) whether connected.
8. Unplug the 50 poles flat cable (31) from AW80FR0 board.
9. Unplug the 50 poles flat cable (30) from AW80FR0 board.



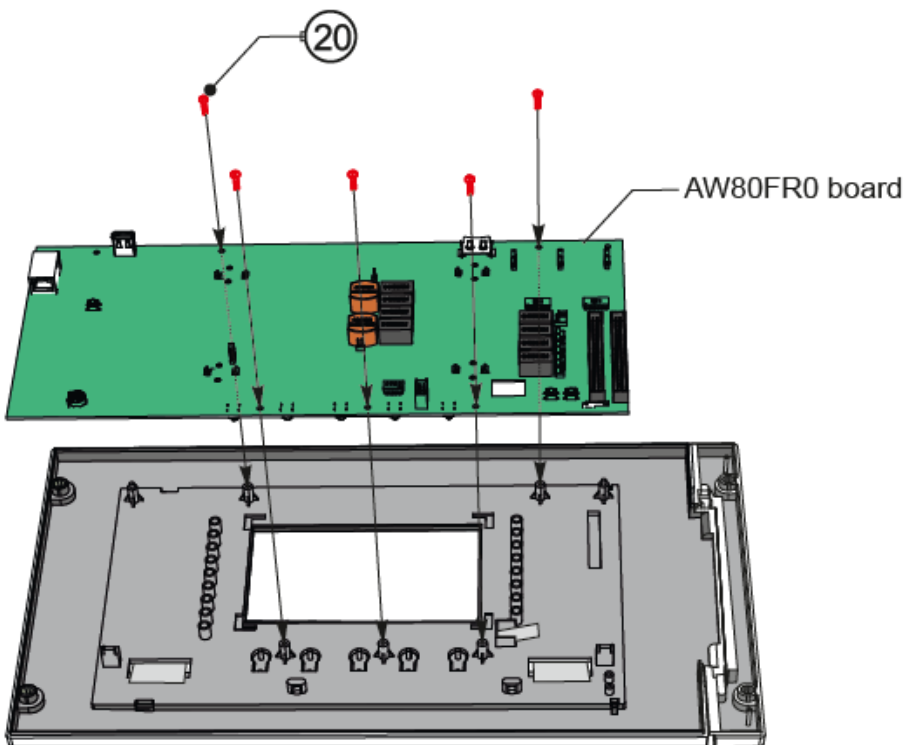
10. Remove the door of the panel unscrewing the 2 screws (29).



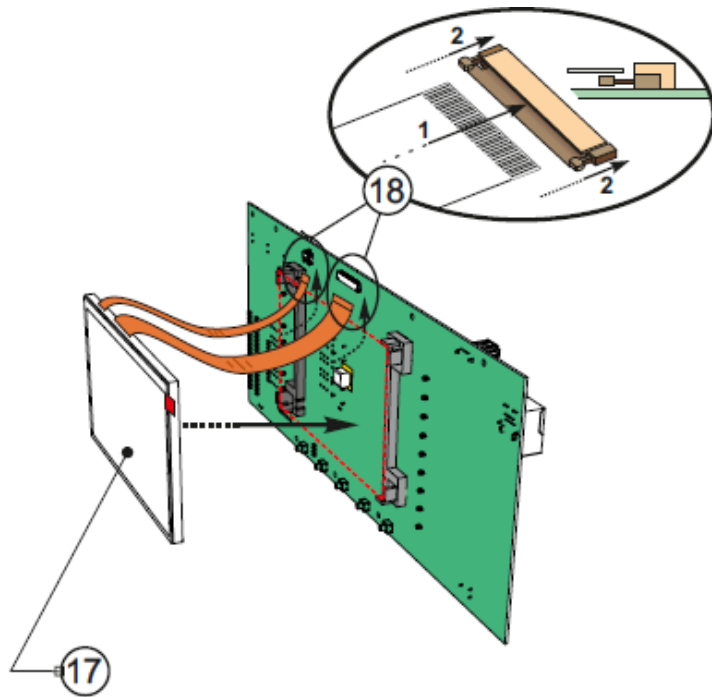
11. Remove the door carefully lay down it on a flat and protected surface to avoid scratches and damages.

12. Unscrews the 5 screws (20).

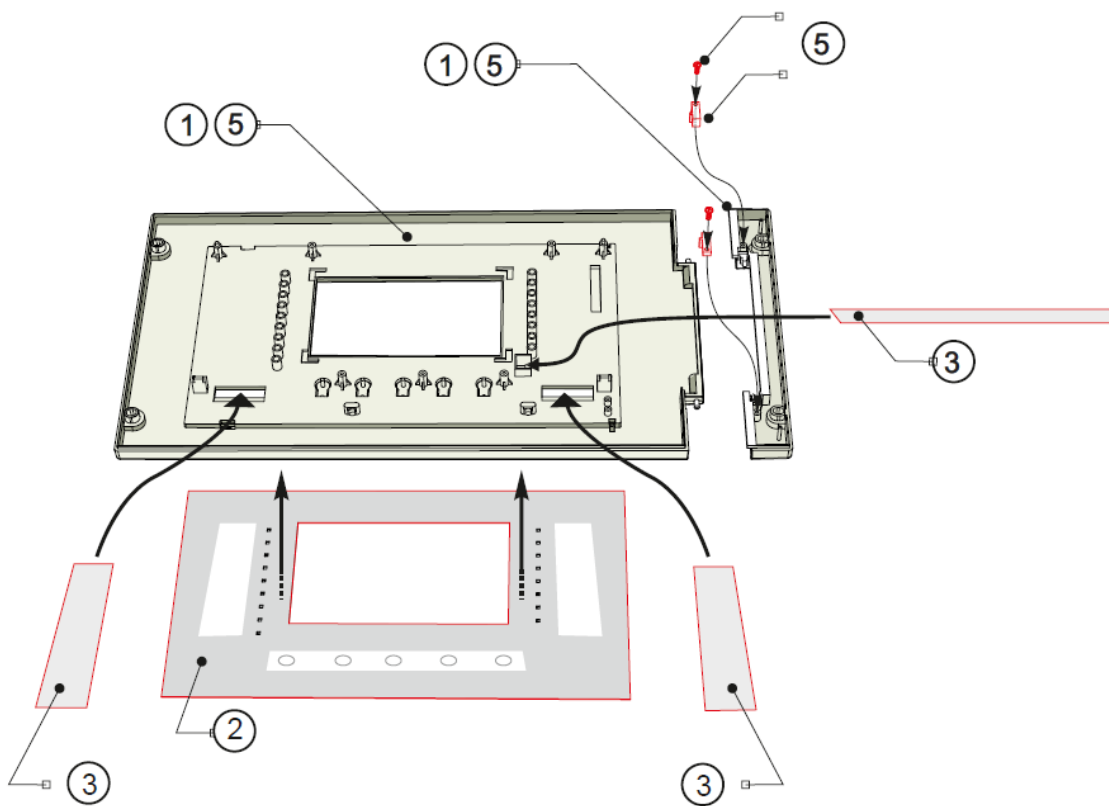
13. Remove the AW80FR0 board lifting up using both hands (see assembly instruction).



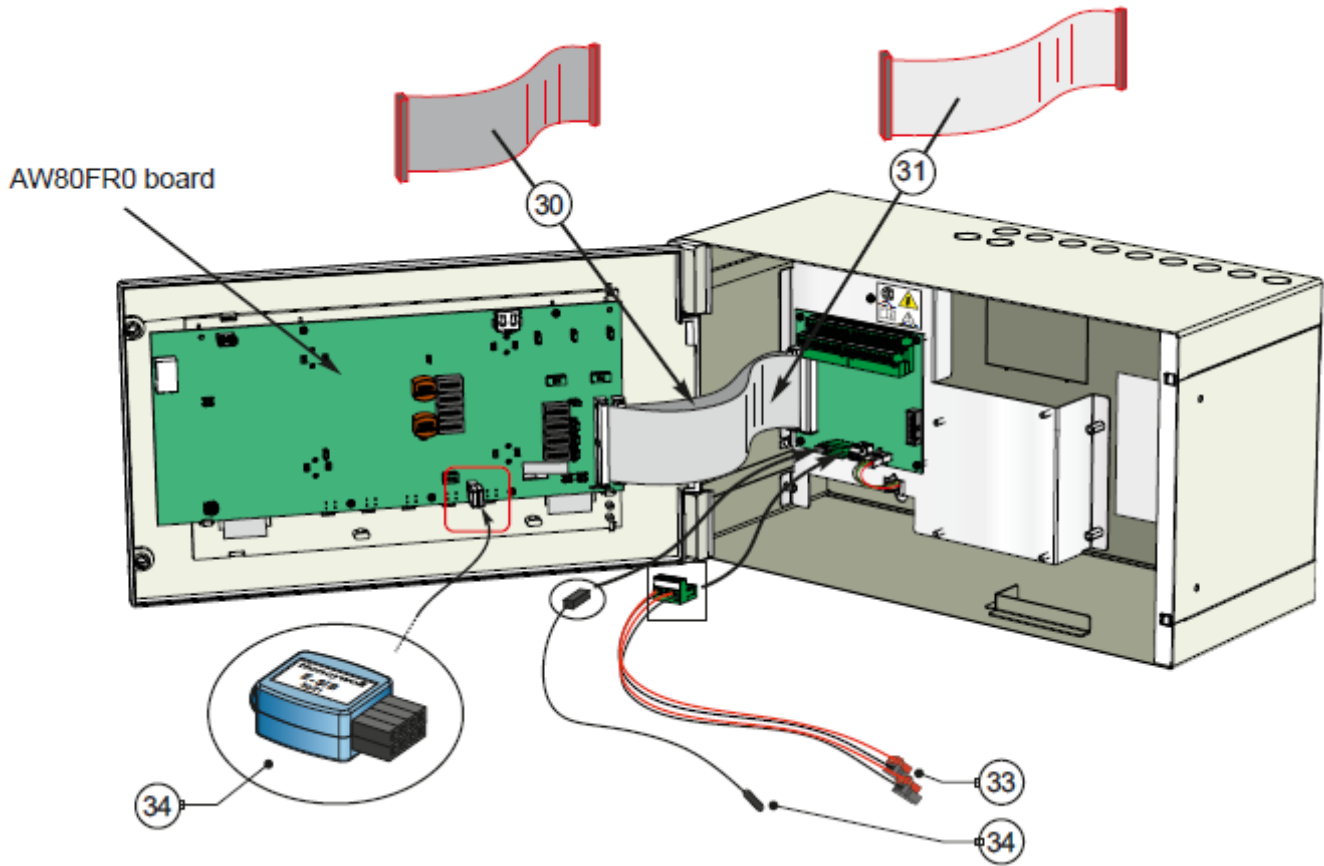
14. Move the HMI (17) out of the support and unplug the 2 flat cables of the HMI from the board (18).



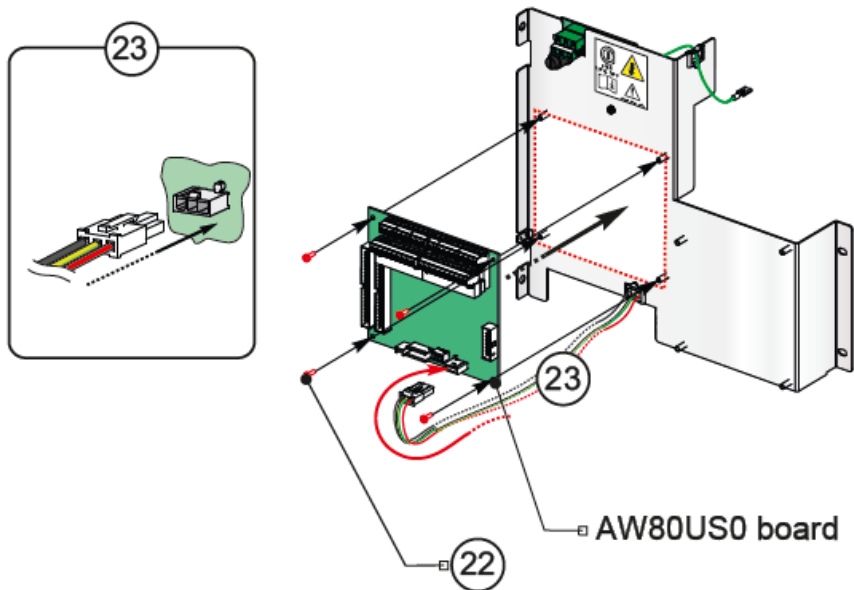
15. Remove labels (3).



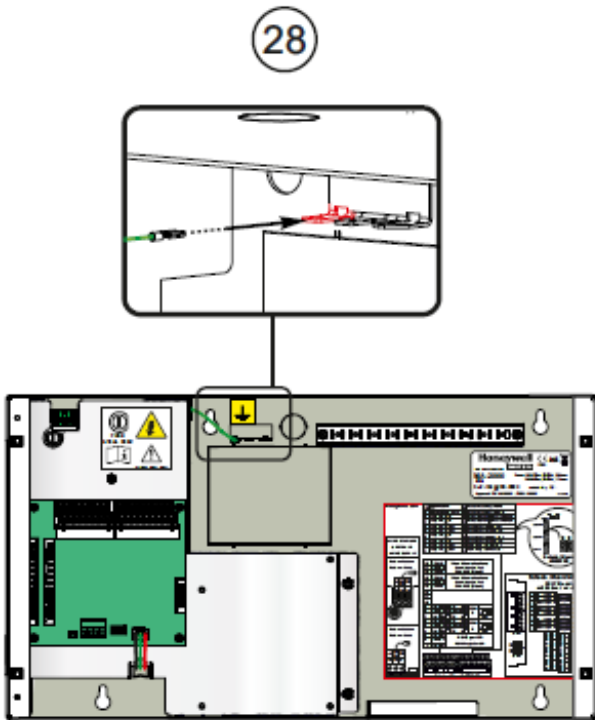
16. Unplug the 50 poles flat cable (31) from AW80US0 board.
17. Unplug the 50 poles flat cable (30) from AW80US0 board.



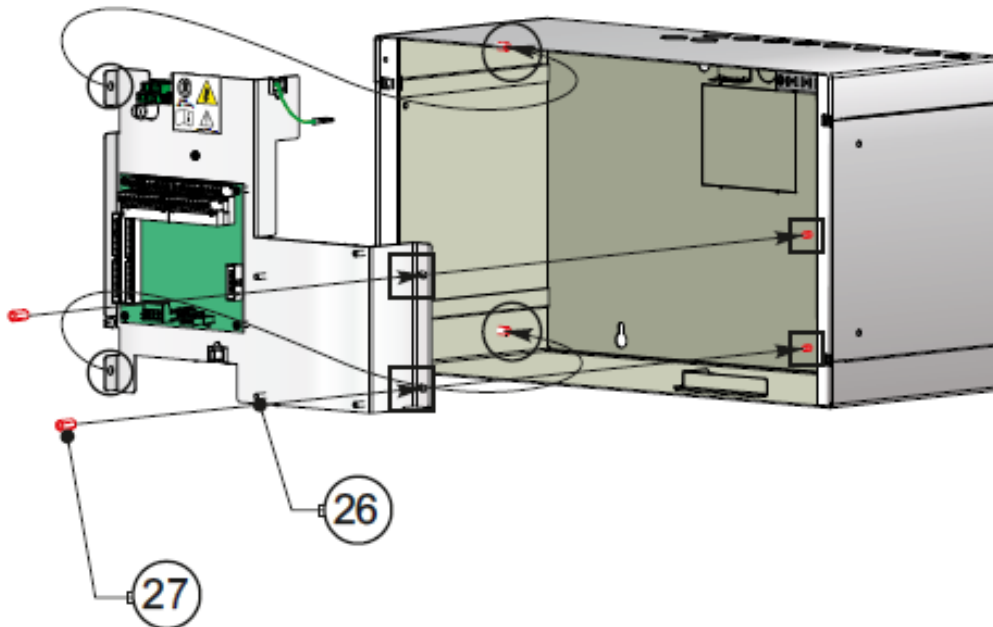
18. Unplug the cable (23) from AW80US0 board.
19. Unscrew the 4 x (22) from the AW80US0 board and remove the board.



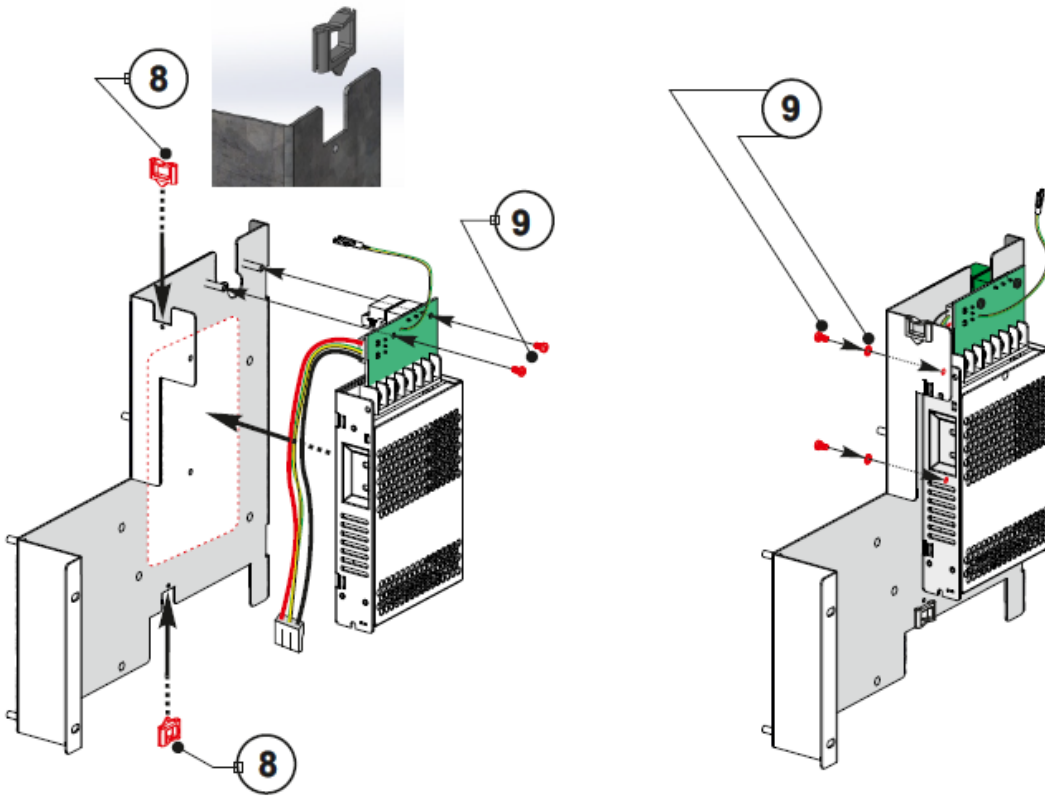
20. Unplug the cable (28).



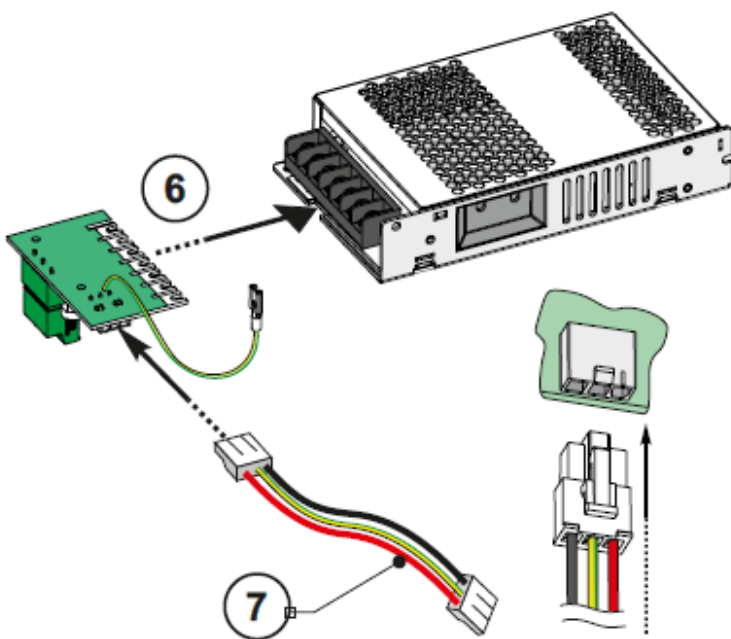
21. Unscrew the spacers (27) and remove the metal support.



- 22. Remove fairlead (8).
- 23. Remove the 4 screws (9).
- 24. Remove the power supply group from the metal support.



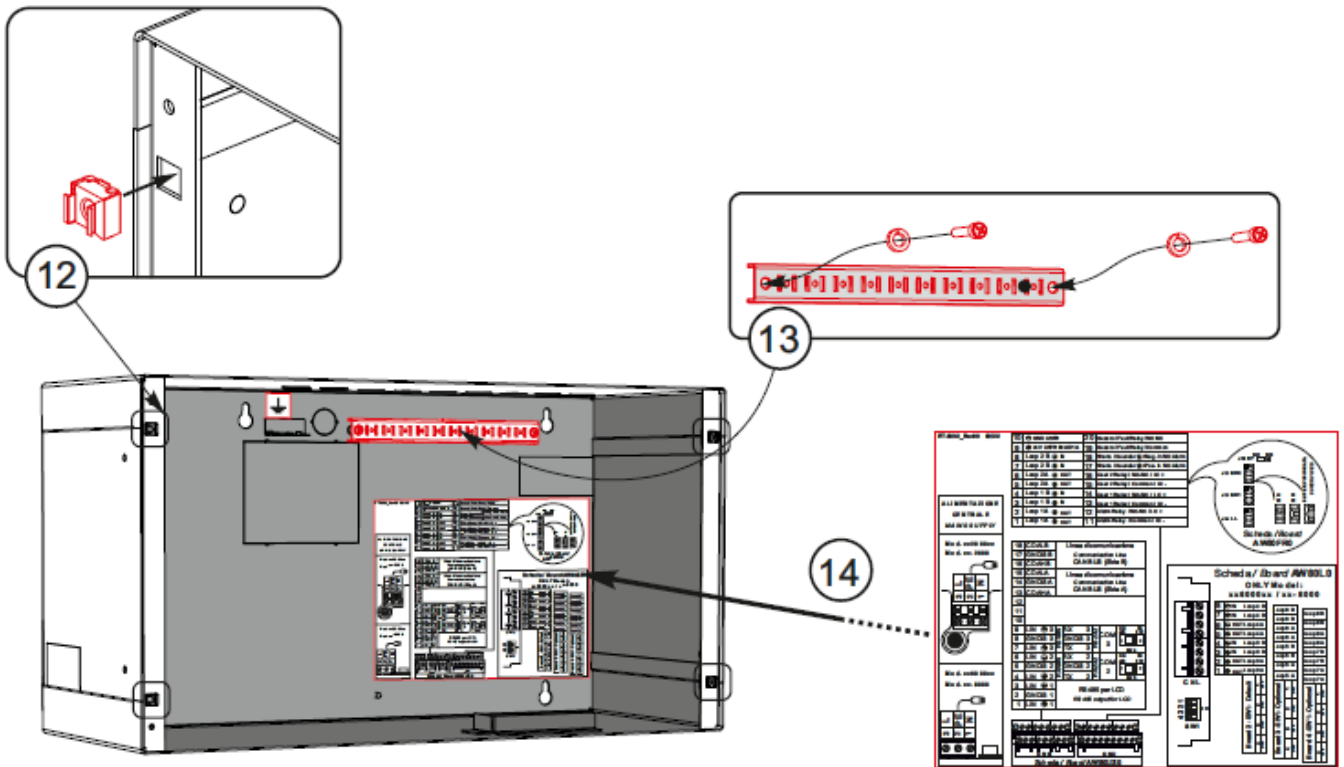
- 25. Unplug the cable (7) from the board (6).
- 26. Remove the board (6) from power supply.





27. Remove 4 nuts (12) from metal frame.

28. Remove 2 screws and 2 spacer and earth metal part (13).







**Honeywell House**  
Skimped Hill Lane  
BRACKNELL  
Berkshire, RG12 1EB  
UK

M-167.9-Dismantling-MA-2000-EN / 09.2022  
Technical changes reserved!  
© 2022 Honeywell International Inc.

