



Masterseal™ Compact

Ingress Protected IP66

Ingress Protected IP66

The new and innovative Masterseal™ Compact range of switches and sockets from MK, has been specifically designed for use in either outdoor or indoor environments and in areas heavily exposed to dust and splashing water. Sealed to IP66 and tested by MK well in excess of British Standard, it will protect you and your electrical supply in the unfriendliest of environments.

In addition to its ease of installation, the range is aesthetically pleasing with a modern, slim and curved design, allowing the switches and sockets to blend easily with their surroundings.

Waterproof and Dustproof

Offers protection from strong jets of water from any direction, and protection from dust, sawdust and small particles

Temperature Tolerant

Reliable in operation during extremes of heat or cold

Durable Material

The use of high quality plastic prevents discoloration, cracking or fading in UV light

Robust Construction

A robust range of products made with polycarbonate, one of the toughest thermoplastics available in the world.



Water proof connection to safeguard home and family



Dust proof connection to safeguard work areas.



Masterseal™ Compact's unique design means socket outlets retain their IP66 rating when in use.



by Honeywell

Socket Outlets

13 AMP & 15 AMP



86486 WHI



86480 WHI



86893 GRY



86401 GRY



86402 GRY



86486 TC GRY



86772 GRY



86893 TC WHI



86401 TC WHI



86402 TC WHI

86486 GRY
86486 WHI
13AMP 1 gang SP
switched

86480 GRY
86480 WHI
13AMP 1 gang
unswitched

86893 GRY
86893 WHI
15AMP 1 gang
switched

86401 GRY
86401 WHI
10AX 1 gang
2 way SP switch

86402 GRY
86402 WHI
10AX 2 gang
2 way SP switch

86486 TC GRY
86486 TC WHI
13AMP 1 gang SP
switched with
Translucent Lid

86772 GRY
86772 WHI
15AMP 1 gang
unswitched

86893 TC GRY
86893 TC WHI
15AMP 1 gang
switched with
Translucent Lid

86401 TC GRY
86401 TC WHI
10AX 1 gang
2 way SP switch with
Translucent Lid

86402 TC GRY
86402 TC WHI
10AX 2 gang
2 way SP switch with
Translucent Lid

Switches

10 AX

Ingress Protected IP66

Switches

10 AX

10 AMP

Connection Unit

13 AMP

Switch Modular

20 AMP



86403 WHI



86407B GRY



86407P WHI



86072 WHI



86423 GRY



86403 TC GRY



86407B TC GRY



86407P TC GRY



86072 TC GRY



86423 TC WHI

86403 GRY
86403 WHI
 10AX 3 gang
 2 way SP switch

86403 TC GRY
86403 TC WHI
 10AX 3 gang
 2 way SP switch with Trans-
 lucent Lid

86407B GRY
86407B WHI
 10AMP 1 gang
 1 way SP push switch
 marked 'BELL'

86407B TC GRY
86407B TC WHI
 10AMP 1 gang
 1 way SP push switch
 marked 'BELL' with
 Translucent Lid

86407P GRY
86407P WHI
 10AMP 1 gang
 1 way SP push switch
 marked 'PRESS'

86407P TC GRY
86407P TC WHI
 10AMP 1 gang
 1 way SP push switch
 marked 'PRESS' with Trans-
 lucent Lid

86072 GRY
86072 WHI
 13AMP switched fused
 connection unit with front
 flex outlet

86072 TC GRY
86072 TC WHI
 13AMP switched fused con-
 nection unit with front flex
 outlet with Translucent Lid

86423 GRY
86423 WHI
 1 gang 20AX
 DP switch with neon

86423 TC GRY
86423 TC WHI
 1 gang 20AX
 DP switch with neon and
 Translucent Lid



by Honeywell

Voice Outlet

RJ 11



86431 GRY



86503 GRY



86432 GRY



86504 GRY



86817 GRY



86431 TC WHI



86503 TC WHI



86432 TC WHI



86504 TC GRY

86431 GRY*
86431 WHI*
20AX 1 gang 2 way
SP switch

86503 GRY*
86503 WHI*
20AX 1 gang 1 way
DP switch

86432 GRY*
86432 WHI*
20AX 2 gang 2 way
SP switch

86504 GRY*
86504 WHI*
20AX 2 gang 1 way
DP switch

86817 GRY
86817 WHI
1 gang RJ11 4 Wire
telephone socket

86431 TC GRY*
86431 TC WHI*
20AX 1 gang 2 way
SP switch with
Translucent Lid

86503 TC GRY*
86503 TC WHI*
20AX 1 gang 1 way
DP switch with
Translucent Lid

86432 TC GRY*
86432 TC WHI*
20AX 2 gang 2 way
SP switch with
Translucent Lid

86504 TC GRY*
86504 TC WHI*
20AX 2 gang 1 way
DP switch with
Translucent Lid

Ingress Protected IP66

Socket Outlet

Data & Voice Outlets

Accessories

Frontplate

Data & Voice
Module



86151 GRY

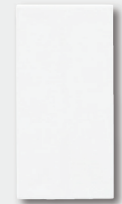


86891 GRY



86450 WHI

A complete product of
86450 WHI &
SX5453 WHI



SX5452 WHI



86837 WHI



86891 TC WHI



86451 WHI



SX5453 WHI

86151 GRY*
86151 WHI*
16AMP 1 gang
Schuko socket

86891 GRY*
86891 WHI*
5AMP 1 gang SP
switched socket
outlet

86450 GRY
86450 WHI
1 gang euro plate
1 module

SX5452 WHI
1 module blank plate
(For use with
86450 WHI/
86451 WHI)

86837 GRY*
86837 WHI*
16AMP 1 gang
unswitched Interna-
tional socket

86891 TC GRY*
86891 TC WHI*
5AMP 1 gang SP
switched socket out-
let with Translucent
Lid

86451 GRY
86451 WHI
1 gang euro plate
2 modules

SX5453 WHI
1 module adaptor
(For use with
86450 WHI/
86451 WHI)



by Honeywell



SX5454 WHI



MB86504 GRY



56462 WHI



56460 WHI



9933



SX5455 WHI



MB86504 WHI



56463 WHI



56461 WHI



56464 WHI

SX5454 WHI
RJ45 CAT 5e Jack

SX5455 WHI
RJ11 Jack

MB86504 GRY
MB86504 WHI
1 gang back box

56462 BLK
56462 WHI
20mm plain conduit entry

56463 BLK
56463 WHI
20mm threaded
conduit entry

56464 GRY
56464 WHI
20mm box coupler

56460 GRY
56460 WHI
Conduit entries-blank

56461 BLK
56461 WHI
Conduit entries-direct entry

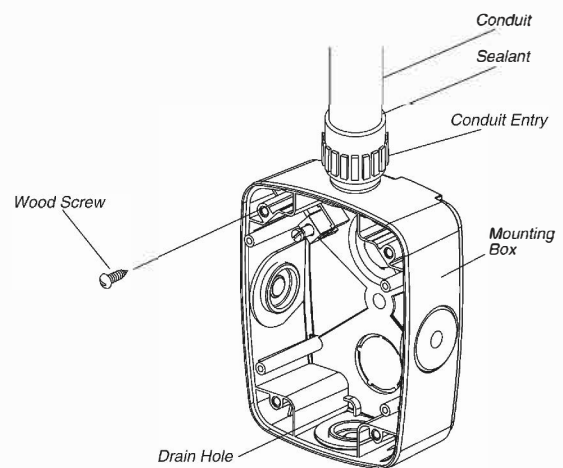
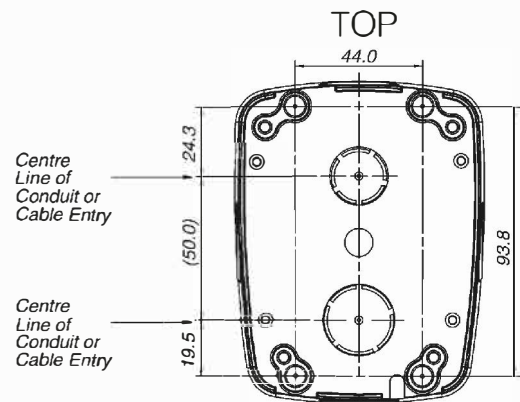
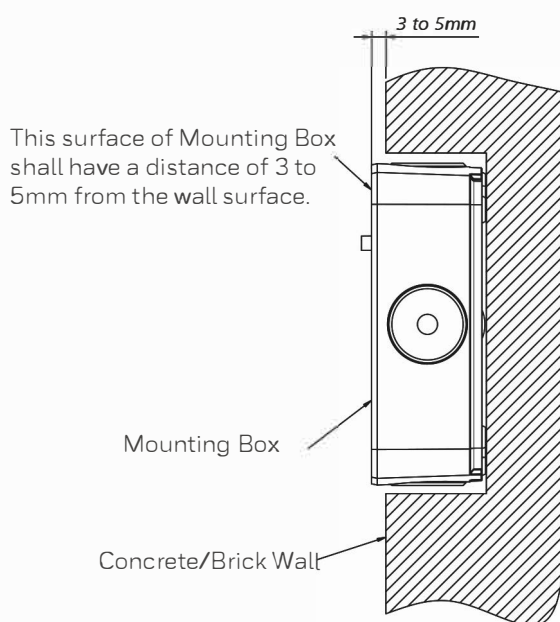
9933
M20 earth lead
adaptor

TECHNICAL INFORMATION

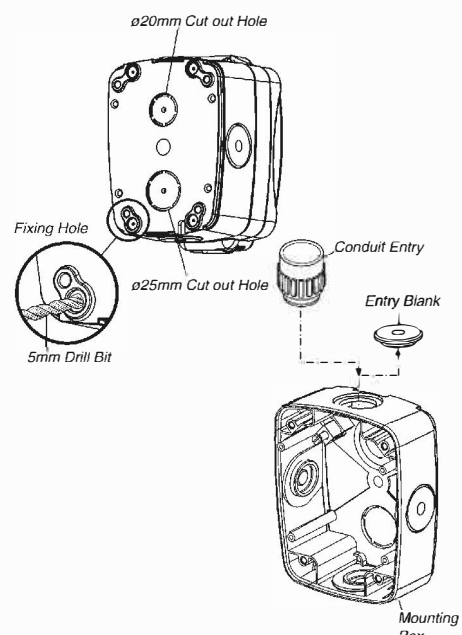
Product Range Features

- Surface mounted and flush mounted products and associated service items are available.
- If flush mounting is intended, the conduit cable entry shall be installed from the rear of the mounting box.

Flush Mounting Guide



- Suitable for indoor and outdoor use wherever dirt and moisture protection is required. All products accept MK push in conduit and cable entries.
- The use of Polycarbonate for the housing of the products created a robust range of switches and socket outlets.
- Provided all enclosure lids are closed and the products are correctly installed, the Masterseal™ Compact range offers an international protection code of IP66 when the products are in or out of use.
- Only plugs that have cable entry from a side edge will allow the lid to close correctly.
- All products conform to their relevant National standard as well as the standard for enclosures BSEN/IEC60529. 13AMP Sockets conform to BS1363 : Part 2, connection units to BS1363:Part 4 and switches to IEC60669-1.



TECHNICAL INFORMATION

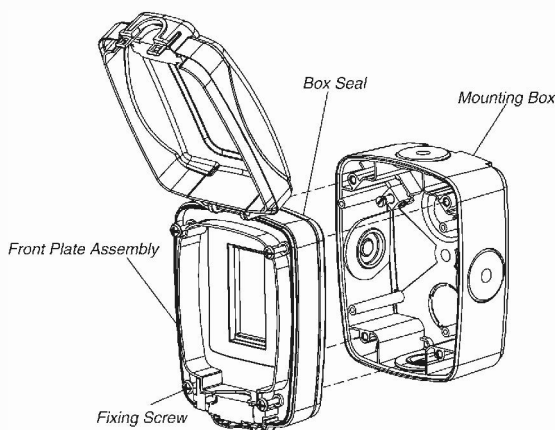
Service Items

LIST NO.	DESCRIPTION	D X H MM
56460	Entry Blank	26.9 dia x 5.25
56461	PVC Cable Entry	26.9 dia x 10.15
56462	20mm Plain Conduit Entry	26.9 dia x 28
56463	20mm Threaded Conduit Entry	26.9 dia x 28
56464	Box Coupler	26.9 dia x 16.5
9933	M20 Earth Lead Adaptor	

Safety Instructions

Switch off and isolate the mains supply before carrying out installation of the Masterseal™ Compact product.

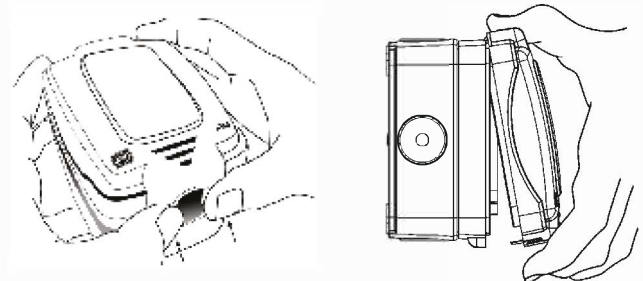
1. The Masterseal™ Compact Euro Data Enclosure 86540 and 86541 are intended for use with extra low voltage data and telephone modules. Data and telephone outlets must not be mixed with other modules intended for mains supply (110-250 VAC 50/60Hz).
2. This product should be installed by a competent person (eg. a qualified electrician).
3. It is essential that all connections are made as instructed, such that cables are not stressed and terminals are fully tightened.



The box seal is attached on the front plate. Ensure the holes are aligned and the slot in the seal is aligned with the ribs on the mounting box.

Wire and fit the front plate. Ensure the seal is correctly located and no cables are trapped.

Method to Release Lid Latch



The full IP66 rating is only achieved when the lid is clipped in the closed position.

Do not operate with damp hands or whilst it is raining. For the enclosure of a socket-outlet, ensure the cable to the appliance is positioned so as to pass through the gel seal before closing the lid, thereby preventing accidental damage to the cable. The gel seal may stain the cable sleeve, this does not cause harm to the cable.

Specification

This product complies with the following standard.

General	BS 5733
13A Socket-outlet	BS 1363-2
15A Socket-outlet	BS 546
Connection Unit	BS 1363-4
Switch	IEC 60669-1
Environmental Protection	BSEN/IEC60529
Operating Temperature	-50C to +400C
Material	Polycarbonate UV stabilised

IP	6	6
Ingress protection	Dustproof to sawdust, dust and other small particles	Waterproof to strong jets of water, from any direction

For more information, please contact:

Email: buildings.asean@honeywell.com

Malaysia (ASEAN Headquarters)

Honeywell International Sdn. Bhd.
Level 25, UOA Corp Tower B, Avenue 10
The Vertical, Bangsar South City,
59200, Kuala Lumpur, Malaysia

Indonesia

PT. Honeywell Indonesia
Menara Prima, 23rd Floor
Jl. DR. Ide Anak Agung Gde Agung Blok 6.2
Kawasan Mega Kuningan, Jakarta 12950,
Indonesia

Philippines

Honeywell International Philippines, Inc.
25th & 26th Floor, The Curve BGC 32nd corner
3rd Avenue, Bonifacio Global City, Taguig City
Philippines 1634

Singapore

Honeywell Pte. Ltd.
17 Changi Business Park Central 1
Honeywell Building, Singapore 486073

Thailand

Honeywell Systems (Thailand) Ltd.
252/121 25th Floor
Muang Thai-Phatra office Tower II
Ratchadapisek Road, Huay Khwang
Bangkok 10320, Thailand

Vietnam

Honeywell Vietnam Co.,Ltd.
Suite 1406-1408, Level 14, Pacific Place Building,
83B Ly Thuong Kiet, Hoan Kiem District, Hanoi
Vietnam

Honeywell Vietnam Co.,Ltd.
Suite 11, 5th Floor, Crescent Plaza,
105 Ton Dat Tien Street, Tan Phu Ward, District 7,
HCMC Vietnam



by Honeywell