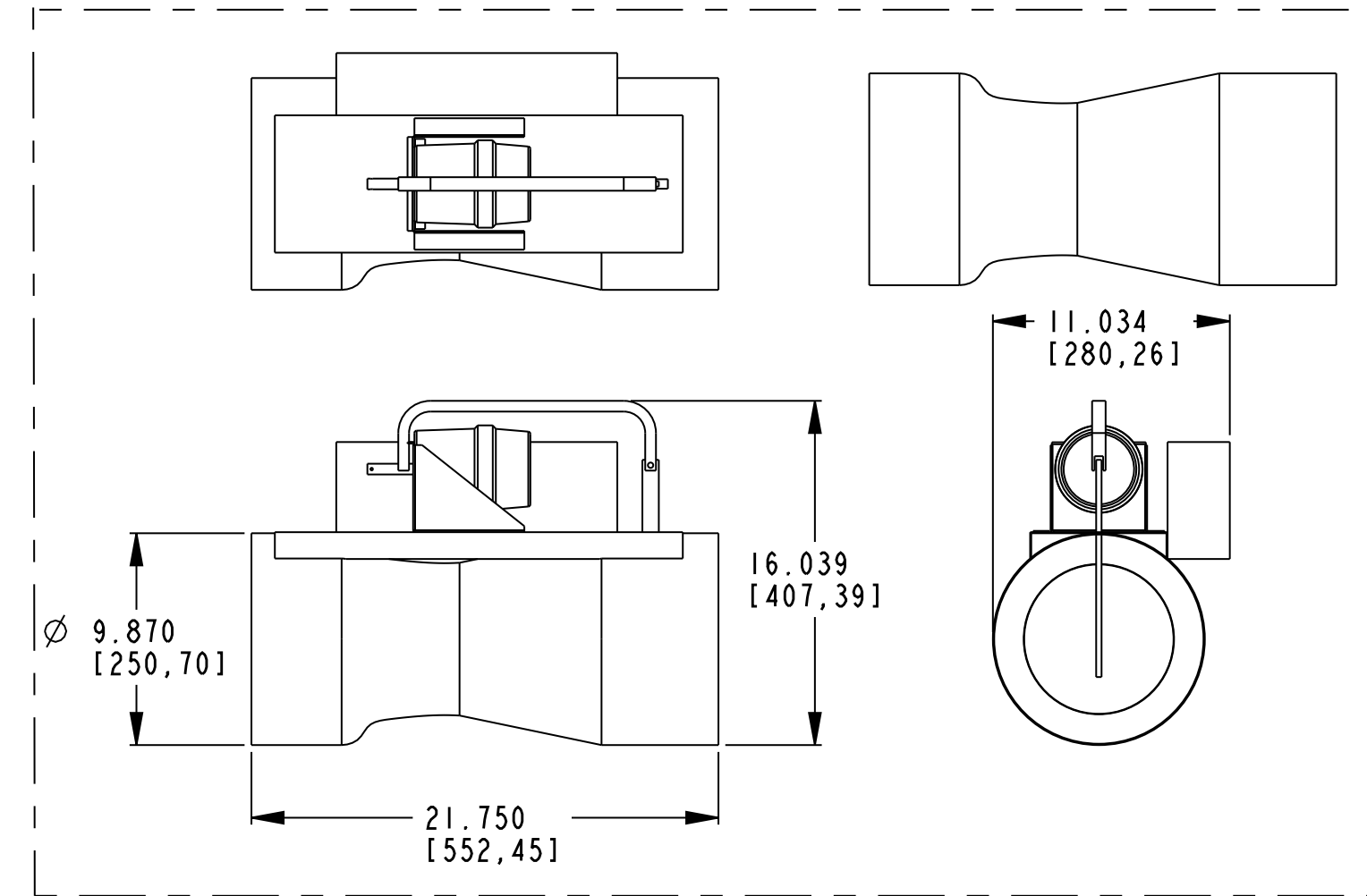
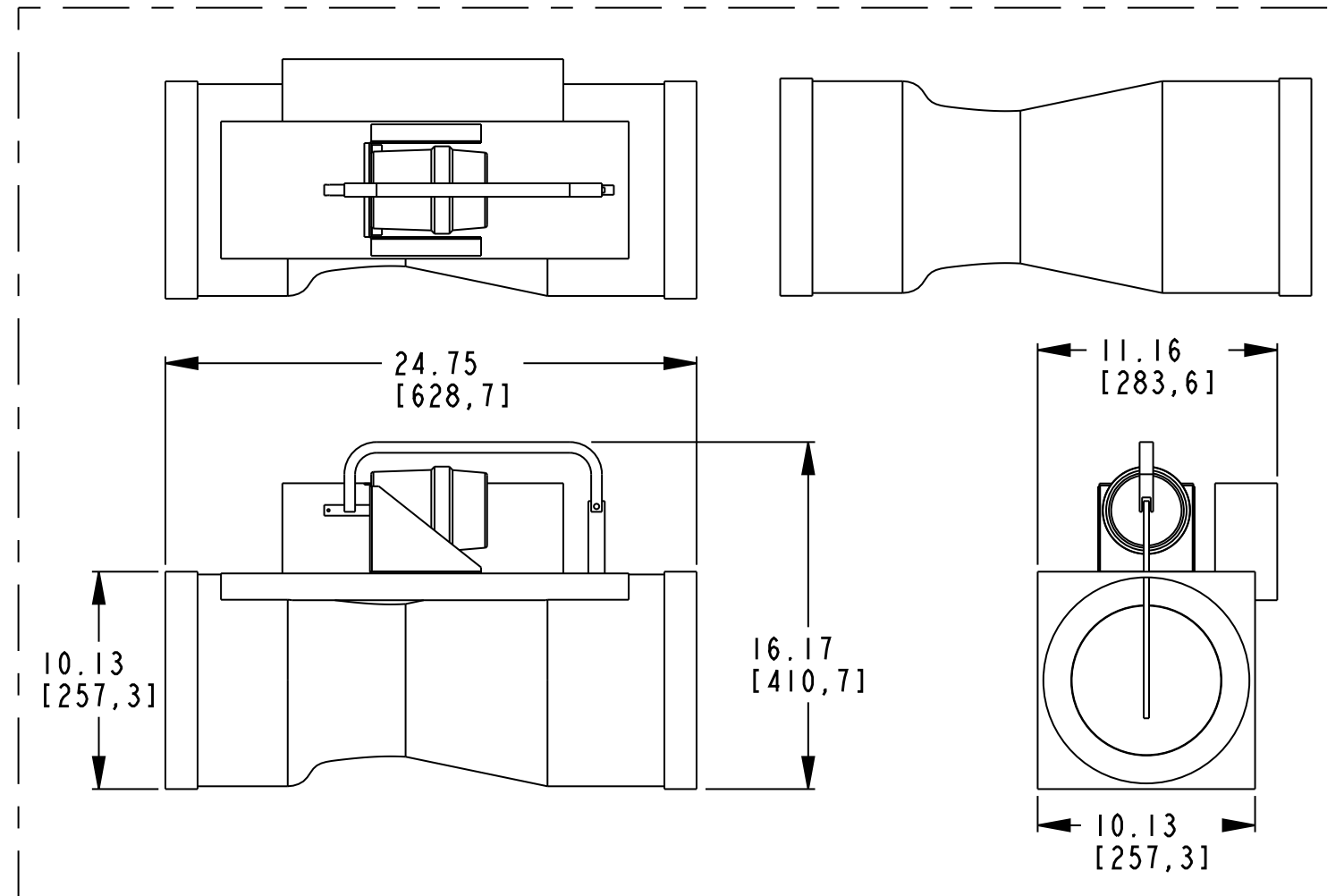


THIS DRAWING AND ALL INFORMATION THEREIN IS THE PROPERTY OF PHOENIX CONTROLS CORP. IS CONFIDENTIAL AND MUST NOT BE MADE PUBLIC OR COPIED AND IS SUBJECT TO RETURN UPON REQUEST.

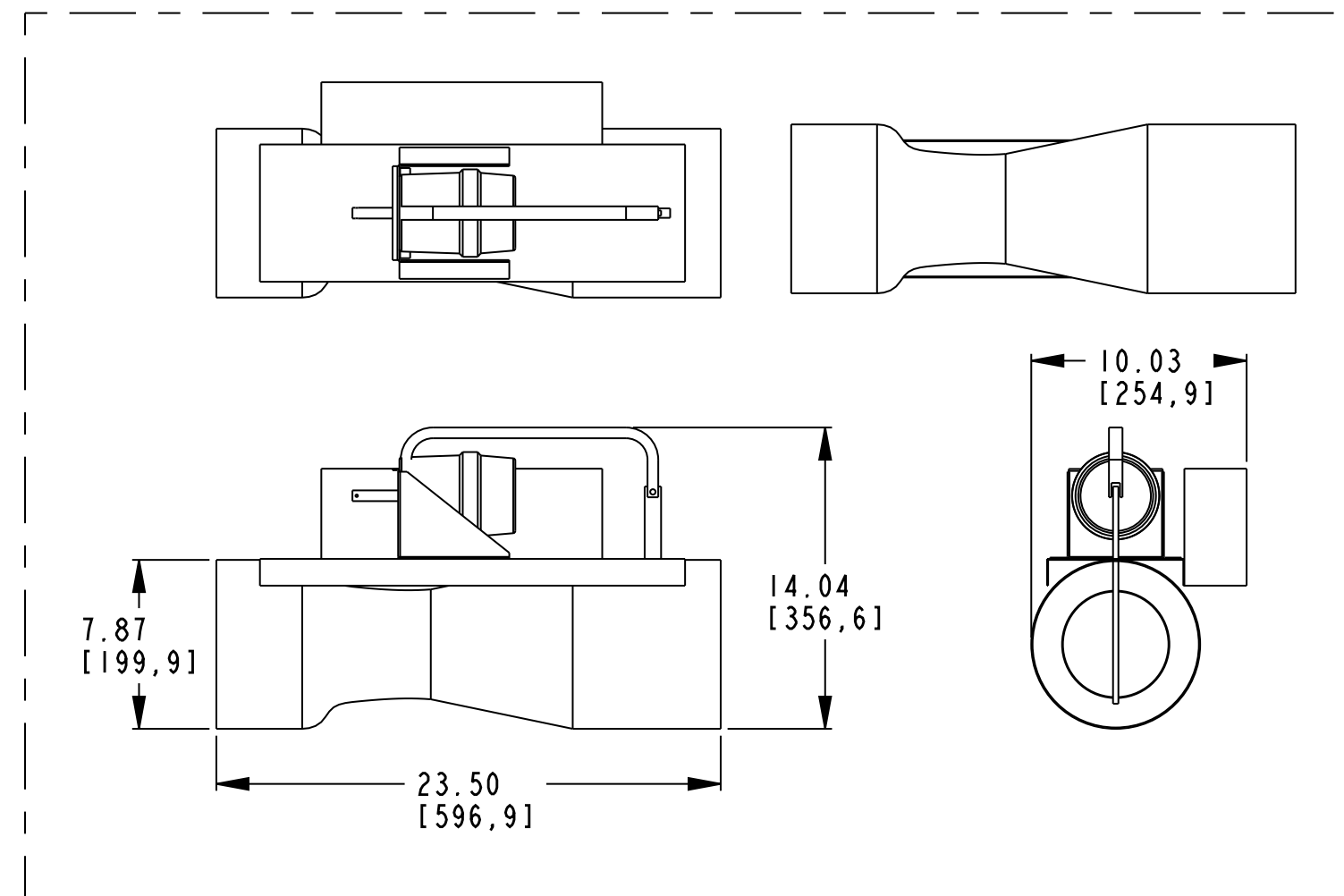
REVISIONS					
REV	ECO	DRFT	DATE	MFG ENGR	ENG
2	-	CLD	11/04/08	DR	CLD



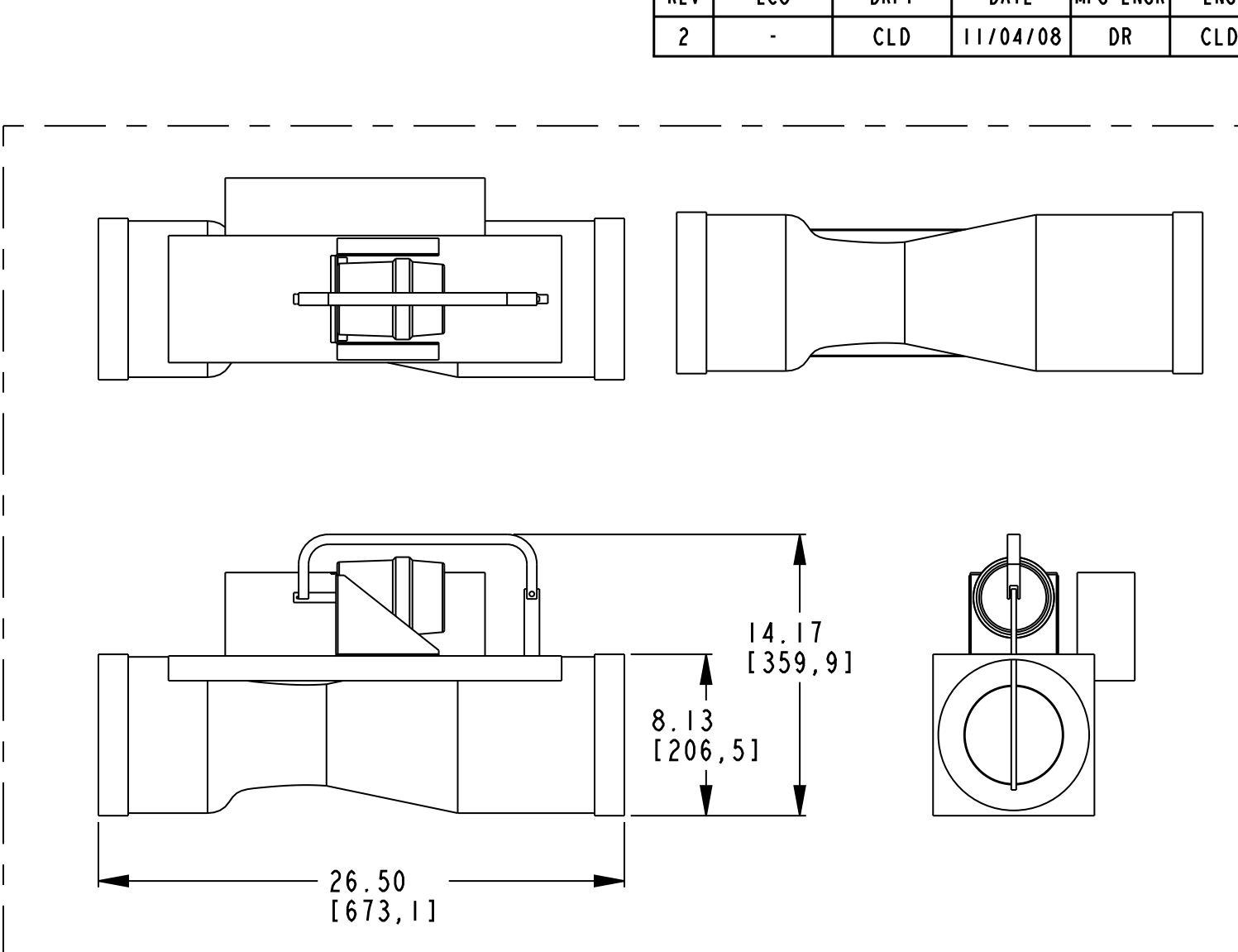
10-IN SINGLE VALVE W/O FLANGE



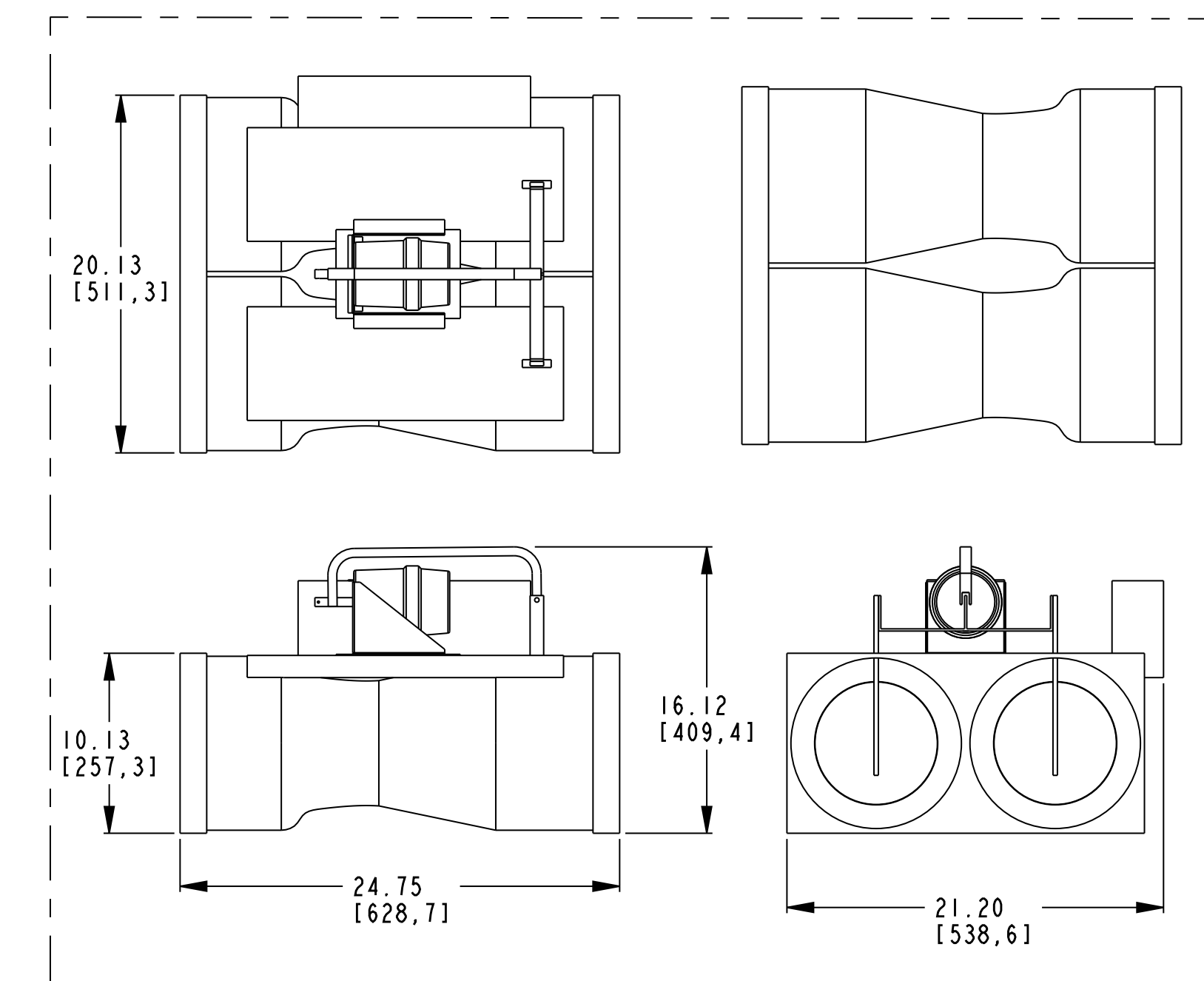
10-IN SINGLE VALVE WITH FLANGE



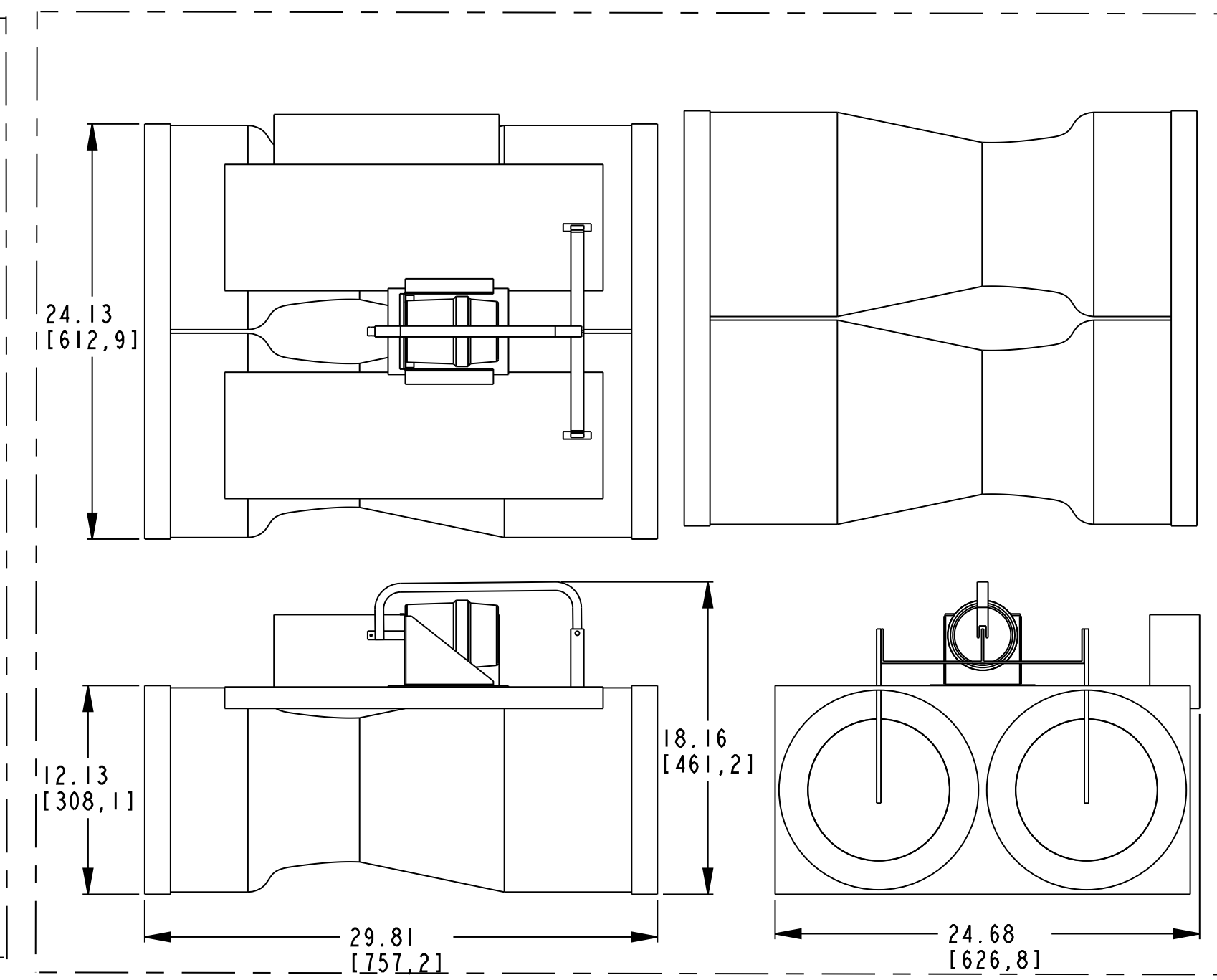
8-IN SINGLE VALVE W/O FLANGE



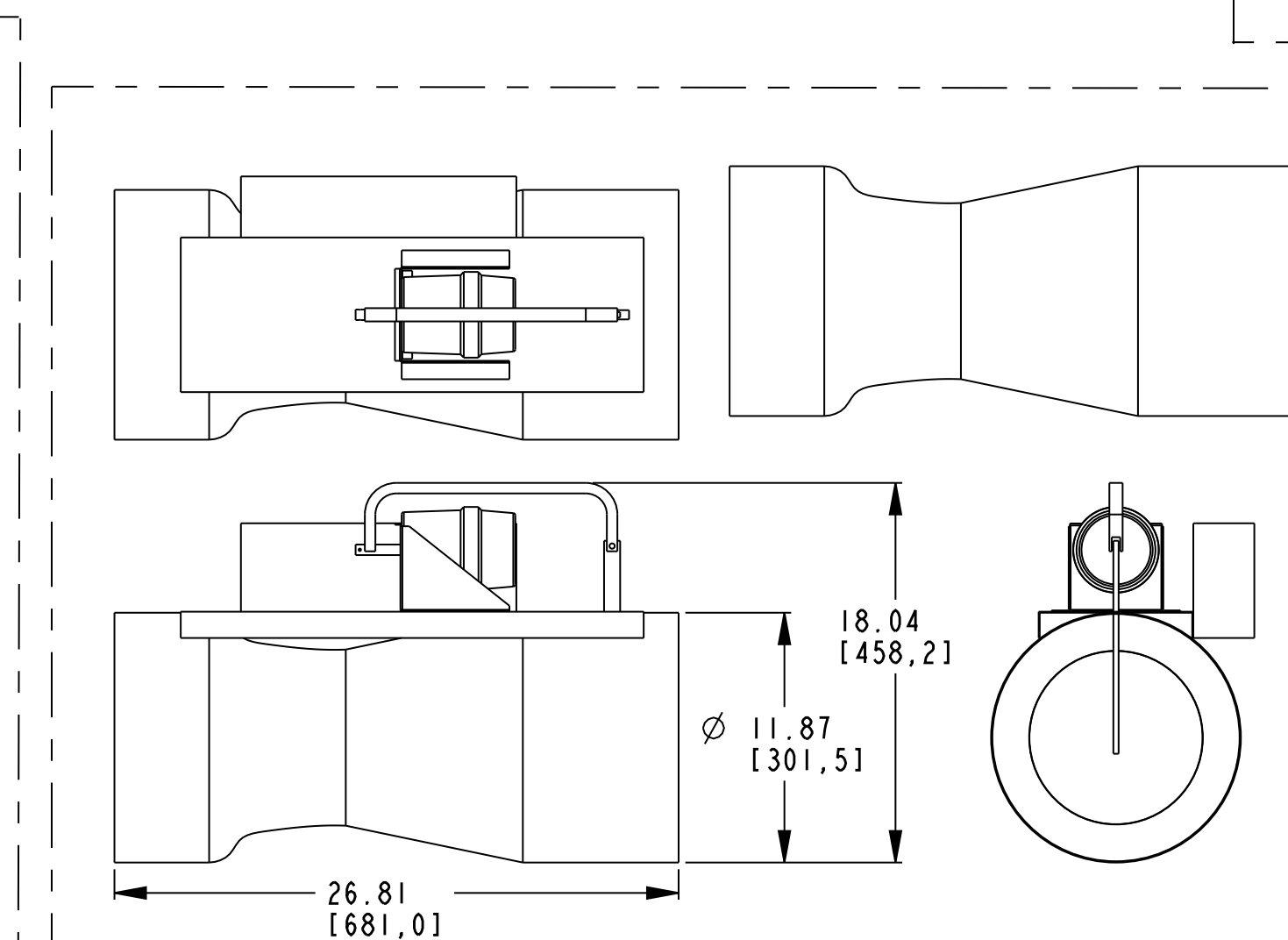
8-IN VALVE WITH FLANGE



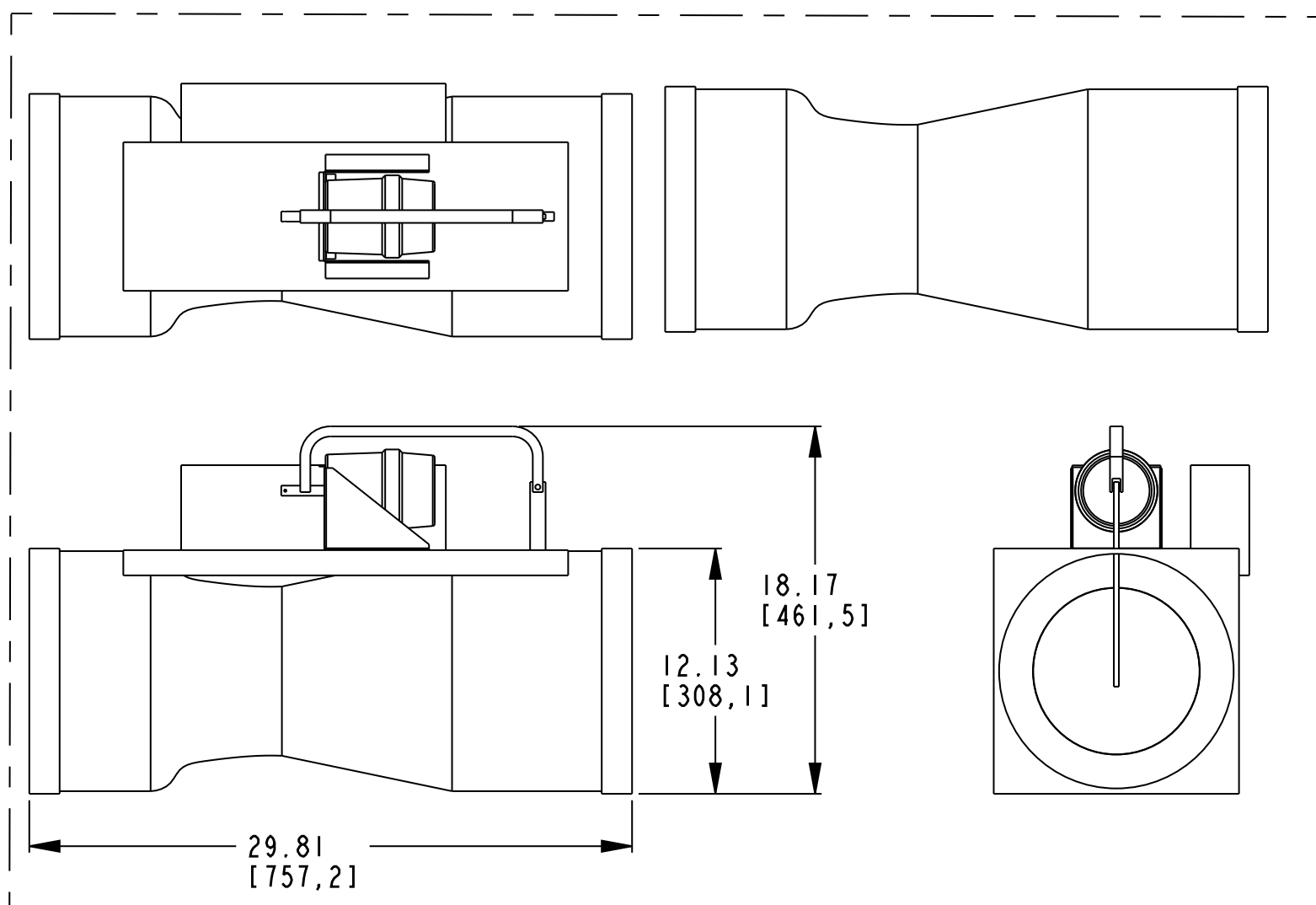
10-IN DUAL VALVE WITH FLANGE



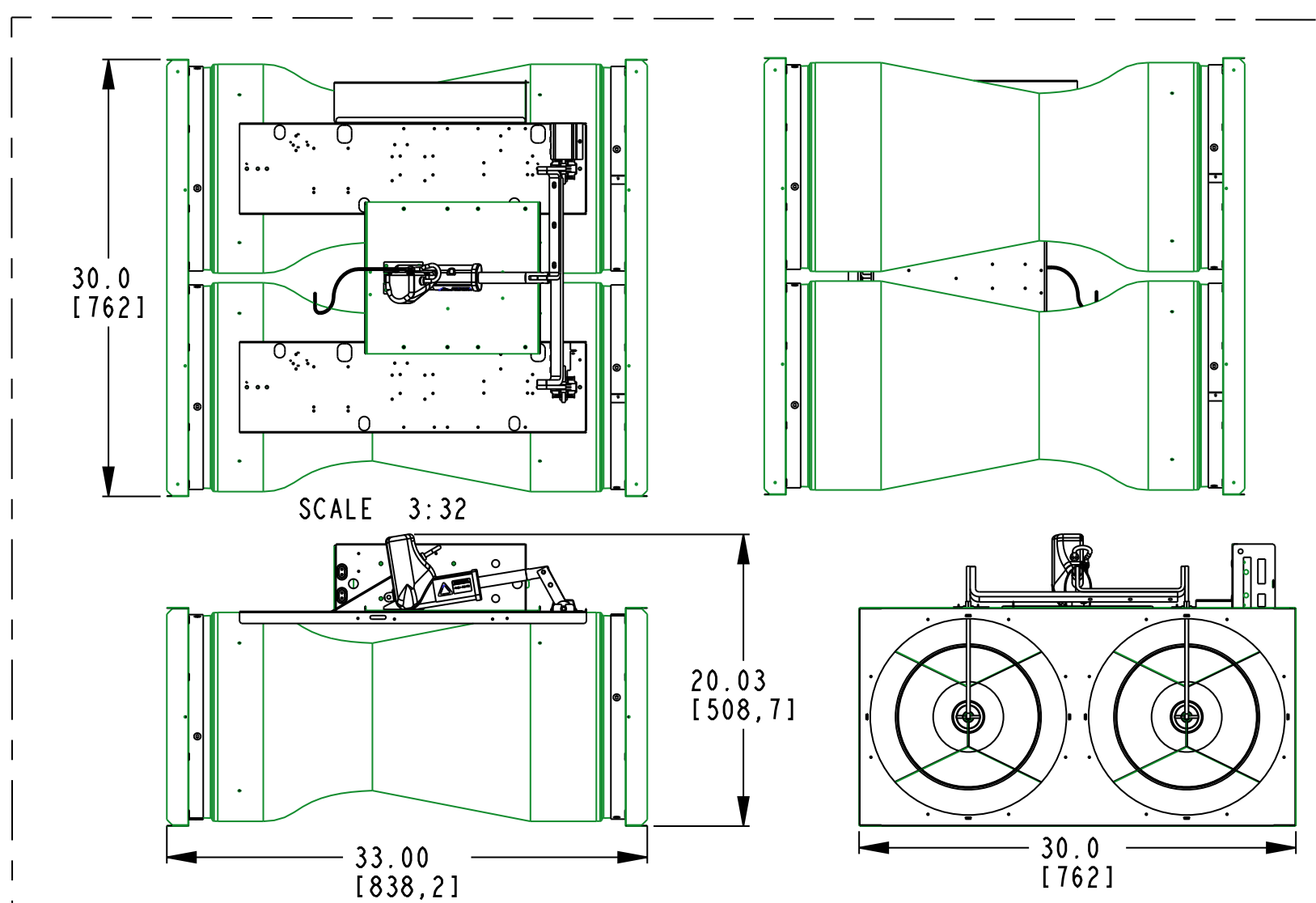
12-IN DUAL VALVE WITH FLANGE



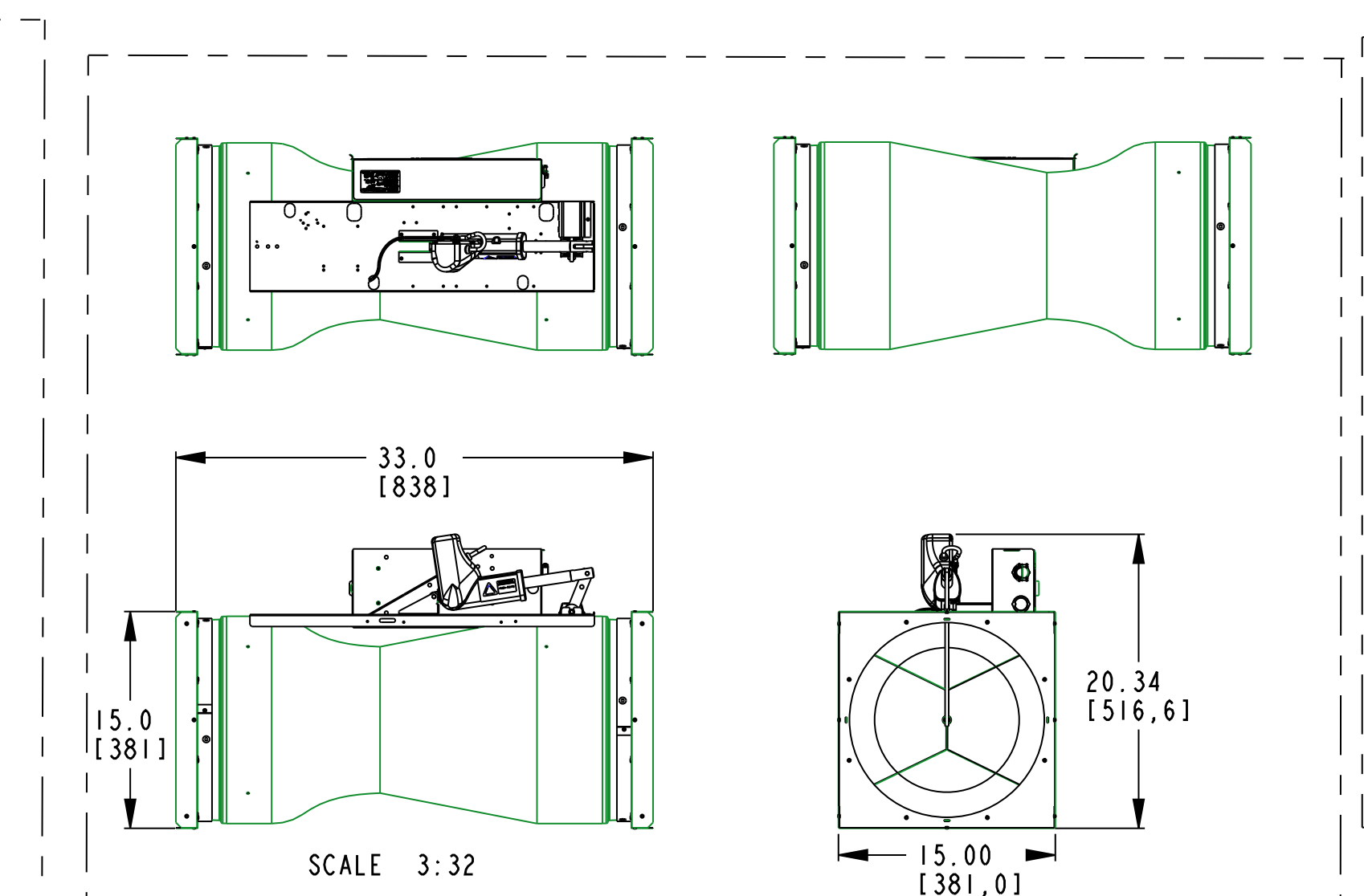
12-IN SINGLE VALVE W/O FLANGE



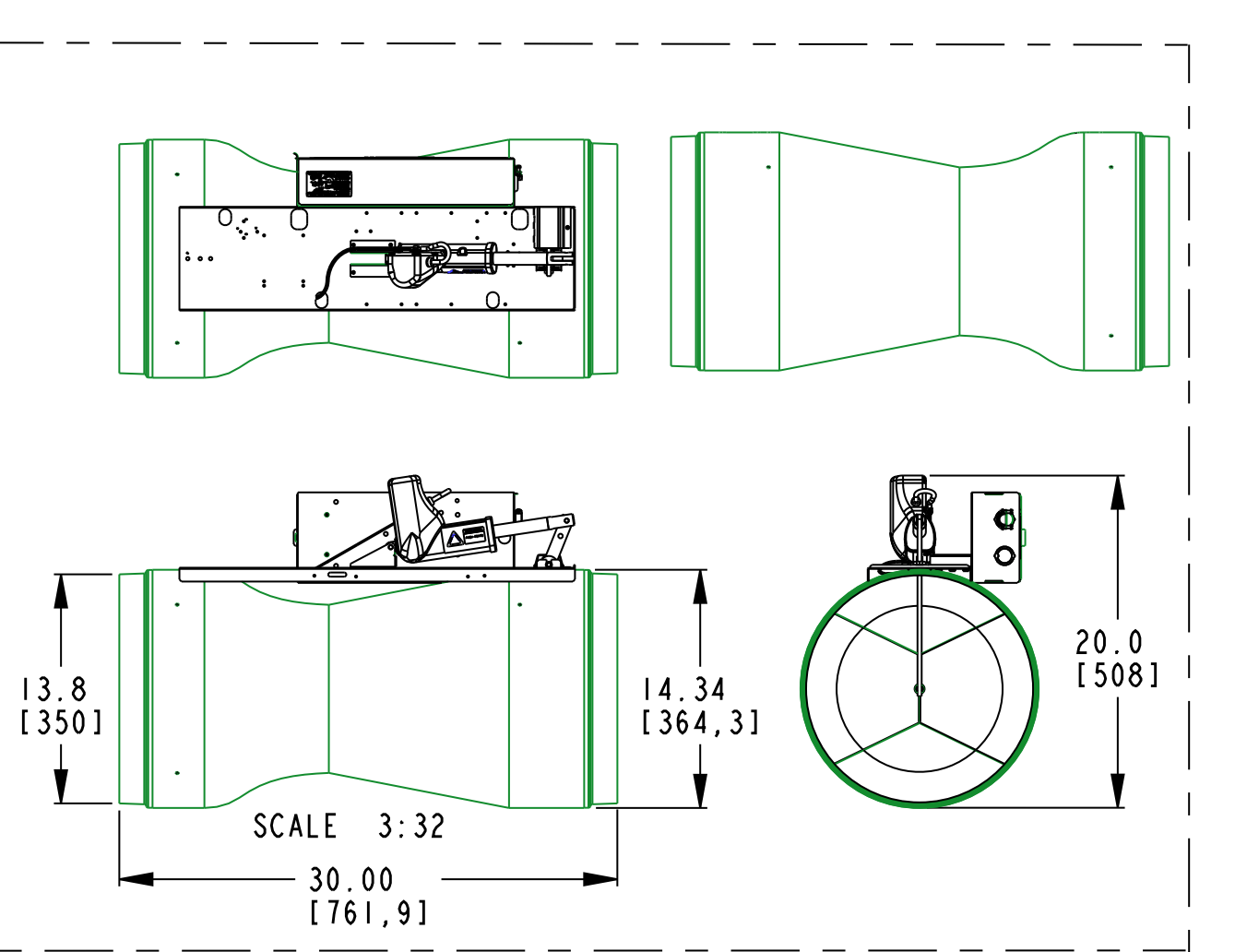
12-IN SINGLE VALVE WITH FLANGE



14-IN DUAL VALVE WITH FLANGE



14-IN SINGLE VALVE WITH FLANGE



14-IN SINGLE VALVE W/O FLANGE

DRAWN: CLD	DATE: 02-13-07	PHOENIX CONTROLS	
ENGINEER: CLD	DATE: 12/13/07	Corporation	
MFG ENGR: DR	DATE: 12/13/07	TITLE	
FILE: 795-100-011R2		DRAWING, CUSTOMER TEMPLATES	
ASSY #:		SIZE DWG NO.	REV.
FINISH:		D 795-100-011	I
		SCALE: 1:8	SHT 1 OF 1